

THIS DRAWING IS UNPUBLISHED. RELEASED FOR PUBLICATION  
 © COPYRIGHT BY TYCO ELECTRONICS CORPORATION. ALL RIGHTS RESERVED.

LOC	DIST	REVISIONS			
P	LTR	DESCRIPTION	DATE	DWN	APVD
FT	0	B	REVISED PER ECO-10-012475	22SEP10	HMR CR

NOTES:

MATERIAL:

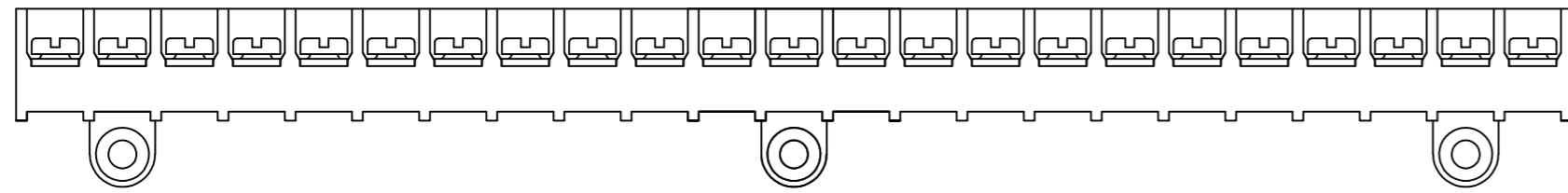
HOUSING; THERMOPLASTIC, UL94V-0 BLACK.  
 TERMINALS; COPPER ALLOY, BRIGHT TIN PLATED.  
 SCREWS; 6-32, STEEL, ZINC PLATED WITH CLEAR CHROMATE.

ELECTRICAL:

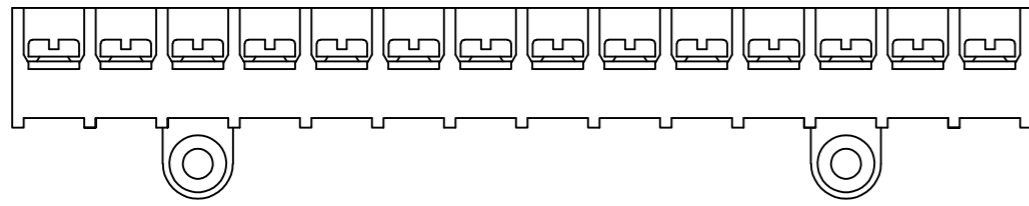
MAXIMUM CURRENT; 25A.  
 OPERATING VOLTAGE; 300V.  
 WIRE RANGE; 12-22 AWG.  
 RECOMMENDED TIGHTENING TORQUE; 7 IN-LBS.

ENVIRONMENT:

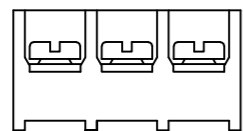
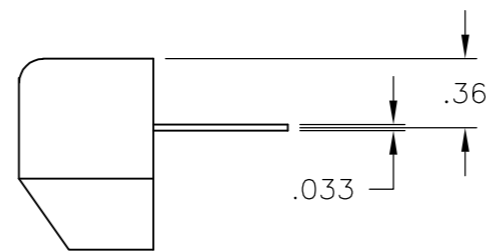
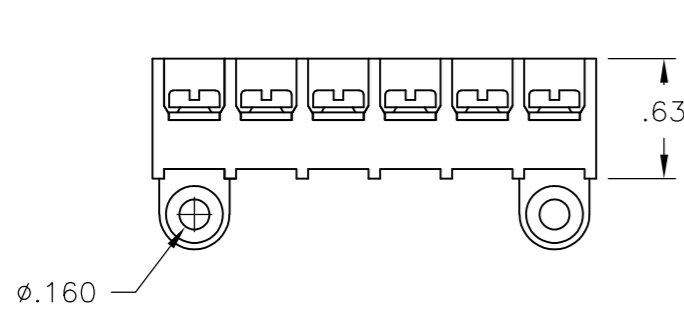
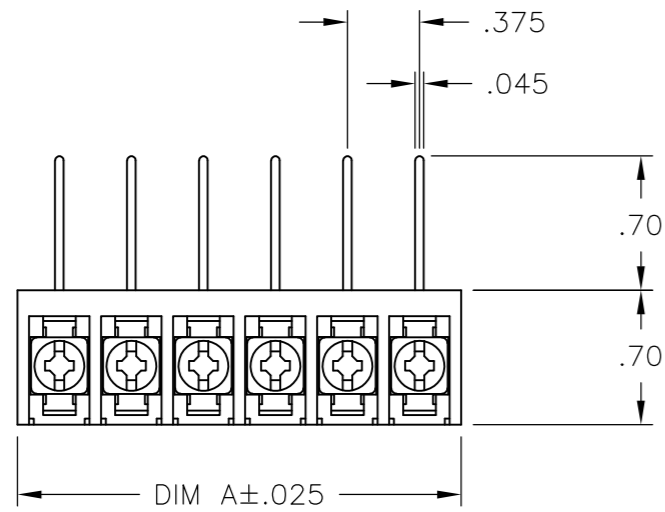
OPERATING TEMP; +105°C.



2-1546159-1



2-1546159-0



1-1546159-6

DIM. 'A'	NO. OF POS.	CATALOG NUMBER	TE PART NO.
11.311	30	6WWR-30-006	1546815-2
10.936	29	6WWR-29-006	1546815-1
10.561	28	6WWR-28-006	2-796612-6
10.186	27	6WWR-27-006	2-796612-5
9.811	26	6WWR-26-006	2-796612-4
9.436	25	6WWR-25-006	2-796612-3
9.061	24	6WWR-24-006	2-796612-2
8.686	23	6WWR-23-1096	2-1546159-1
8.686	23	6WWR-23-006	2-796612-1
8.311	22	6WWR-22-006	2-796612-0
7.936	21	6WWR-21-006	1-796612-9
7.561	20	6WWR-20-006	1-796612-8
7.186	19	6WWR-19-006	1-796612-7
6.811	18	6WWR-18-006	1-796612-6
6.436	17	6WWR-17-006	1-796612-5
6.061	16	6WWR-16-006	1-796612-4
5.686	15	6WWR-15-006	1-796612-3
5.311	14	6WWR-14-984	2-1546159-0
5.311	14	6WWR-14-006	1-796612-2
4.936	13	6WWR-13-006	1-796612-1
4.561	12	6WWR-12-006	1-796612-0
4.186	11	6WWR-11-006	796612-9
3.811	10	6WWR-10-006	796612-8
3.436	9	6WWR-09-006	1-1546159-8
3.061	8	6WWR-08-006	796612-3
2.686	7	6WWR-07-006	796612-7
2.311	6	6WWR-06-006	796612-6
1.936	5	6WWR-05-006	3-1437655-1
1.561	4	6WWR-04-006	796612-4
1.186	3	6WWR-03-693	1-1546159-6
1.186	3	6WWR-03-006	1-1546159-5
.811	2	6WWR-02-006	796612-5

SEE FIGURE

SEE FIGURE

SEE FIGURE

THIS DRAWING IS A CONTROLLED DOCUMENT.		DWN M.S. FEHER 30APR2004	Tyco Electronics Corporation Harrisburg, Pa 17105-3608	
DIMENSIONS: INCHES	TOLERANCES UNLESS OTHERWISE SPECIFIED:	CHK S. YODER 30APR2004	NAME 6WWR-XX-006 ASSEMBLY	
	0 PLC ± -	APVD S. YODER 30APR2004	SIZE A2	CAGE CODE 00779
	1 PLC ± -	PRODUCT SPEC	DRAWING NO C-3-1437655-1	RESTRICTED TO
	2 PLC ± .02	APPLICATION SPEC	SCALE 1:1	SHEET 1 OF 1
	3 PLC ± .010	WEIGHT	REV B	
	4 PLC ± -	CUSTOMER DRAWING		
	ANGLES ± 1°			
MATERIAL	FINISH			