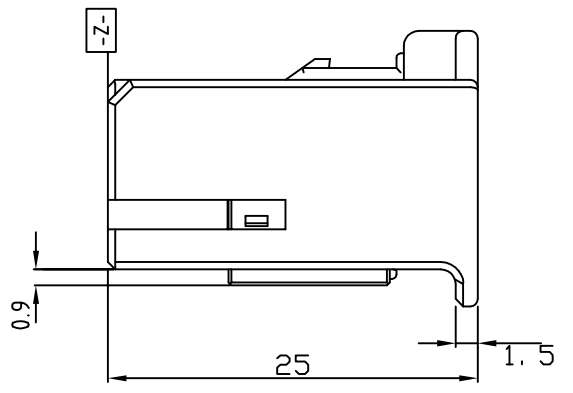
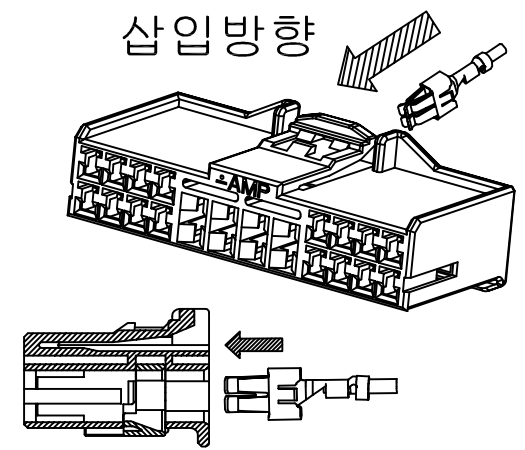
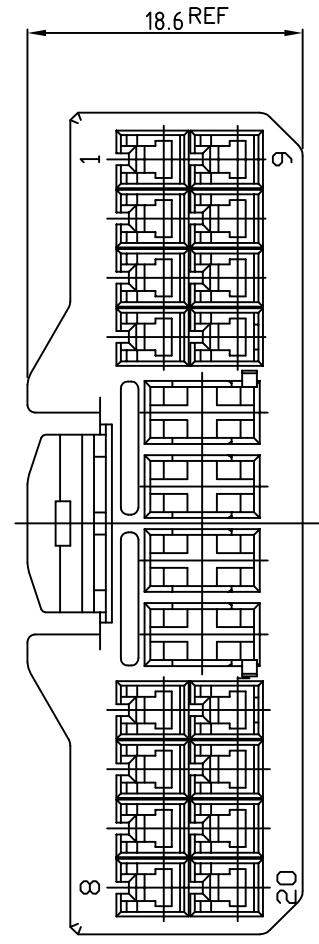
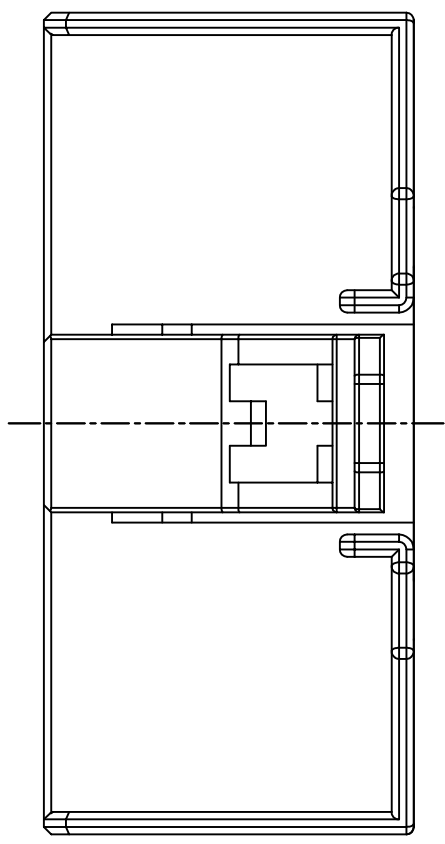
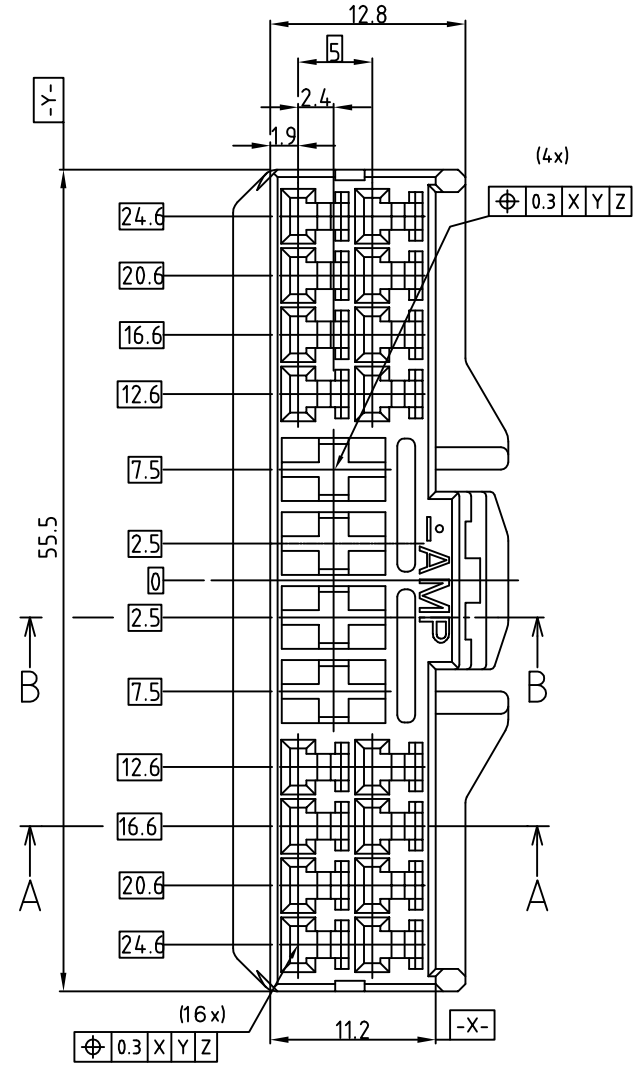
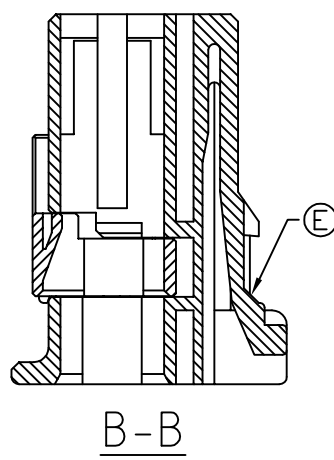
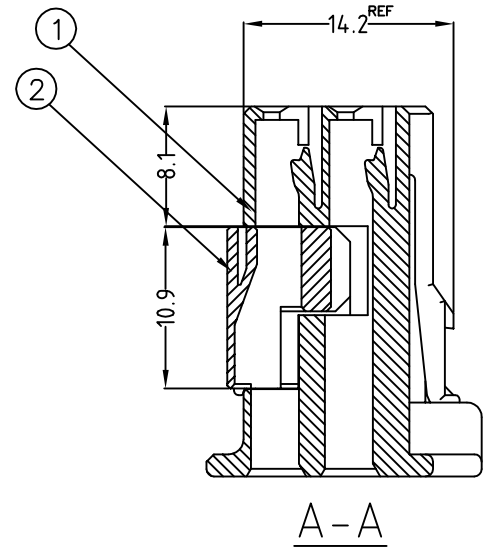


THIS DRAWING IS UNPUBLISHED. RELEASED FOR PUBLICATION  
 © COPYRIGHT BY TYCO ELECTRONICS CORPORATION, ALL RIGHTS RESERVED.

LOC	DIST	REVISIONS					
		P	LTR	DESCRIPTION	DATE	DWN	APVD
DS	-		D2	REVISED (ECR-09-019350)	31.AUG.'09	KT	HG
			E	REVISED (ECR-10-014220)	11.AUG.'10	SJ	HG
			E1	REVISED (ECR-12-019821)	15.NOV.'12	JM	HG



**NOTE**  
 1. APPLIED CONTACT P/N;  
 090 II- 368083, 368084, 368085  
 090 III- 1743654, 1743655, 1743656  
 S.P.T.- 927840-2, 927831-2, 927827-2, 927829-2, 964203-1, 964204-1  
 2. APPLICABLE PRODUCT SPEC NO. ; 108-61046  
 -추가-  
 1. 적용단자 P/N. ; 090 II - 368083, 368084, 368085  
 090 III - 1743654, 1743655, 1743656  
 S.P.T. - 927840-2, 927831-2, 927827-2, 927829-2, 964203-1, 964204-1  
 2. 적용제품 규격서 ; 108-61046



ASS'Y P/N	DESCRIPTION
368457-4	090/250 HYB 20P PLUG ASS'Y
368457-1	090/250 HYB 20P PLUG ASS'Y

NO.	COLOR	MATERIAL	DESCRIPTION	QTY
2	NATURAL	PBT	DBL HSG	1
1	BROWN	PBT	PLUG HSG	1
	NATURAL	PBT	PLUG HSG	1

DIMENSIONS: MM 		TOLERANCES UNLESS OTHERWISE SPECIFIED: 0 <XX<10 ± 0.2 10<XX<30 ± 0.25 30<XX ± 0.3 ANGLES ± 3°		DWN JM JEON CHK JW JUNG APVD HG CHD PRODUCT SPEC - APPLICATION SPEC - WEIGHT -			
MATERIAL SEE TABLE		FINISH		NAME		090/250 HYB 20P PLUG HSG ASS'Y	
CUSTOMER DRAWING		SCALE 2/1		SIZE A3		CAGE CODE 00779	
		SHEET 1 OF 1		DRAWING NO. C-368457		RESTRICTED TO -	
				REV E1			