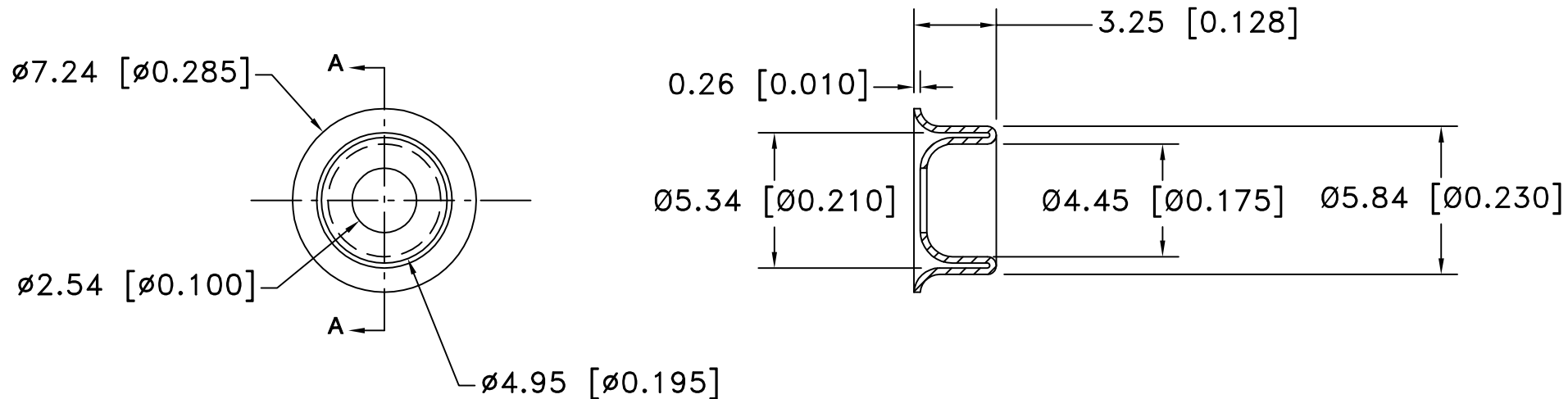



Date	SYM	REVISION RECORD	AUTH	DR.	CK.
4/15/06	A	ADDED "ROHS COMPLIANT"	T.B.	B.S.	



NOTES:

MATERIAL: BRASS, NICKLE PLTD.
ROHS COMPLIANT

Tolerance (Except as noted)	 Memory Protection Devices, Inc 200 Broad Hollow Road, Farmingdale, New York 11735		
decimal ±.5 (.020)		Scale	Drawn By B.S.
Fractional ± .8 (.030)	Title BATTERY SNAP MALE		
Angular ± 3°	Date 4/15/06	Drawing Number BSM	