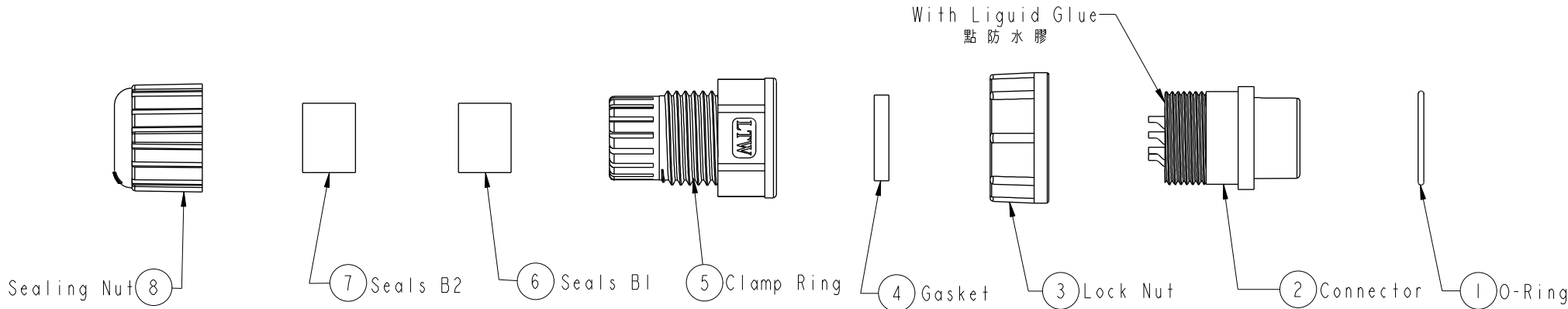


THIS DOCUMENT IS SUBJECT TO CHANGE WITHOUT NOTICE. IT IS CONFIDENTIAL AND A PROPERTY OF AMPHENOL LTW. DISCLOSURE TO THIRD PARTY HAS TO BE AUTHORIZED BY AMPHENOL LTW.

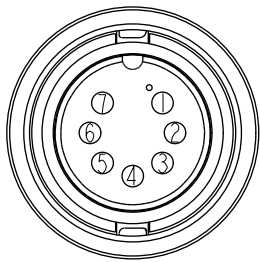
REV.	ECN NO.	DATE	SIGN	DESCRIPTION
B	LEN-0C0090	2010/11/23	IVNA	Change View
C	LEN1260007	2012/05/30	Vicky	Modify Note.



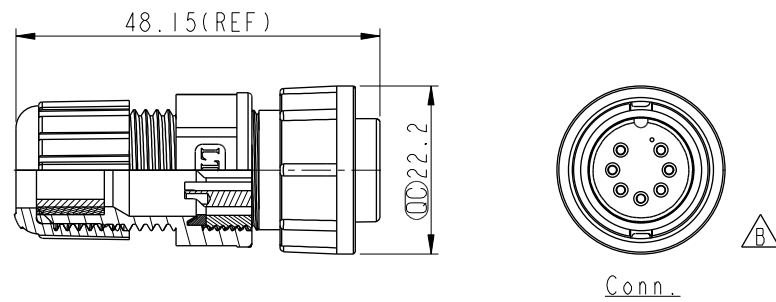
ALTW
CONFIDENTIAL
2012-06-04
R&D DEPT.

ALTW DCC.
2012.06.11
ISSUED

- Note:
- * \varnothing Important Dimension To Check.
 - * Waterproof Rate: IP67
 - * Housing: Nylon+GF, Black.
 - * Female Pin: Copper Alloy, Gold Plated.
 - * O-Ring: EPDM, Black.
 - * Lock Nut: Nylon+GF, Black.
 - * $\triangle C$ * Gasket: Silicone, Black.
 - * $\triangle C$ * Seals: EPDM, Black.
 - * Clamp Ring: Nylon, Black.
 - * Sealing Nut: Nylon, Black.
 - * Seals B1 for Cable OD: $\varnothing 7.6\text{mm} \sim \varnothing 9.6\text{mm}$
 - * Seals B2 for Cable OD: $\varnothing 4.0\text{mm} \sim \varnothing 7.6\text{mm}$
 - * One Set Unassembled In One PE Bag.



Pin Assignments
Front View



UNIT: mm		
TOLERANCE	.X ± 0.25	.XX ± 0.1
	.XXX ± 0.05	ANGLES $\pm 1^\circ$

TITLE Middle, Assy Lock 7Pin F Conn F Pin			
SCALE 1:1	SIZE A4	SHEET 1 OF 1	
REV. C	WC-REV. A.3	\varnothing : Inspection item	

Amphenol LTW
安費諾亮泰企業股份有限公司

ITEM NO. CD-07BFFA-LL7001	DRAWN BY SamChang	DATE 2012-04-10
DWG NO. CD-07BFFA-LL7001	CHECKED BY Vicky	DATE 2012-06-04
CUSTOMER ALTW	APPROVED BY Lion	DATE 2012-06-04