

THIS DRAWING IS UNPUBLISHED. RELEASED FOR PUBLICATION
 © COPYRIGHT BY TYCO ELECTRONICS CORPORATION. ALL RIGHTS RESERVED.

REVISIONS				DATE	DWN	APVD
P	LTR	DESCRIPTION				
	A1	REVISED PER ECO-10-009056	09AUG10	HMR	CR	

PHYSICAL PROPERTIES:
 HOUSING MATERIAL: PBT
 FLAMMABILITY: UL94V-0
 COLOR: BLACK
 MAX BOW/WARP: .0056 IN/IN.

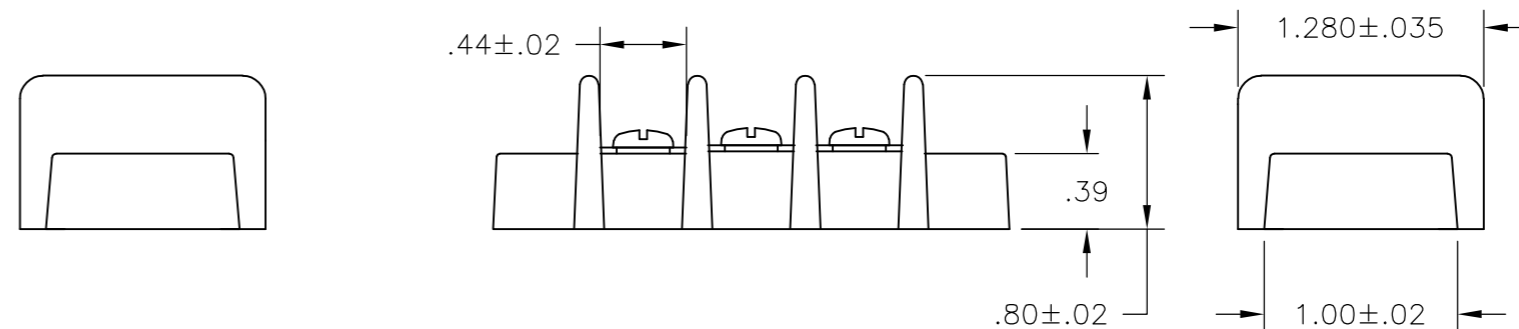
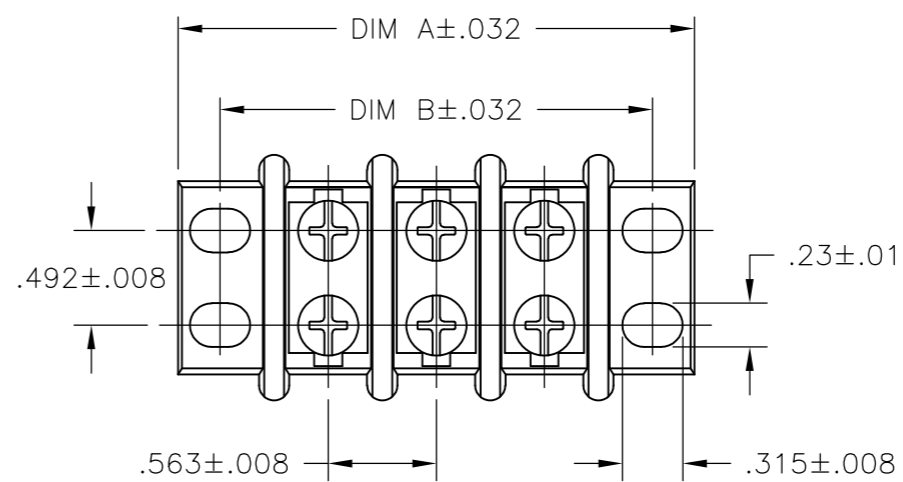
TERMINAL:
 TERMINALS: BRASS, TIN PLATED. (UNLESS OTHERWISE STATED)
 SCREWS: 8-32 STEEL, NICKEL PLATED. (UNLESS OTHERWISE STATED)
 Q.C. TABS: BRASS, NICKEL PLATED.

MECHANICAL:
 PITCH (TERMINAL SPACING): .563"
 WIRE RANGE: 10-22 AWG
 RECOMMENDED TIGHTENING TORQUE: 14IN-LBS MAX.

ELECTRICAL PROPERTIES:
 MAXIMUM CURRENT: 30A
 OPERATING VOLTAGE: 600V

ENVIRONMENTAL PROPERTIES:
 OPERATING TEMP RANGE: -40° TO +120°C

- 1 NICKEL PLATED BRASS SCREWS.
- 2 PRELIMINARY PART NUMBER.



-	-	-	-	-	-	-	-	-	10.701	11.138	18	1-1776544-8
-	-	-	-	-	-	-	-	-	10.138	10.575	17	1-1776544-7
-	-	-	-	-	-	-	-	-	9.575	10.012	16	1-1776544-6
-	-	-	-	-	-	-	-	-	9.012	9.449	15	1-1776544-5
2	-	-	-	-	-	-	-	-	8.449	8.886	14	2-1776544-4
-	-	-	-	-	-	-	-	-	8.449	8.886	14	1-1776544-4
-	-	-	-	-	-	-	-	-	7.886	8.323	13	1-1776544-3
-	-	-	-	-	-	-	-	-	7.323	7.760	12	1-1776544-2
2	-	-	-	-	-	-	-	-	6.760	7.179	11	2-1776544-3
-	-	-	-	-	-	-	-	-	6.760	7.179	11	1-1776544-1
2	-	-	-	-	-	-	-	-	6.197	6.634	10	2-1776544-2
-	-	-	-	-	-	-	-	-	6.197	6.634	10	1-1776544-0
-	-	-	-	-	-	-	-	-	5.634	6.071	9	1776544-9
2	-	-	-	-	-	-	-	-	5.071	5.508	8	2-1776544-5
-	-	-	-	-	-	-	-	-	5.071	5.508	8	1776544-8
-	-	-	-	-	-	-	-	-	4.508	4.945	7	1776544-7
2	-	-	-	-	-	-	-	-	3.945	4.382	6	2-1776544-1
-	-	-	-	-	-	-	-	-	3.945	4.382	6	1776544-6
-	-	-	-	-	-	-	-	-	3.382	3.819	5	1776544-5
2	-	-	-	-	-	-	-	-	2.819	3.256	4	2-1776544-0
-	-	-	-	-	-	-	-	-	2.819	3.256	4	1776544-4
2	-	-	-	-	-	-	-	-	2.256	2.693	3	1-1776544-9
-	-	-	-	-	-	-	-	-	2.256	2.693	3	1776544-3
-	-	-	-	-	-	-	-	-	1.693	2.130	2	1776544-2
NOTES	8 .250 QC TAB 90° DOUBLE SIDE	7 .250 QC TAB 90°/45° DOUBLE SIDE	6 .250 QC TAB 90° DOUBLE SIDE	5 .250 QC TAB 45° DOUBLE SIDE	4 .250 QC TAB STRAIGHT DOUBLE SIDE	3 .250 QC TAB 90° SINGLE SIDE	2 .250 QC TAB 45° SINGLE SIDE	1 .250 QC TAB STRAIGHT SINGLE SIDE	DIM B	DIM A	NO. OF POSN	PART NUMBER

THIS DRAWING IS A CONTROLLED DOCUMENT.

DWN	S SCHLEGEL	2/21/07
CHK	S YODER	2/21/07
APVD	S YODER	2/21/07

TOLERANCES UNLESS OTHERWISE SPECIFIED:
 0 PLC ± -
 1 PLC ± -
 2 PLC ± -
 3 PLC ± -
 4 PLC ± -
 ANGLES ± -

MATERIAL: - FINISH: -

Customer Drawing

Scale: NTS SHEET 1 OF 1 REV A1

Tyco Electronics Corporation
 Harrisburg, PA 17105-3608

14.3 (.563) DBL ROW BARRIER STRIP
 W/O WASHER, 600v

SIZE: A2 CAGE CODE: 00779 DRAWING NO: 1776544 RESTRICTED TO: -