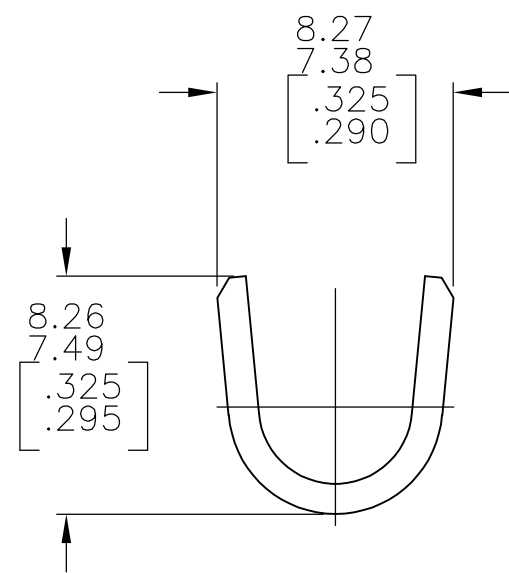
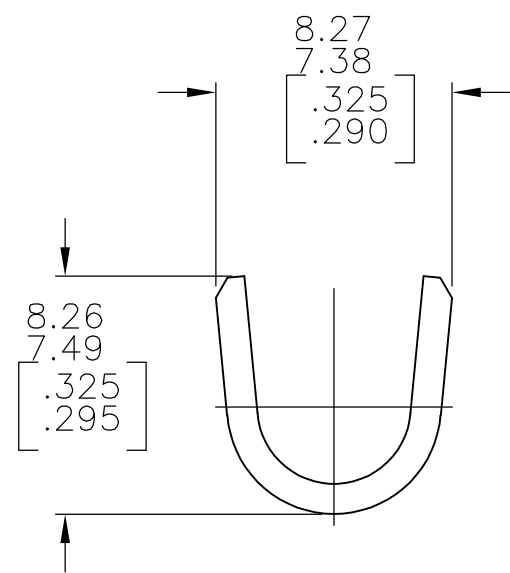
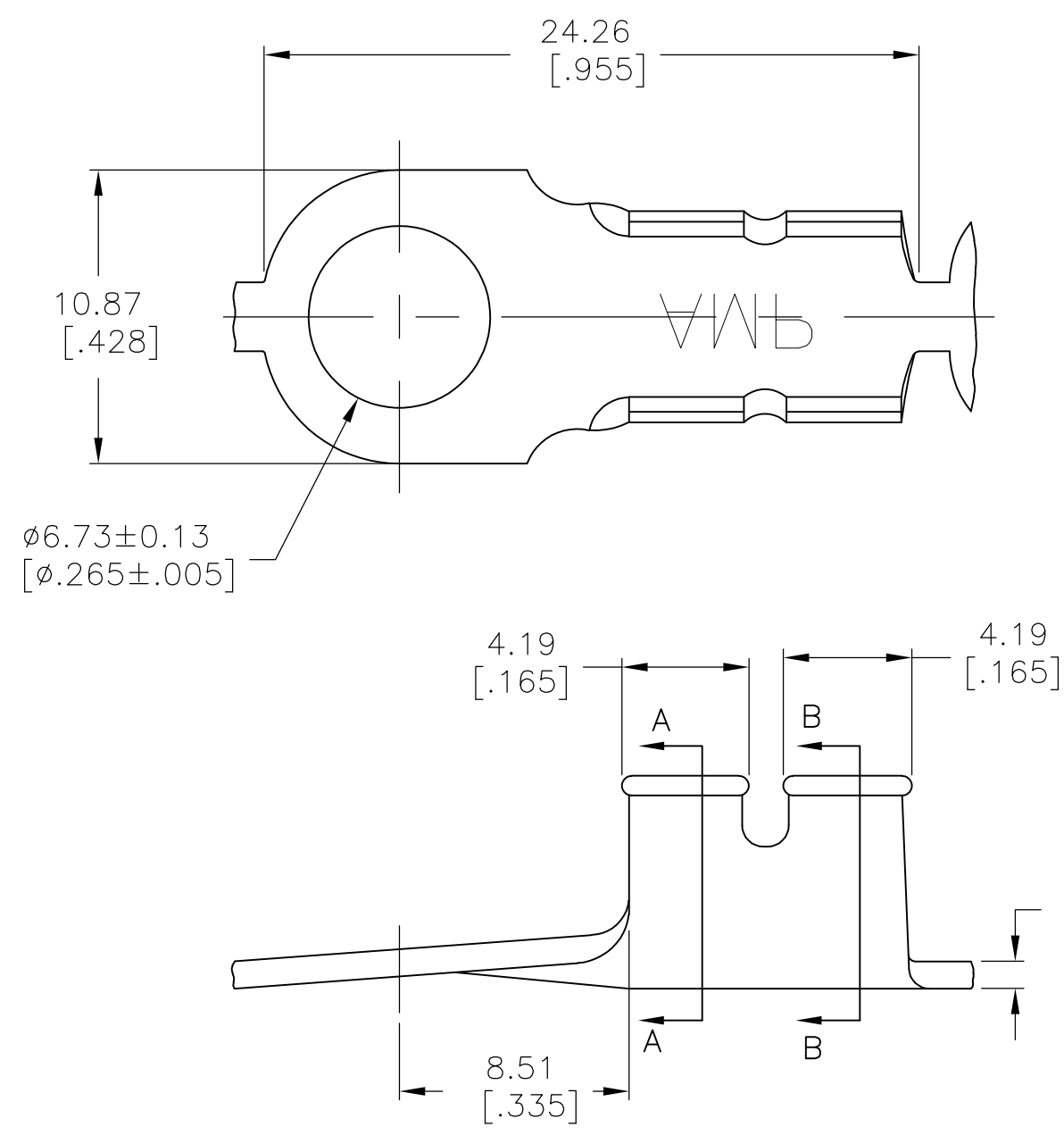


THIS DRAWING IS UNPUBLISHED. RELEASED FOR PUBLICATION  
 © COPYRIGHT BY TYCO ELECTRONICS CORPORATION. ALL INTERNATIONAL RIGHTS RESERVED.

LOC	DIST	REVISIONS					
AF	50	P	LTR	DESCRIPTION	DATE	DWN	APVD
		H1		REVISED PER ECR-09-001244	05MAR09	HMR	JR



1 CONTINUOUS STRIP ON REELS

1.00 ± 0.03  
 [.0395 ± .001]

8	1/4	40797
WIRE SIZE A.W.G	STUD	TERMINAL NUMBER

THIS DRAWING IS A CONTROLLED DOCUMENT.		DWN RAGHAVENDRA 05MAR09	Tyco Electronics Corporation Harrisburg, PA 17105-3608	
DIMENSIONS: mm [INCHES]	TOLERANCES UNLESS OTHERWISE SPECIFIED:	CHK JEFF RUTH 05MAR09	NAME	
	0 PLC ± -	APVD DON DECKER 05MAR09	RING	
	1 PLC ± -	PRODUCT SPEC	-	
	2 PLC ± -	APPLICATION SPEC	-	
	3 PLC ± 0.38 [.015]	WEIGHT	-	
	4 PLC ± -	CUSTOMER DRAWING	SIZE A3	CAGE CODE 00779
MATERIAL BRASS	FINISH NONE		DRAWING NO C-40797	RESTRICTED TO -
			SCALE 4:1	SHEET 1 OF 1
				REV H1