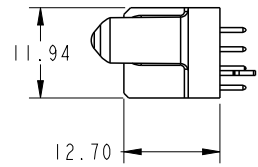
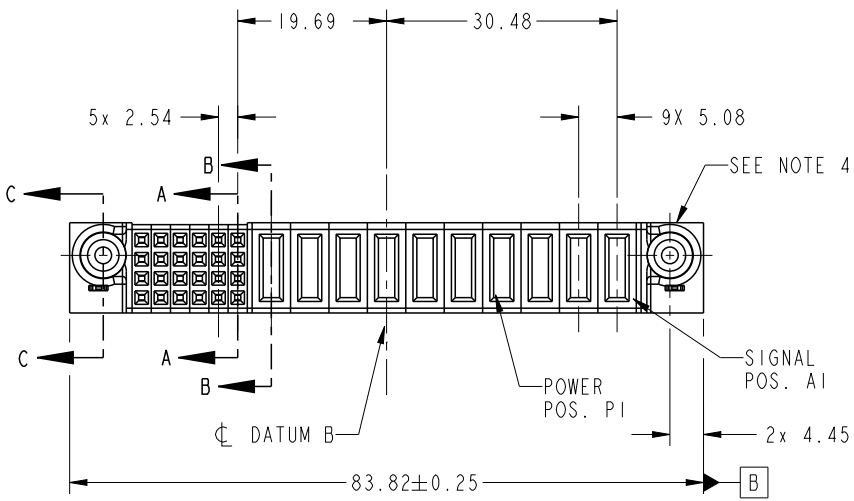


PRODUCT NO.	ROWS	SIGNAL					POWER							E1				
		E2	6	5	4	3	2	1	P10	P9	P8	P7	P6		P5	P4	P3	P2
51940-475-- NOTE: 3	D C B A		E	E	E	E	E	PA	X	PA	PA	PA	PA	PA	X	X	PA	



CODE	DIM "M" MATING LENGTH	CONTACT TYPE
E	[N/A]	SIGNAL
PA	[1.07]	POWER
HA	[N/A]	HOLD-DOWN
X	[N/A]	OMITTED

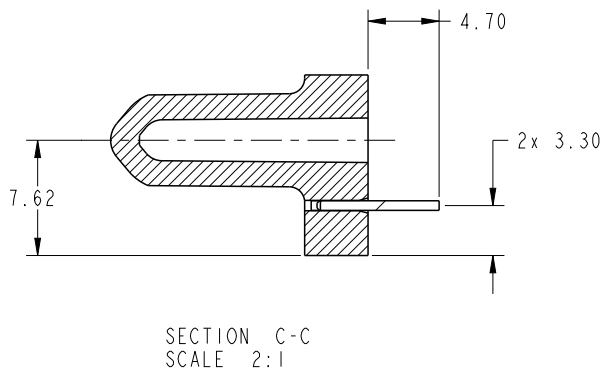
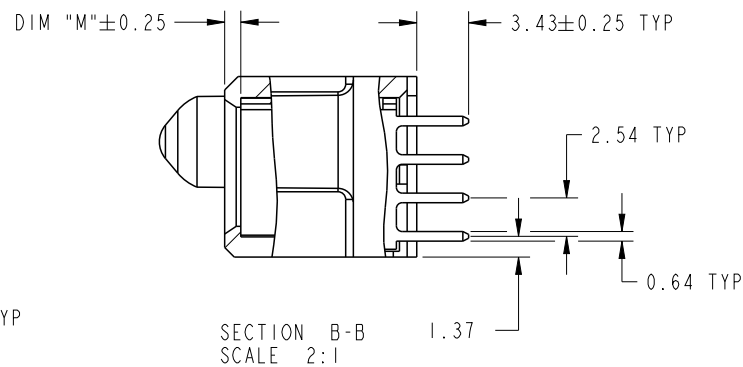
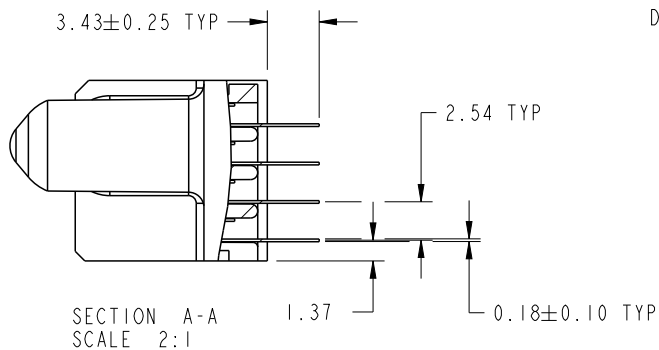
spec ref	*	dr	Ruan MT	2013/01/25	projection	MM	size	A4	scale	1:1
tolerance std	TOLERANCES UNLESS OTHERWISE SPECIFIED	eng	Ruan MT	2013/02/27			ecn no	-		
SEE NOTE		chr	-	-						
surface	linear	appr	Pei-Ming Zheng	2013/02/27	product family	PwrBlade	rel level	Released		
	angular	0°	±2°		title	10P + 24S	dwg no	51940-475	rev	A
				VERTICALSTB RECEPT	cat. no.	*	Product - Customer Drw	sheet 1 of 4		



Copyright FCI.

PRODUCT NUMBER

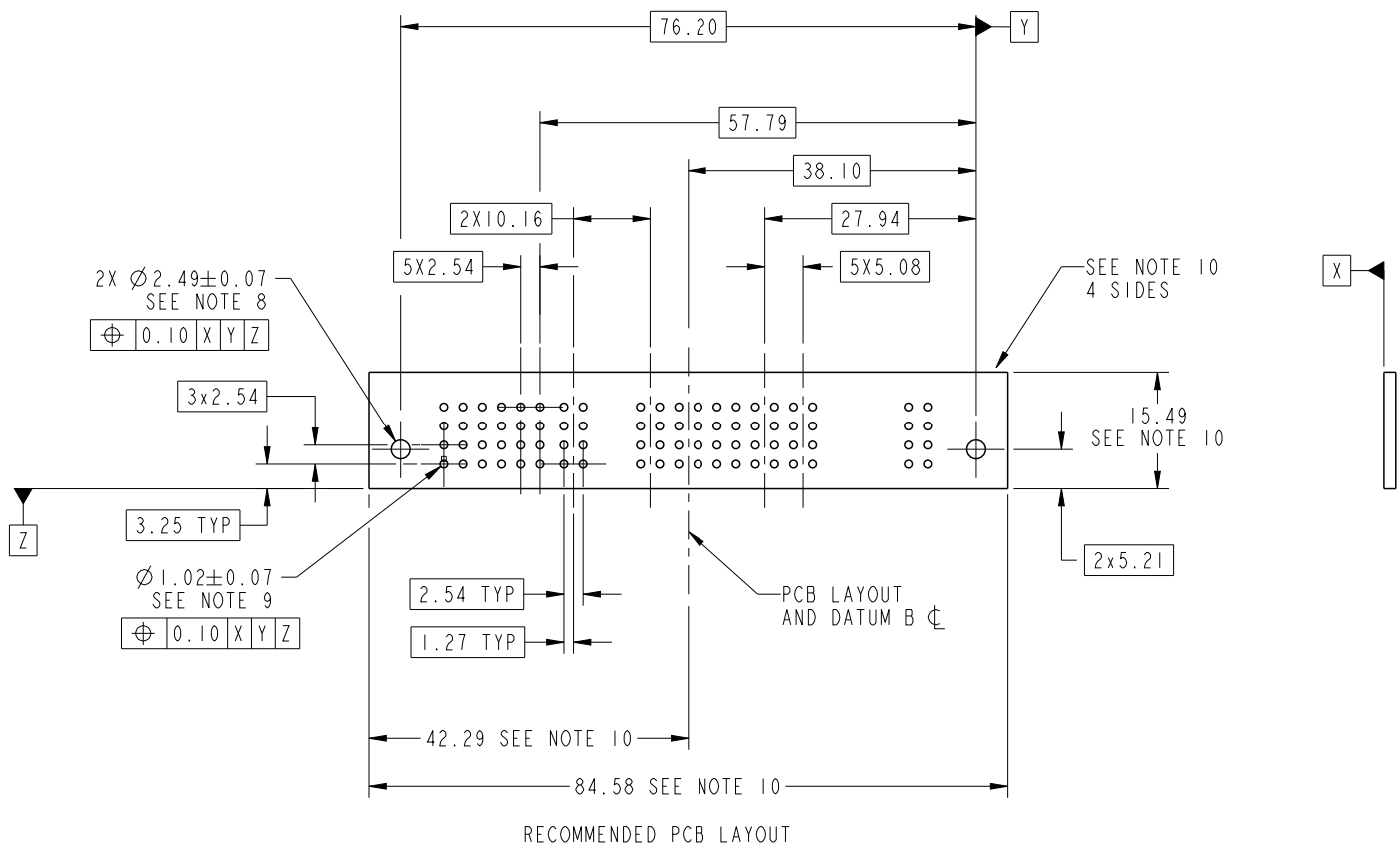
51940-475__
NOTE: 3



dr	Ruan MT	2013/01/25	projection 	MM 	size	A4	scale	1:1
eng	Ruan MT	2013/02/27			ecn no	-		
chr	-	-			rel level	Released		
appr	Pei-Ming Zheng	2013/02/27	product family	PwrBlade	rev	A		
		title 10P + 24S VERTICALSTB RECEPT	dwg no 51940-475	cat. no. *	Product - Customer Drw	sheet 2 of 4		

PRODUCT NUMBER

51940-475__
NOTE: 3



dr	Ruan MT	2013/01/25	projection 	MM 	size	A4	scale	1:1	
eng	Ruan MT	2013/02/27			ecn no	-			
chr	-	-			rel level	Released			
appr	Pei-Ming Zheng	2013/02/27	product family	PwrBlade					
		title	10P + 24S VERTICALSTB RECEPT		dwg no	51940-475		rev	A
www.fci.com		cat. no.	*	Product - Customer Drw		sheet 3 of 4			

PRODUCT NUMBER

51940-475__
NOTE: 3

NOTES:

1. DIMENSIONS AND TOLERANCES ARE IN ACCORDANCE WITH ASME Y14.5M, 1994 UNLESS OTHERWISE SPECIFIED.

CONNECTOR NOTES:

- 2 HOUSING MATERIAL: UL 94 V-0 GLASS FILLED HIGH-TEMP THERMOPLASTIC
POWER CONTACT MATERIAL: COPPER ALLOY
SIGNAL PIN MATERIAL: COPPER ALLOY
- 3. SEE ITEM 5 & 6 IN PRINT 10064183 FOR PLATING SPEC OF 51940-475 AND 51940-475LF RESPECTIVELY.
- 4 MANUFACTURER'S NAME, DATE CODE AND OPTIONAL P/N TO APPEAR ON THIS SURFACE. THE MARK CAN BE OMITTED IF THERE IS NOT ENOUGH SPACE ON THIS SURFACE.
- 5. PRODUCT SPECIFICATION GS-12-149.
APPLICATION SPECIFICATION BUS-20-067.
- 6. PACKAGED IN TRAYS.
- PCB NOTES:
- 7. ALL HOLE DIAMETERS ARE FINISHED HOLE SIZE.
- 8 MOUNTING HOLES, WHERE APPLICABLE, ARE UNPLATED.
- 9 $\varnothing 1.151 \pm 0.025$ DRILLED HOLES PLATED WITH
0.008 MIN SnPb OR Sn OVER 0.03
TO 0.08 Cu PLATING TO ACHIEVE
 $\varnothing 1.02 \pm 0.07$ HOLE.
- 10 CONNECTOR KEEP-OUT ZONE.
- 11. THE VOID CORING IN BETWEEN POWER MODULES, SIGNAL MODULES AND END MODULES ARE OPTIONAL AND THE SHAPE MAY BE DIFFERENT FOR OPTIMIZE THE MOLDING PROCESS. THE VOID CORING WILL NOT EFFECT TO PRODUCT FUNCTION.

dr	Ruan MT	2013/01/25	projection 	MM 	size	A4	scale	1:1	
eng	Ruan MT	2013/02/27			ecn no	-			
chr	-	-							
appr	Pei-Ming Zheng	2013/02/27	product family	PwrBlade	rel level	Released			
	title	10P + 24S VERTICALSTB RECEPT			dwg no	51940-475		rev	A
www.fci.com	cat. no.	*	Product - Customer Drw			sheet 4 of 4			



Copyright FCI.