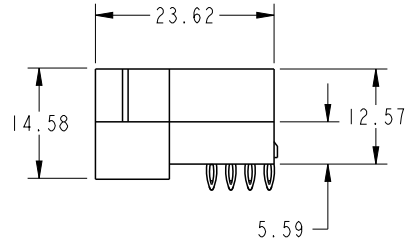
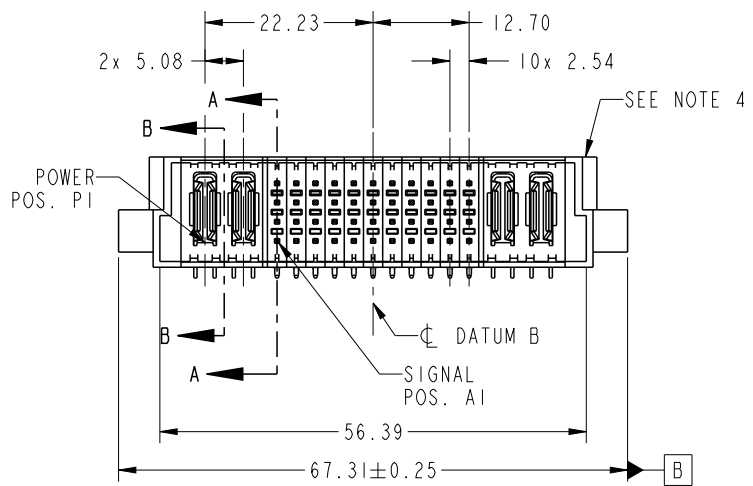
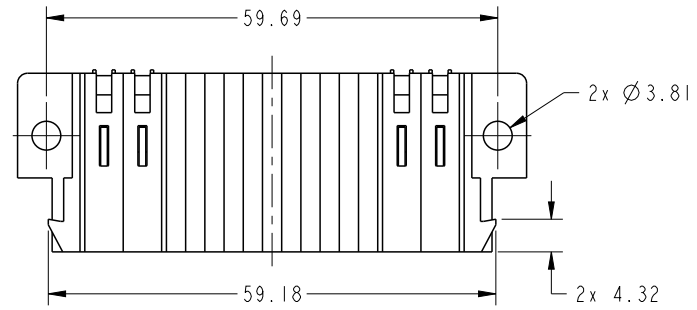


PRODUCT NO.	ROWS	POWER		SIGNAL							POWER		E2				
		E1	P1	P2	1	2	3	4	5	6	7	8		9	10	11	P3
51939-952-- NOTE 3	D C B A		PX	PX	SD	SD	SD	SD	SD	SD	SD	SD	SD	SD	PX	PX	



CODE	DIM "M" MATING LENGTH	CONTACT TYPE
SA	[6.86]	SIGNAL
SB	[6.86]	SIGNAL
SC	[6.86]	SIGNAL
SD	[6.86]	SIGNAL
PX	[N/A]	POWER



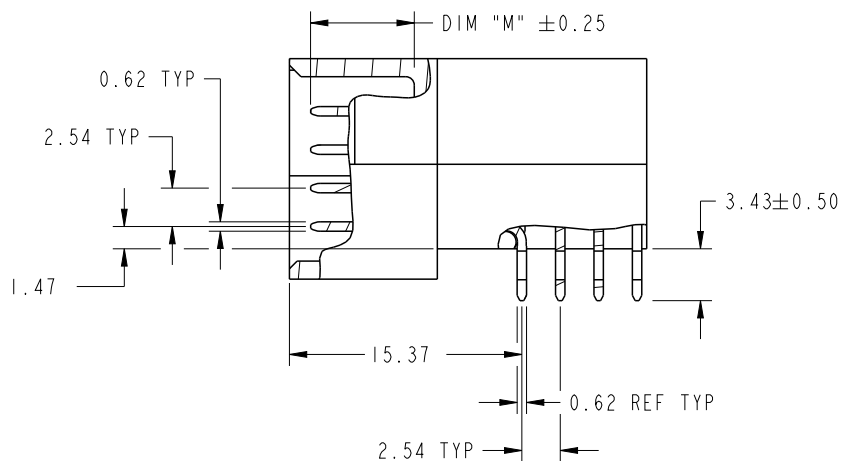
Copyright FCI.

spec ref	*	dr	Ruan MT	2015/01/09	projection	MM	size	A4	scale	1:1
tolerance std	ASME Y14.5	eng	Ruan MT	2015/01/21			ecn no		-	
TOLERANCES UNLESS OTHERWISE SPECIFIED		chr	-	-			rel level		Released	
surface	✓	appr	Pei-Ming Zheng	2015/01/21	product family		PwrBlade		rev	
ASME Y14.5	linear			title 2DCP + 44S + 2DCP RIGHT ANGLE PF HEADER		dwg no 51939-952		A		
	angular	www.fci.com		cat. no.	-		Product - Customer Drw		sheet 1 of 4	

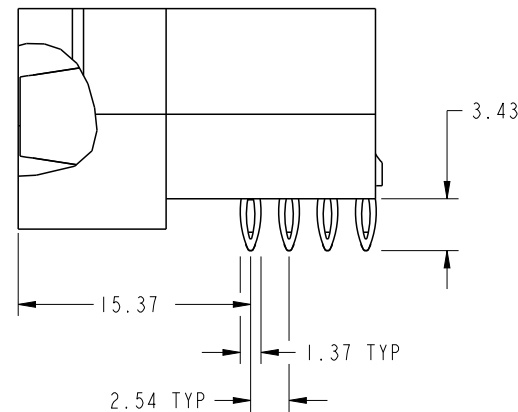
Prod File - REV C - 2009-06-09

PRODUCT NUMBER

51939-952--
NOTE: 3



BROKEN-OUT SECTION A-A
SCALE 2:1

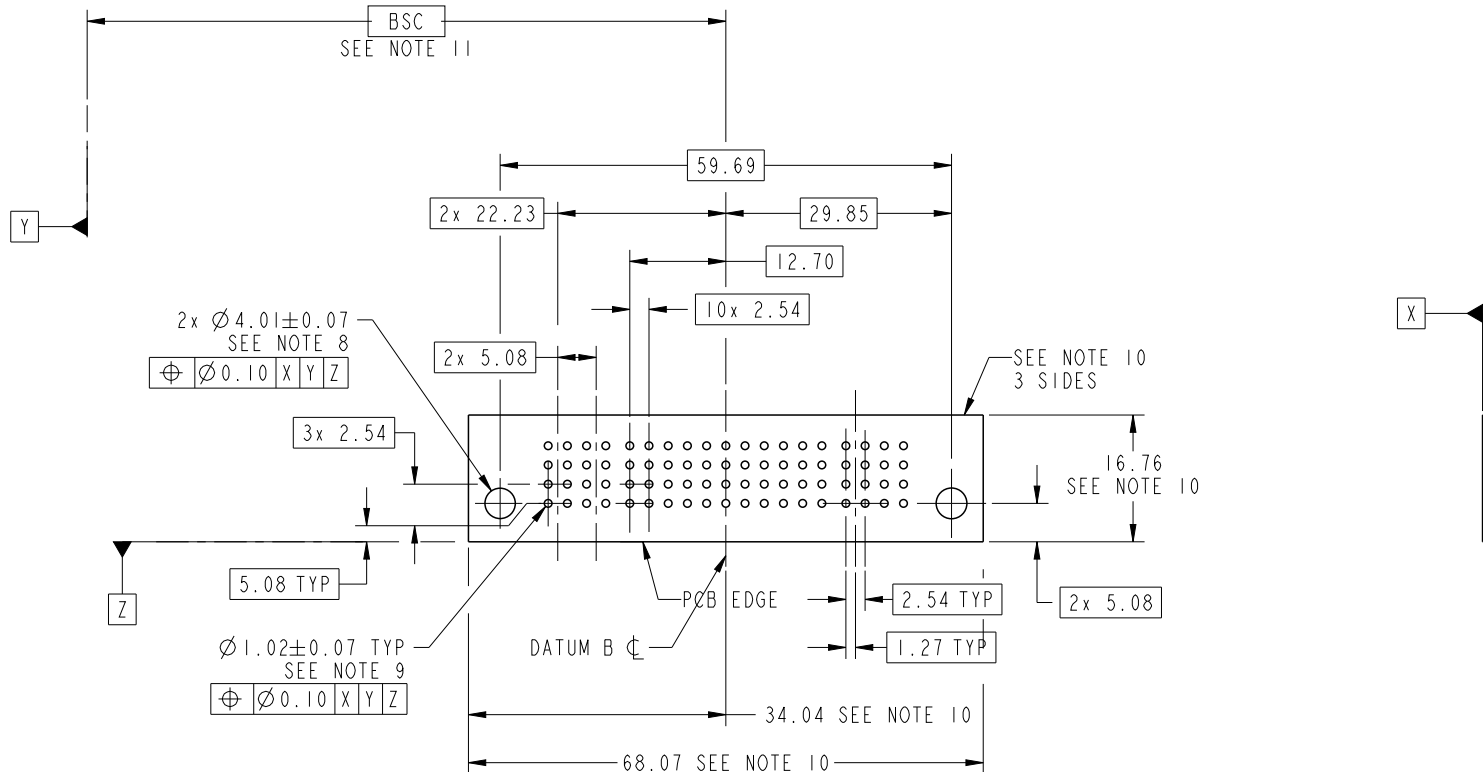


BROKEN-OUT SECTION B-B
SCALE 2:1

dr	Ruan MT	2015/01/09	projection 	MM 	size	A4	scale	1:1
eng	Ruan MT	2015/01/21			ecn no	-		
chr	-	-			rel level	Released		
appr	Pei-Ming Zheng	2015/01/21	product family	PwrBlade				
		title 2DCP + 44S + 2DCP RIGHT ANGLE PF HEADER	dwg no 51939-952	rev A				
www.fci.com		cat. no. -	Product - Customer Drw		sheet 2 of 4			

PRODUCT NUMBER

51939-952__
NOTE: 3



RECOMMENDED PCB LAYOUT

dr	Ruan MT	2015/01/09	projection 	MM 	size	A4	scale	1:1
eng	Ruan MT	2015/01/21			ecn no	-		
chr	-	-			rel level	Released		
appr	Pei-Ming Zheng	2015/01/21	product family	PwrBlade				
	title	2DCP + 44S + 2DCP RIGHT ANGLE PF HEADER		dwg no	51939-952		rev	A
www.fci.com	cat. no.	-	Product - Customer Drw		sheet 3 of 4			

PRODUCT NUMBER

51939-952__
NOTE: 3

NOTES:

1. DIMENSIONS AND TOLERANCES ARE IN ACCORDANCE WITH ASME Y14.5M, 1994 UNLESS OTHERWISE SPECIFIED.

CONNECTOR NOTES:

- 2. HOUSING MATERIAL: UL 94 V-0 GLASS FILLED HIGH-TEMP THERMOPLASTIC
POWER CONTACT MATERIAL: COPPER ALLOY
SIGNAL PIN MATERIAL: COPPER ALLOY
- 3. SEE ITEM 3 & 4 IN PRINT 10064183 FOR PLATING SPEC OF 51939-952 AND 51939-952LF RESPECTIVELY.
- 4. MANUFACTURER'S NAME, DATE CODE AND OPTIONAL P/N TO APPEAR ON THIS SURFACE. THE MARK CAN BE OMITTED IF THERE IS NOT ENOUGH SPACE ON THIS SURFACE.
- 5. PRODUCT SPECIFICATION GS-12-149.
APPLICATION SPECIFICATION BUS-20-067.
- 6. PACKAGED IN TRAYS.

PCB NOTES:

- 7. ALL HOLE DIAMETERS ARE FINISHED HOLE SIZE.
- 8. MOUNTING HOLES, WHERE APPLICABLE, ARE UNPLATED.
- 9. $\varnothing 1.151 \pm 0.025$ DRILLED HOLES PLATED WITH
0.008 MIN SnPb OR Sn OVER 0.03
TO 0.08 Cu PLATING TO ACHIEVE
 $\varnothing 1.02 \pm 0.07$ HOLE.
- 10. CONNECTOR KEEP-OUT ZONE.
- 11. DATUM AND BASIC DIMENSIONS ARE ESTABLISHED BY CUSTOMER.



Copyright FCI.

dr	Ruan MT	2015/01/09	projection 	MM 	size	A4	scale	1:1			
eng	Ruan MT	2015/01/21			ecn no	-					
chr	-	-			product family	PwrBlade	rel level	Released			
appr	Pei-Ming Zheng	2015/01/21			title	2DCP + 44S + 2DCP		dwg no	51939-952	rev	A
www.fci.com		cat. no.	-	Product - Customer Drw			sheet 4 of 4				