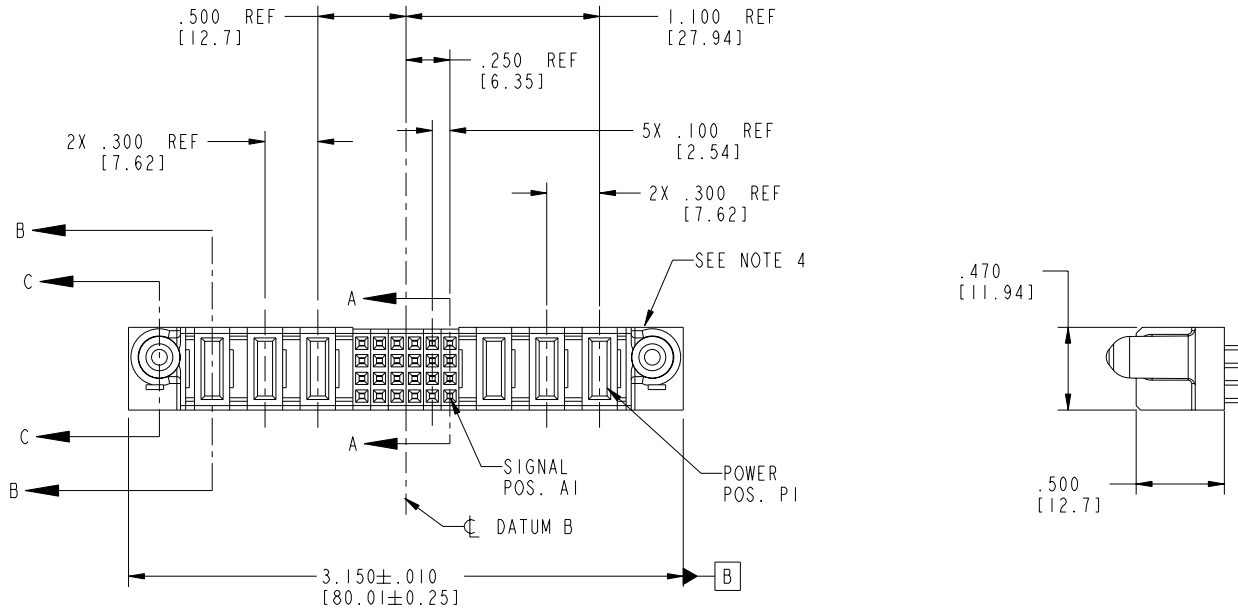


Tous droits strictement réservés. Reproduction ou communication à des tiers interdite sous quelque forme que ce soit sans autorisation écrite du propriétaire. Propriété de c FCI. Droits de reproduction FCI.

All rights strictly reserved. Reproduction or issue to third parties in any form whatever is not permitted without written authority from the proprietor. Property of FCI. Copyright FCI.



PRODUCT NO.	ROWS	POWER			SIGNAL					POWER			E1		
		E2	P6	P5	P4	6	5	4	3	2	1	P3		P2	P1
51940-174-- NOTE 3	D C B A														



CODE	DIM "M" MATING LENGTH	CONTACT TYPE
E	N/A [N/A]	SIGNAL
PA	.042 [1.07]	POWER

mat'l code				SEE NOTE 2		tolerances unless otherwise specified		CUSTOMER		 www.fciconnect.com	
ltr	ecn no.	dr	date	linear	.XX±.01/0.X±0.3		COPY		projection		title
A	DG05-0447	CS	11/09/05	angles	.XXX±.005/0.XX±0.13		INCH/MM				3ACP + 24S + 3ACP VERTICAL SOLDER RECEPT
				dr	CS	11/09/05	scale		product family		code
				enr	STEVEN WANG	11/09/05	1:1		PwrBlade		213
				chr	VICTOR LIN	11/09/05			size		sheet
				appd	JOSEPH HSIA	11/09/05			A		1 of 4
sheet index	revision sheet	A	A	A	A	A			51940-174		
		1	2	3	4						
										cage code	22526
											4

Pro/E

PDM: Rev:A

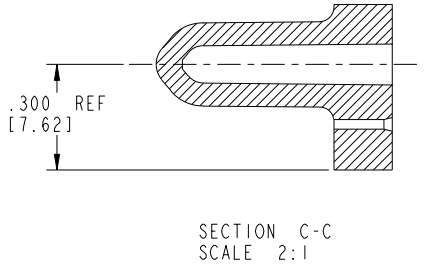
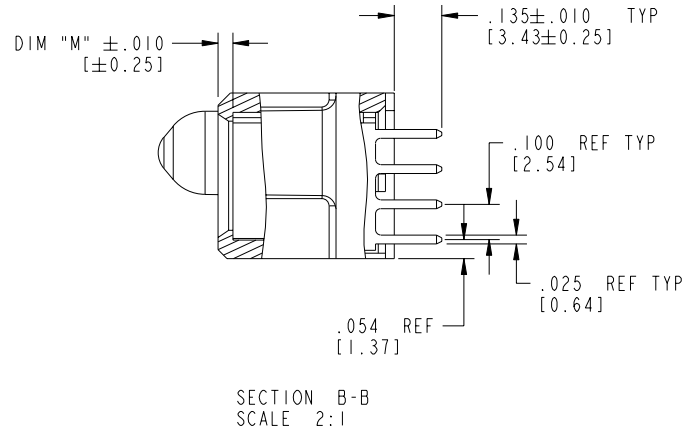
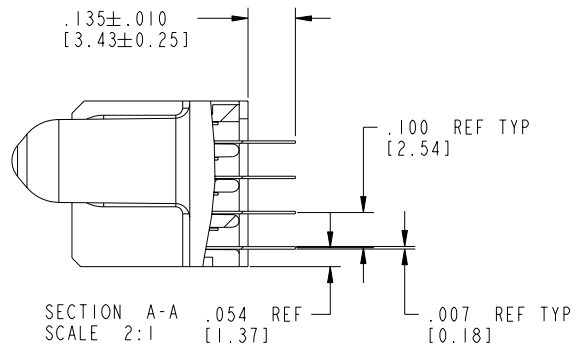
STATUS: Released

Printed: Sep 22, 2006

Tous droits strictement réservés. Reproduction ou communication à des tiers interdite sous quelque forme que ce soit sans autorisation écrite du propriétaire. Propriété de c FCI. Droits de reproduction FCI.

All rights strictly reserved. Reproduction or issue to third parties in any form whatever is not permitted without written authority from the proprietor. Property of FCI. Copyright FCI.

PRODUCT NUMBER  
51940-174--  
NOTE③



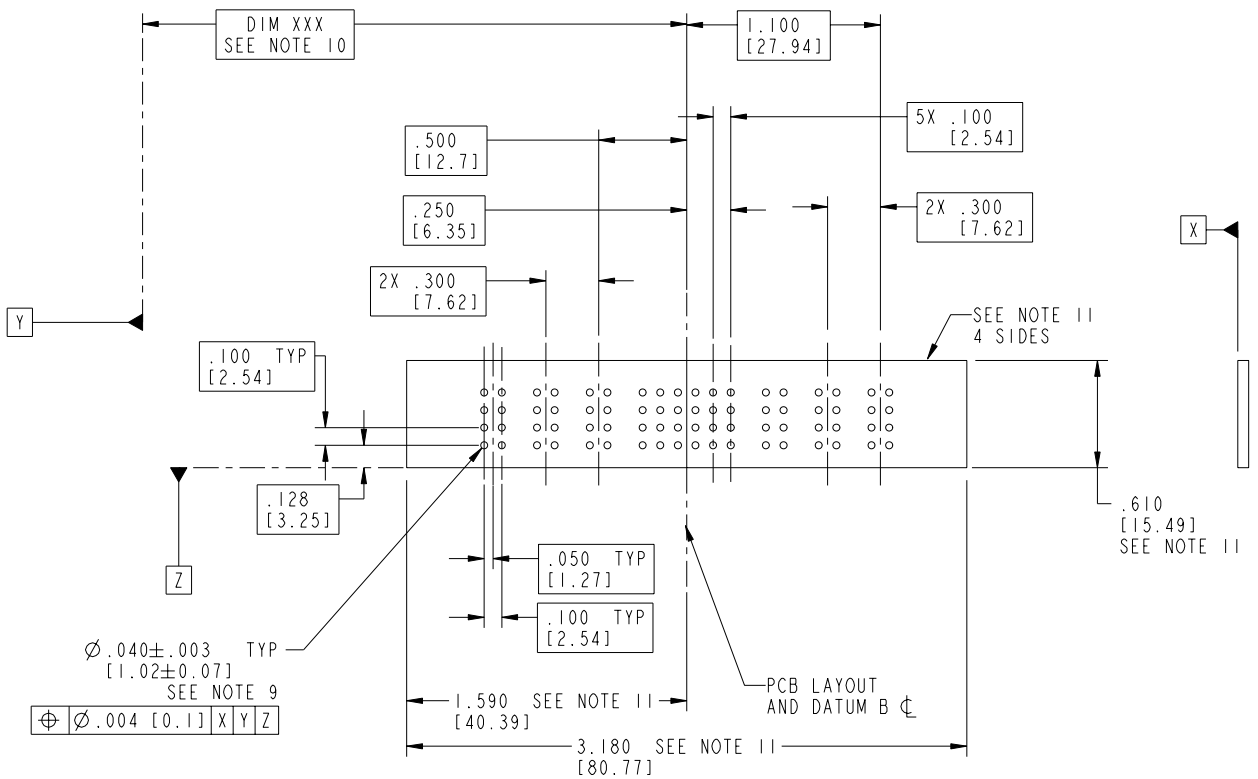
mat'l code		SEE NOTE 2		tolerances unless otherwise specified		CUSTOMER		 www.fciconnect.com	
ltr	ecn no.	dr	date	linear	.XX±.01/0.X±0.3	COPY		projection	title
A					.XXX±.005/0.XX±0.13				3ACP + 24S + 3ACP VERTICAL SOLDER RECEPT
				angles	.XXX±.0020/0.XXX±0.051				product family
				dr	0°±2°			scale	PwrBlade
				enr	CS 11/09/05			size	code
				chr	STEVEN WANG 11/09/05			A	213
				appd	VICTOR LIN 11/09/05			51940-174	sheet
					JOSEPH HSIA 11/09/05			2 of 4	
sheet index	revision sheet								

cage code 22526 4

Tous droits strictement réservés. Reproduction ou communication a des tiers interdite sous quelque forme que ce soit sans autorisation écrite du propriétaire. Propriété de c FCI. Droits de reproduction FCI.

All rights strictly reserved. Reproduction or issue to third parties in any form whatever is not permitted without written authority from the proprietor. Property of FCI. Copyright FCI.

PRODUCT NUMBER  
51940-174--  
NOTE ③



Ø.040±.003 TYP  
[1.02±0.07]  
SEE NOTE 9  
⊕ Ø.004 [0.1] X Y Z

mat'l code		SEE NOTE 2		tolerances unless otherwise specified		CUSTOMER		 www.fciconnect.com	
ltr	ecn no.	dr	date	linear	.XX±.01/0.X±0.3	COPY		projection	title
A					.XXX±.005/0.XX±0.13				3ACP + 24S + 3ACP VERTICAL SOLDER RECEPT
				angles	.XXXX±.0020/0.XXX±0.051				product family
				dr	0°±2°	INCH/MM			PwrBlade
				enr	CS 11/09/05	scale		size	code
				chr	STEVEN WANG 11/09/05	1:1		A	213
				appd	VICTOR LIN 11/09/05			dwg no	sheet
					JOSEPH HSIA 11/09/05			51940-174	3 of 4
sheet index	revision sheet								

cage code 22526

Pro/E

PDM: Rev:A

STATUS: Released

Printed: Sep 22, 2006

Tous droits strictement réservés. Reproduction ou communication à des tiers interdite sous quelque forme que ce soit sans autorisation écrite du propriétaire. Propriété de c FCI. Droits de reproduction FCI.

**A**  
**FCI**

All rights strictly reserved. Reproduction or issue to third parties in any form whatever is not permitted without written authority from the proprietor. Property of FCI. Copyright FCI.

PRODUCT NUMBER  
51940-174--  
NOTE ③

NOTES:

1. DIMENSIONS AND TOLERANCES ARE IN ACCORDANCE WITH ASME Y14.5M, 1994 UNLESS OTHERWISE SPECIFIED.

CONNECTOR NOTES:

② HOUSING MATERIAL: UL 94 V-0 GLASS FILLED  
HIGH-TEMP THERMOPLASTIC  
POWER CONTACT MATERIAL: COPPER ALLOY  
SIGNAL PIN MATERIAL: COPPER ALLOY

3. PLATING:  
51940-174 Singal Pin: 30u"/0.76um Au OVER 50u"/1.27um Ni ON CONTACT AREA.  
AND 100u"/2.54um SnPb PLATING OVER 50u"/1.27um Ni ON THE TERMINATION SECTION.  
Power Pin: 30u"/0.76um Au OVER 50u"/1.27um Ni ON THE CONTACT AREA,  
AND 100u"/2.54um SnPb PLATING OVER 50u"/1.27um Ni ON THE TERMINATION SECTION.

51940-174LF Singal Pin: 30u"/0.76um Au OVER 50u"/1.27um Ni ON CONTACT AREA.  
AND 78u"/2.00um Sn PLATING OVER 50u"/1.27um Ni ON THE TERMINATION SECTION.  
Power Pin: 30u"/0.76um Au OVER 50u"/1.27um Ni ON THE CONTACT AREA,  
AND 78u"/2.00um Sn PLATING OVER 50u"/1.27um Ni ON THE TERMINATION SECTION.

PART NUMBER 51940-174LF MEETS EUROPEAN UNION DIRECTIVE AND OTHER COUNTRY REGULATIONS AS DESCRIBED IN GS-22-008.

THE HOUSING WILL WITHSTAND EXPOSURE TO 260° PEAK TEMPERATURE FOR 10 SECONDS IN A WAVE SOLDER APPLICATION WITH A CIRCUIT BOARD

④ MANUFACTURER'S NAME, P/N, AND DATE CODE TO APPEAR ON THIS SURFACE.

5. PRODUCT SPECIFICATION GS-12-149.  
APPLICATION SPECIFICATION BUS-20-067.

6. PACKAGED IN TRAYS.

PCB NOTES:

7. ALL HOLE DIAMETERS ARE FINISHED HOLE SIZE.

⑧ MOUNTING HOLES, WHERE APPLICABLE, ARE UNPLATED.

⑨  $\varnothing .0453 \pm .0010$  [1.151 ± 0.025] DRILLED HOLES PLATED WITH  
.0003 [0.008] MIN SnPb OVER .001 [0.03]  
TO .003 [0.08] Cu PLATING TO ACHIEVE  
 $\varnothing .040 \pm .003$  [1.02 ± .07] HOLE.

⑩ "DIM XXX" TO BE DETERMINED BY THE CUSTOMER.

⑪ CONNECTOR KEEP-OUT ZONE.

mat'l code		SEE NOTE 2		tolerances unless otherwise specified		CUSTOMER		<b>A</b> <b>FCI</b>		www.fciconnect.com	
ltr	ecn no.	dr	date	linear	.XX±.01/0.X±0.3	COPY		projection	title 3ACP + 24S + 3ACP VERTICAL SOLDER RECEPT		
A				angles	.XXX±.005/0.XX±0.13	INCH/MM			product family	PwrBlade	code
				dr	XXXX±.0020/0.XXX±0.051	scale			size	dwg no	213
				enr	0° ± 2°	1:1		A	51940-174	4	of 4
				chr							
				appd							
sheet index	revision sheet										

cage code 22526 4

PDM: Rev:A

STATUS: Released

Printed: Sep 22, 2006