

4

3

2

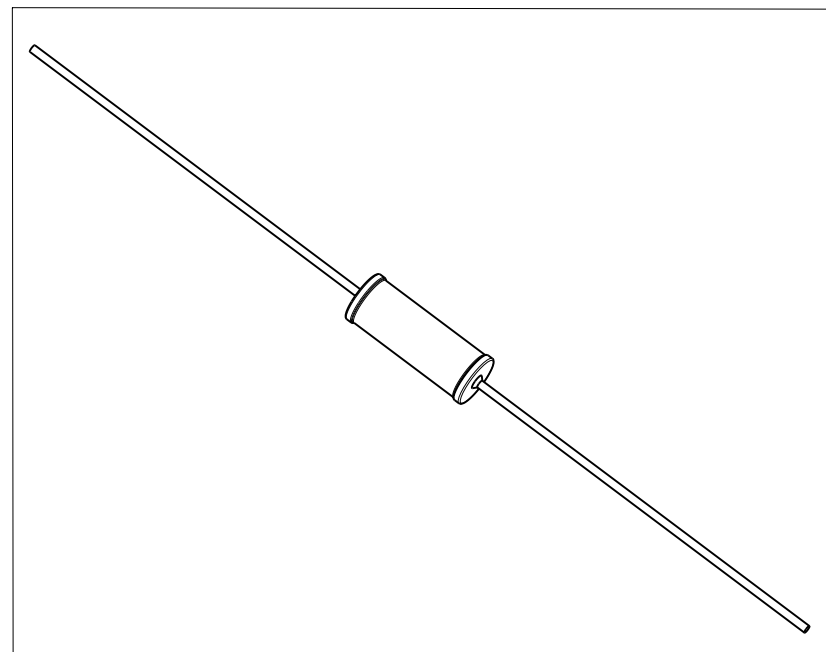
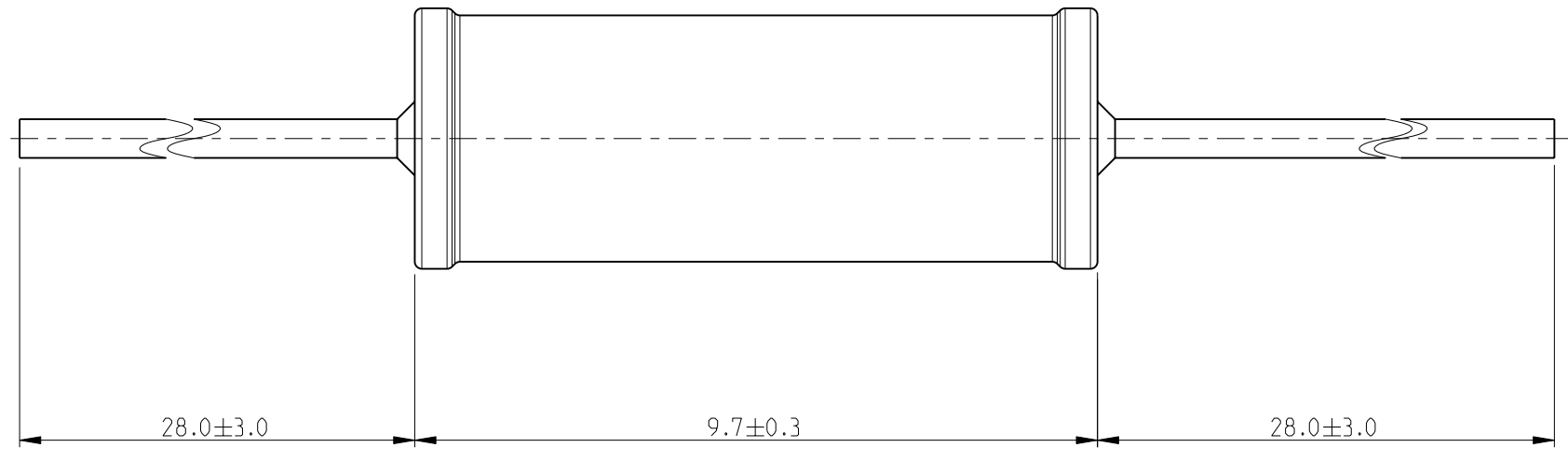
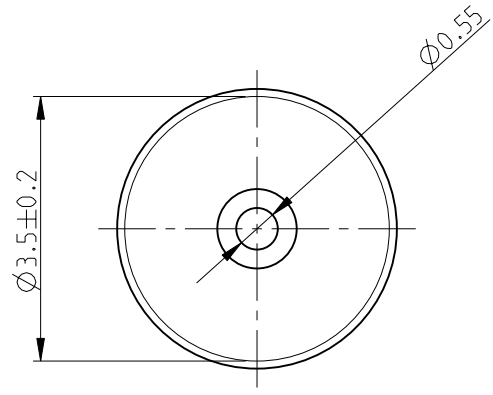
1

THIS DRAWING IS UNPUBLISHED. RELEASED FOR PUBLICATION 2010

© COPYRIGHT 2010 BY TYCO ELECTRONICS CORPORATION. ALL RIGHTS RESERVED.

| LOC | DIST | REVISIONS | | | |
|-----|------|-------------|-------------|------------|---------|
| P | LTR | DESCRIPTION | DATE | DWN | APVD |
| E | B | BA | NEW RELEASE | 06JULY2010 | PT St.P |

FOR FURTHER INFORMATION SEE DATA SHEET FOR SERIES LR, METAL FILM FIXED RESISTORS



RoHS Compliant

THIS DRAWING IS A CONTROLLED DOCUMENT FOR TYCO ELECTRONICS CORPORATION IT IS SUBJECT TO CHANGE AND THE CONTROLLING ENGINEERING ORGANIZATION SHOULD BE CONTACTED FOR THE LATEST REVISION.

| DIMENSIONS: | TOLERANCES UNLESS OTHERWISE SPECIFIED: |
|-------------|--|
| mm | |
| | 0 PLC ± 0.2 |
| | 1 PLC ± 0.1 |
| | 2 PLC ± - |
| | 3 PLC ± - |
| | 4 PLC ± - |
| | ANGLES ± 5° |
| MATERIAL - | FINISH - |

| | |
|------------------|------------|
| DWN | 06JULY2010 |
| PARUSURAM.T | |
| CHK | 06JULY2010 |
| ALLAN.P | |
| APVD | 06JULY2010 |
| STEPHEN.P | |
| PRODUCT SPEC | - |
| APPLICATION SPEC | - |
| WEIGHT | - |
| CUSTOMER DRAWING | |

| | |
|--|-----------------|
| Tyco Electronics Corporation Dorcan, Swindon, SN3 5HH | |
| NAME METAL FILM FIXED RESISTORS SERIES LR2 | |
| SIZE A3 | CAGE CODE 00779 |
| DRAWING NO C-1622777 | RESTRICTED TO - |
| SCALE 10:1 | SHEET 1 OF 1 |
| REV BA | |