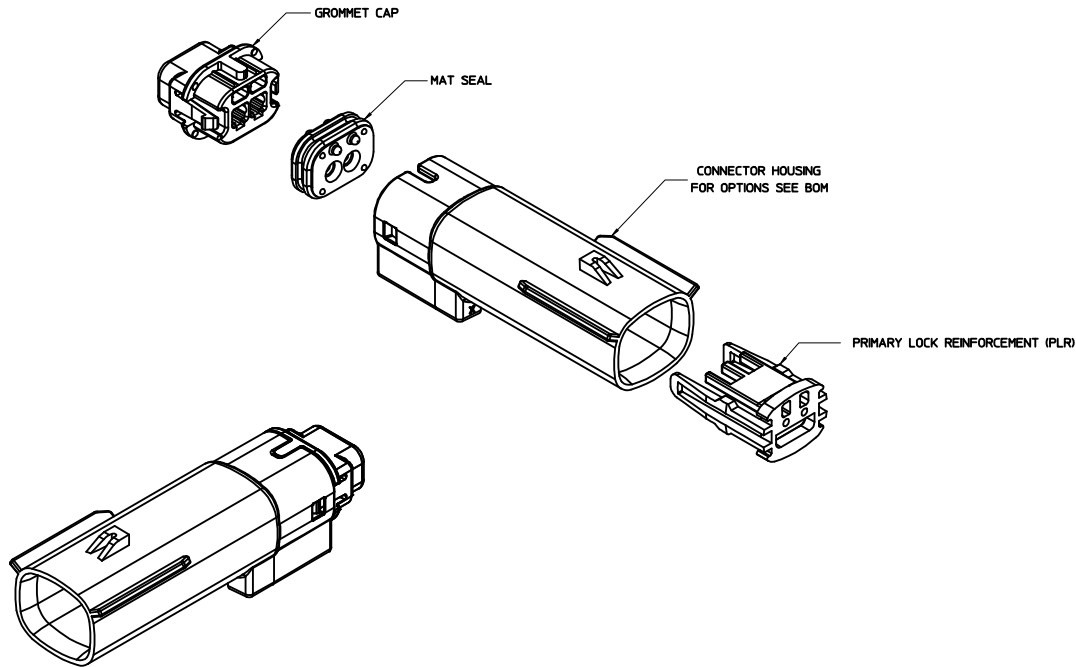


TABLE OF CONTENTS	
SHEET NO.	SHEET DESCRIPTION
1	NOTES
2	KEY CONFIGURATIONS
3	BLADE SEALED ASSEMBLY
4	SYSTEM PACKAGING
5	BACKSHELL NOTES
6	BACKSHELL
7	BACKSHELL CONFIGURATIONS
8	BOM



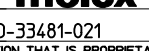
NOTES: VALID UNLESS OTHERWISE SPECIFIED

- 1. GENERAL:
 - a. APPLICATION SPECIFICATION SEE: AS-33472-100
 CONTAINS: PRODUCT INTRODUCTION, PRODUCT SUMMARY, CONNECTOR ASSEMBLY, PACKAGING INFORMATION, CONNECTOR MATING, SERVICE INSTRUCTIONS, ELECTRICAL CONTINUITY CHECKING, CRIMPING, AND TROUBLESHOOTING.
 -DESIGNED TO MATE WITH RECEPTACLE SEALED ASSEMBLY SPECIFIED IN MOLEX DRAWING SD-33471-021.
 -FOR 15mm BLADE TERMINALS TO BE USED WITH THIS ASSEMBLY SEE MOLEX DRAWING SD-33000-001.
 - SYSTEM TO BE USED WITH WIRE WITHIN DIAMETER RANGE OF 1.2mm TO 2.69mm.
 -ASSEMBLY SHIPPED WITH PLR IN PRE-LOCK POSITION
 -IN THE EVENT THAT THE PLR IS FOUND IN THE SEATED (FINAL LOCK) POSITION, REFER TO MOLEX SPECIFICATION PS-34646-001, AVAILABLE AT www.molex.com (http://www.molex.com)
 -ASSEMBLY CONFORMS TO SAE/USCAR-2 REV.4 WITH THE FOLLOWING EXCEPTIONS:
 TERMINAL INSERTION FORCE FOR WIRE DIAMETER ABOVE 2.5mm NOT EXCEEDING 2.69mm SHALL NOT EXCEED 40 NEWTONS.
 - b. PRODUCT SPECIFICATION SEE: PS-33471-000
 CONTAINS: PRODUCT INTRODUCTION, PRODUCT SUMMARY, RATINGS (CURRENT, TEMPERATURE, SEALING, AND FLAMMABILITY), AND PRODUCT VALIDATION.
 - c. PACKAGING SPECIFICATION PER MOLEX DRAWING: PK-31300-635
 - d. PARTS MUST BE IN COMPLIANCE TO MOLEX CHEMICAL SUBSTANCES FOR PRODUCTS AND PACKAGING SPECIFICATION: ES-40000-5016
 - e. DATA MUST BE SUBMITTED UNDER THE MOLEX PART NUMBER TO IMDS (COMPANY ID#19295)
- 2. DESIGN - MATERIALS:
 - a. SEE BOM TABLE
- 3. DESIGN - GEOMETRY:
 - a. THIS IS A 100% CAD GENERATED PART. THE CAD MATHEMATICAL DATA IS THE MASTER FOR THIS PART. FOR DIMENSIONAL OR ANY INFORMATION NOT SHOWN ON THIS DRAWING, ANALYZE THE CAD MODEL.
 - b. GEOMETRIC DIMENSIONS AND TOLERANCES PER ASME Y14.5M - 1994
 - c. EDGES AND UNDIMENSIONED DETAILS PER ISO13715
 - d. CORNERS SHOWN AS SHARP TO BE R 0.2 MAX.
 - e. LETTERING SHALL BE 0.15 MAX RAISED IN 0.25 MAX RECESS PAD. THIS INCLUDES RECYCLING CODE, CAVITY ID, VENDOR IDENTIFICATION, AND CUSTOMER MATERIAL NUMBER.
 - f. VISUAL DEFECTS SHALL MEET COSMETIC STANDARD PS-45499-002 (Class B)
 - g. LASER MARKING: TBD

INSPECTION LOG
 LAST NUMBER USED: 57
 ADDED:
 REMOVED:

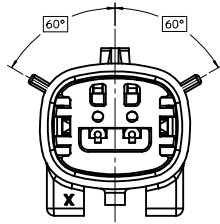
REV	DESCRIPTION
A10	ADD NEW P/N 33481-0210
A9	UPDATED VIEWSET & NOTES
A8	RENAMED BACKSHELLS
A7	REMOVED DIMENSION 57
A6	UPDATED NOTES
A5	UPDATED P/N ORDER IN BOM
A4	REDRAWN, ADDED BACKSHELL

ENTER DESCRIPTION ELEC NO: UAU2014-1319 DRAWN BY: CHYK APPR: VKOSHY 2014/02/21 2014/02/25	QUALITY SYMBOLS ∇=0 ∇=0 ∇=0	GENERAL TOLERANCES (UNLESS SPECIFIED) mm INCH		DIMENSION STYLE MM ONLY		SCALE 3:1	DESIGN UNITS METRIC	THIRD ANGLE PROJECTION		
		4 PLACES ± --- ± ---	3 PLACES ± --- ± ---	2 PLACES ± 0.10 ± ---	1 PLACE ± 0.20 ± ---	0 PLACE ± --- ± ---	DRAWN BY: M. VANS LAMBRO DATE: 9/16/08	CHECKED BY: M.VANS LAMBROU DATE: 2012/07/12	APPROVED BY: VKOSHY DATE: 2010/03/16	TITLE MX150 1X2 BLADE SEALED ASSEMBLY MAT SEAL
		ANGULAR ± 3 °					MATERIAL NO. SEE BOM			
		DRAFT WHERE APPLICABLE MUST REMAIN WITHIN DIMENSIONS					DOCUMENT NO. SD-33481-021			

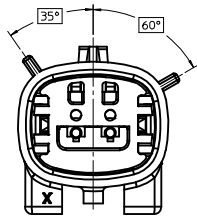


SHEET NO.
1 OF 8

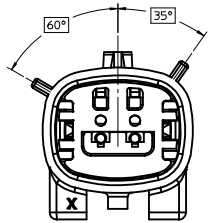
KEY CONFIGURATIONS



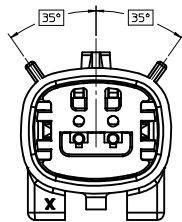
KEY A



KEY B



KEY C

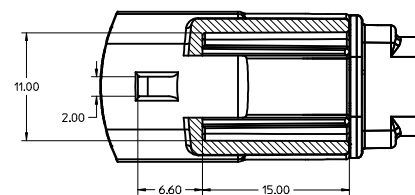
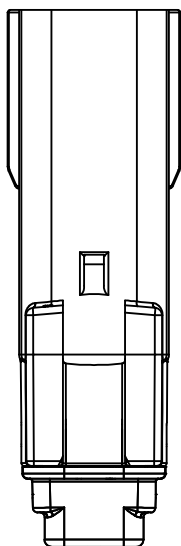
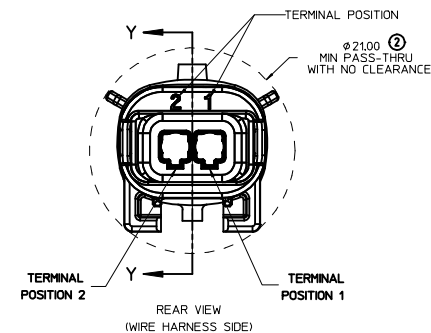
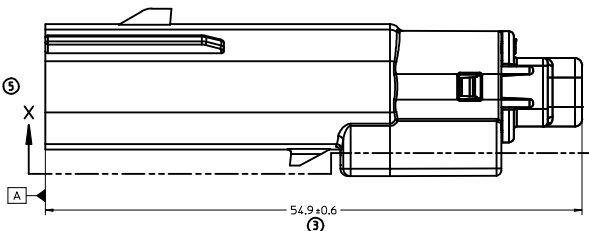
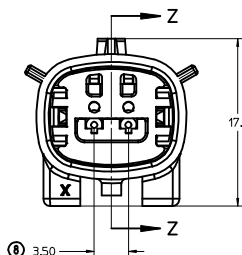
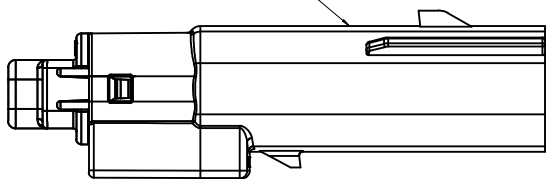


KEY D

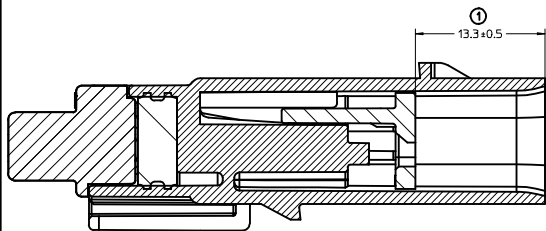
ENTER DESCRIPTION EC NO: UAU2014-1319 DRAWN BY: 2014/02/21 CHKD: APPR: VKOSHY 2014/02/25 REVISIONS:	QUALITY SYMBOLS ▽=0 ▽=0 ▽=0		GENERAL TOLERANCES (UNLESS SPECIFIED) mm INCH 4 PLACES ± --- ± --- 3 PLACES ± --- ± --- 2 PLACES ± 0.10 ± --- 1 PLACE ± 0.20 ± --- 0 PLACE ± --- ± --- ANGULAR ± 3° DRAFT WHERE APPLICABLE MUST REMAIN WITHIN DIMENSIONS		DIMENSION STYLE MM ONLY DRAWN BY: M. VANSLAMBRO DATE: 9/16/08 CHECKED BY: M.VANSLAMBRO DATE: 2012/07/12 APPROVED BY: VKOSHY DATE: 2010/03/16		SCALE 4:1	DESIGN UNITS METRIC	THIRD ANGLE PROJECTION	TITLE MX150 1X2 BLADE SEALED ASSEMBLY MAT SEAL molex		MATERIAL NO. SEE BOM	DOCUMENT NO. SD-33481-021	SHEET NO. 2 OF 8
	THIS DRAWING CONTAINS INFORMATION THAT IS PROPRIETARY TO MOLEX INCORPORATED AND SHOULD NOT BE USED WITHOUT WRITTEN PERMISSION													
	SIZE D													
	INCORPORATED AND SHOULD NOT BE USED WITHOUT WRITTEN PERMISSION													

BLADE SEALED ASSEMBLY

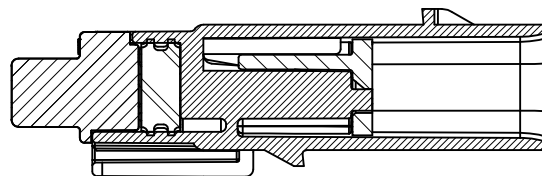
OPTIONAL LASER MARKING ON THIS SURFACE SEE NOTE 3g



Partial X-X



PRIMARY LOCK REINFORCEMENT (PLR) SHOWN IN PRE-STAGED POSITION
SECTION Z-Z

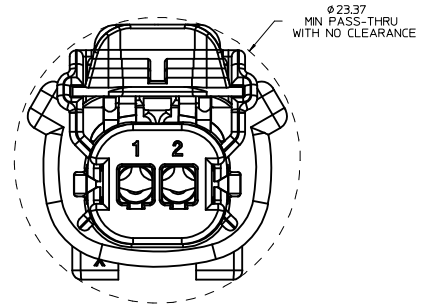
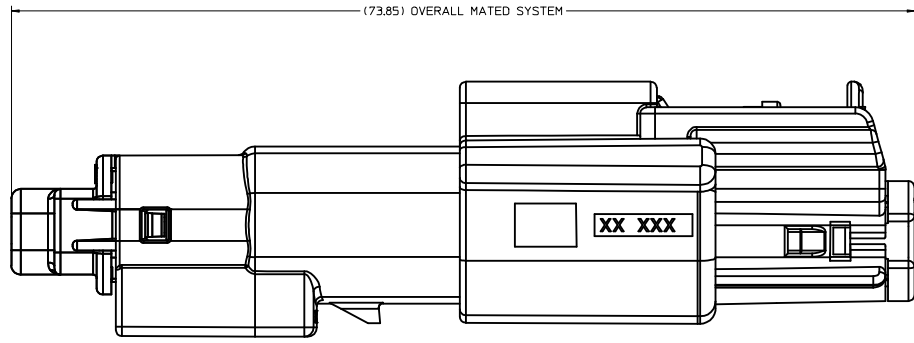


PRIMARY LOCK REINFORCEMENT (PLR) SHOWN IN FINAL-LOCK POSITION
SECTION Y-Y

ENTER DESCRIPTION ELEC NO. UAU2014-1319 DRAWN BY CHYK APPR: VKOSHY 2014/02/21 2014/02/25	QUALITY SYMBOLS	GENERAL TOLERANCES (UNLESS SPECIFIED)	DIMENSION STYLE	SCALE	DESIGN UNITS	THIRD ANGLE PROJECTION	
	∇=0 ∇=0 ∇=0	mm INCH 4 PLACES ± --- ± --- 3 PLACES ± --- ± --- 2 PLACES ± 0.10 ± --- 1 PLACE ± 0.20 ± --- 0 PLACE ± --- ± ---	MM ONLY	4:1	METRIC	DRAWN BY DATE M. VANSLAMBRO 9/16/08 CHECKED BY DATE M. VANSLAMBRO 2012/07/12 APPROVED BY DATE VKOSHY 2010/03/16	TITLE MX150 1X2 BLADE SEALED ASSEMBLY MAT SEAL molex DOCUMENT NO. SD-33481-021
	ANGULAR ± 3° DRAFT WHERE APPLICABLE MUST REMAIN WITHIN DIMENSIONS	MATERIAL NO. SEE BOM	SHEET NO. 3 OF 8				
	SIZE D THIS DRAWING CONTAINS INFORMATION THAT IS PROPRIETARY TO MOLEX INCORPORATED AND SHOULD NOT BE USED WITHOUT WRITTEN PERMISSION						

20 19 18 17 16 15 14 13 12 11 10 9 8 7 6 5 4 3 2 1

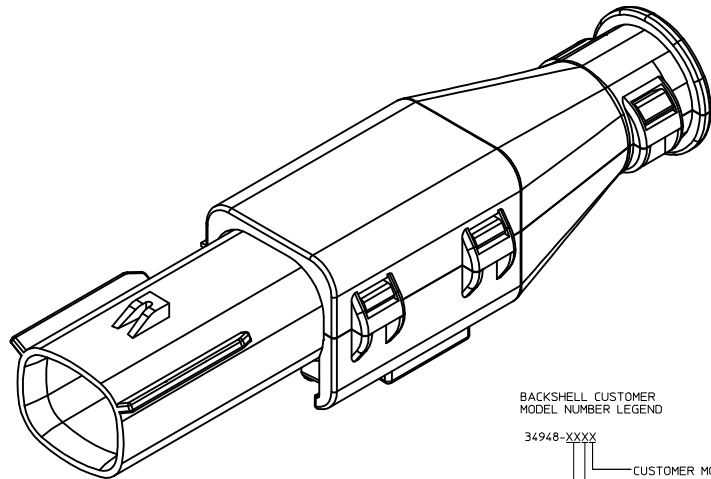
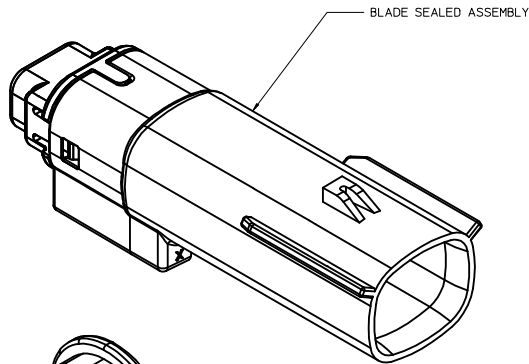
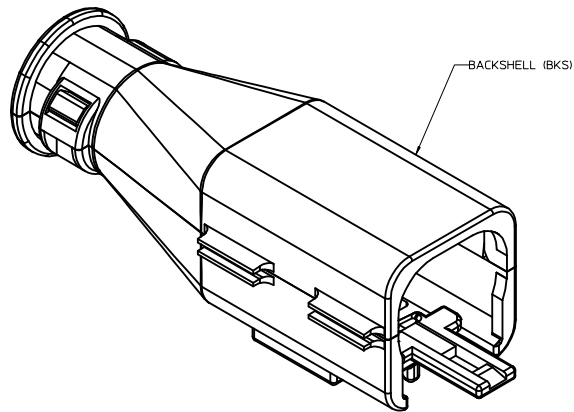
SYSTEM PACKAGING



ENTER DESCRIPTION ELEC NO: UAU2014-1319 DRAWN BY: 2014/02/21 CHKD: APPR: VKOSHY REVISIONS: 2014/02/25	QUALITY SYMBOLS	GENERAL TOLERANCES (UNLESS SPECIFIED)	DIMENSION STYLE	SCALE	DESIGN UNITS	THIRD ANGLE PROJECTION
	▽=0	mm INCH	MM ONLY	4:1	METRIC	☉
	▽=0	4 PLACES ± --- ± ---	DRAWN BY DATE			
	▽=0	3 PLACES ± --- ± ---	M. VANSLAMBRO 9/16/08			
	2 PLACES ± 0.10 ± ---	CHECKED BY DATE				MX150 1X2 BLADE SEALED ASSEMBLY MAT SEAL molex
	1 PLACE ± 0.20 ± ---	M. VANSLAMBRO 2012/07/12				
	0 PLACE ± --- ± ---	APPROVED BY DATE				DOCUMENT NO.
	ANGULAR ± 3 °	VKOSHY 2010/03/16				SD-33481-021
	DRAFT WHERE APPLICABLE MUST REMAIN WITHIN DIMENSIONS	MATERIAL NO.	SEE BOM			SHEET NO.
		SIZE	D			4 OF 8
		THIS DRAWING CONTAINS INFORMATION THAT IS PROPRIETARY TO MOLEX INCORPORATED AND SHOULD NOT BE USED WITHOUT WRITTEN PERMISSION				

19 18 17 16 15 14 13 12 11 10 9 8 7 6 5 4 3 2 1

BACKSHELL NOTES



BACKSHELL NOTES: VALID UNLESS OTHERWISE SPECIFIED

1. GENERAL:

- Q. APPLICATION SPECIFICATION SEE: AS-34951-001
- DESIGNED TO MATE WITH RECEPTACLE SEALED ASSEMBLY SPECIFIED IN MOLEX DRAWING SD-33472-021.
- SYSTEM TO BE USED WITH WIRE WITHIN DIAMETER RANGE OF 12mm TO 2.69mm.
- COMPONENTS ARE OPTIONAL AND MUST BE PURCHASED SEPERATELY.
- BACKSHELL DESIGN IS OWNED BY SCHLEMMER.
- FOR ADDITIONAL INFORMATION SEE THE BACKSHELL COMPONENT DRAWING SD-34948-0001.

BACKSHELL CUSTOMER MODEL NUMBER LEGEND

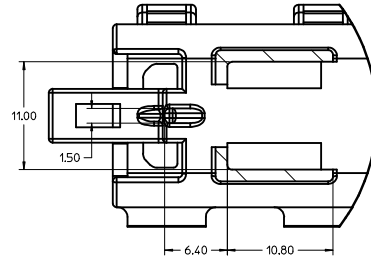
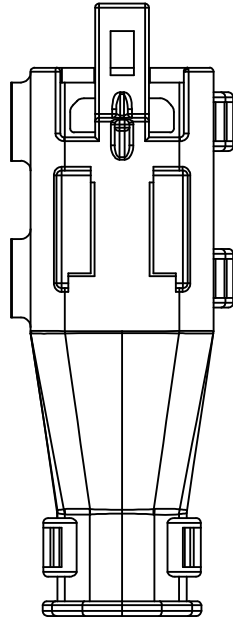
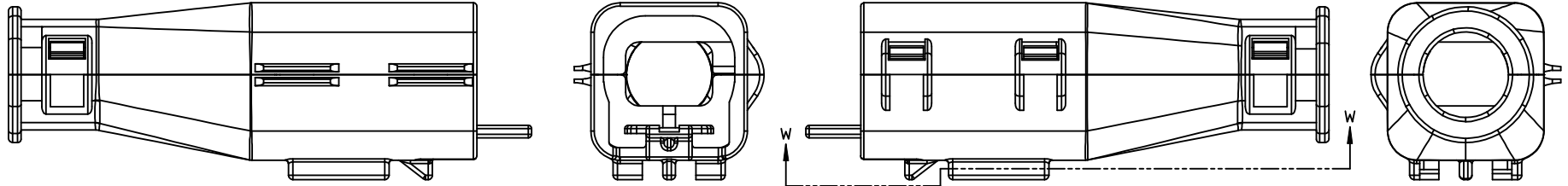
34948-XXXX

- CUSTOMER MODEL COMPONENTS
 - 0 - BACKSHELL ONLY
 - 1 - BACKSHELL & MX150 HOUSING KEY A ASSEMBLY
 - 2 - BACKSHELL & MX150 HOUSING KEY B ASSEMBLY
 - 3 - BACKSHELL & MX150 HOUSING KEY C ASSEMBLY
 - 4 - BACKSHELL & MX150 HOUSING KEY D ASSEMBLY
- BACKSHELL FEATURES
 - 1 - WITH RIBS
 - 2 - WITHOUT RIBS
- MX150 CIRCUIT SIZE 02, 03, 04, 05, 06

ENTER DESCRIPTION ELEC NO: UAU2014-1319 DRAWN BY: 2014/02/21 CHKD: APPR: VKOSHY 2014/02/25 REV:	QUALITY SYMBOLS ∇=0 ∇=0 ∇=0	GENERAL TOLERANCES (UNLESS SPECIFIED) mm INCH 4 PLACES ± --- ± --- 3 PLACES ± --- ± --- 2 PLACES ± 0.10 ± --- 1 PLACE ± 0.20 ± --- 0 PLACE ± --- ± --- ANGULAR ± 3 ° DRAFT WHERE APPLICABLE MUST REMAIN WITHIN DIMENSIONS	DIMENSION STYLE MM ONLY DRAWN BY DATE M. VANSLAMBRO 9/16/08 CHECKED BY DATE MYANSLAMBROU 2012/07/12 APPROVED BY DATE VKOSHY 2010/03/16	SCALE 4:1 DESIGN UNITS METRIC THIRD ANGLE PROJECTION	TITLE MX150 1X2 BLADE SEALED ASSEMBLY MAT SEAL molex	MATERIAL NO. SEE BOM	DOCUMENT NO. SD-33481-021	SHEET NO. 5 OF 8
	THIS DRAWING CONTAINS INFORMATION THAT IS PROPRIETARY TO MOLEX INCORPORATED AND SHOULD NOT BE USED WITHOUT WRITTEN PERMISSION							

20 19 18 17 16 15 14 13 12 11 10 9 8 7 6 5 4 3 2 1

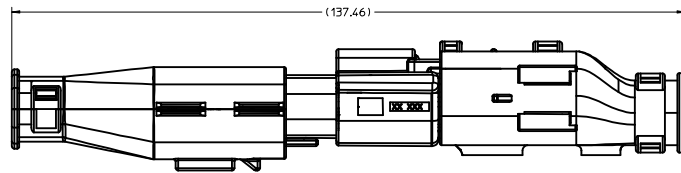
BACKSHELL
THE VIEWS ON THIS SHEET ARE
IN THE CLOSED UN-ASSEMBLED POSITION



Partial W-W
SCALE 4:1

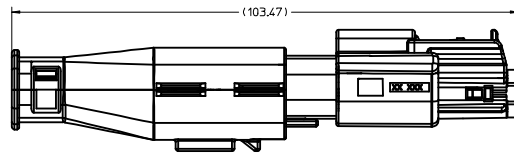
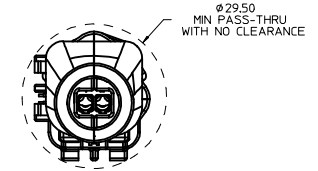
ENTER DESCRIPTION ELEC NO: UAU2014-1319 DRAWN BY: CHYKZ APPR: VKOSHY 2014/02/21 2014/02/25	QUALITY SYMBOLS ∇=0 ∇=0 ∇=0	GENERAL TOLERANCES (UNLESS SPECIFIED) mm INCH 4 PLACES ± --- ± --- 3 PLACES ± --- ± --- 2 PLACES ± 0.10 ± --- 1 PLACE ± 0.20 ± --- 0 PLACE ± --- ± --- ANGULAR ± 3° DRAFT WHERE APPLICABLE MUST REMAIN WITHIN DIMENSIONS	DIMENSION STYLE MM ONLY	SCALE 4:1	DESIGN UNITS METRIC	THIRD ANGLE PROJECTION
	DRAWN BY: M. VANSLAMBRO DATE: 9/16/08 CHECKED BY: M. VANSLAMBRO DATE: 2012/07/12 APPROVED BY: VKOSHY DATE: 2010/03/16	TITLE MX150 1X2 BLADE SEALED ASSEMBLY MAT SEAL	MATERIAL NO. SEE BOM	DOCUMENT NO. SD-33481-021	SHEET NO. 6 OF 8	
	THIS DRAWING CONTAINS INFORMATION THAT IS PROPRIETARY TO MOLEX INCORPORATED AND SHOULD NOT BE USED WITHOUT WRITTEN PERMISSION					

20 19 18 17 16 15 14 13 12 11 10 9 8 7 6 5 4 3 2 1

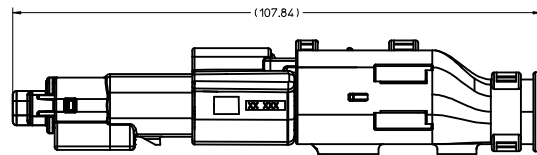
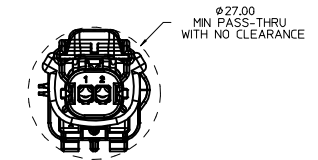


OVERALL MATED SYSTEM WITH BLADE AND RECEPTACLE BACKSHELL

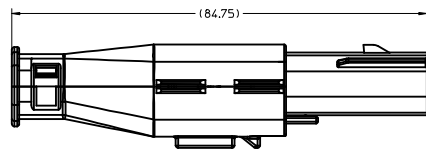
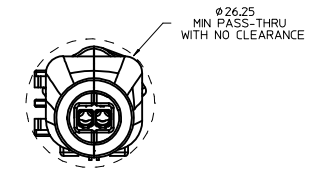
BACKSHELL CONFIGURATIONS



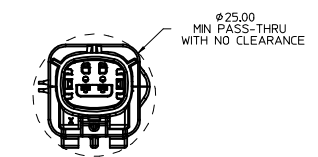
OVERALL MATED SYSTEM WITH BLADE BACKSHELL



OVERALL MATED SYSTEM WITH RECEPTACLE BACKSHELL



BLADE SEALED ASSEMBLY WITH BLADE BACKSHELL



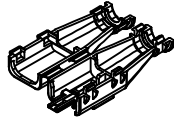
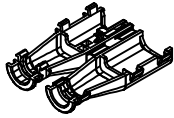
ENTER DESCRIPTION ELEC NO: UAU2014-1319 DRAWN BY: 2014/02/21 CHKD: APPR: VKOSHY 2014/02/25 REV:	QUALITY SYMBOLS ∇=0 ∇=0 ∇=0	GENERAL TOLERANCES (UNLESS SPECIFIED)		DIMENSION STYLE MM ONLY	SCALE 2:1	DESIGN UNITS METRIC	THIRD ANGLE PROJECTION		
		4 PLACES ± --- ± ---	3 PLACES ± --- ± ---	2 PLACES ± 0.10 ± ---	1 PLACE ± 0.20 ± ---	0 PLACE ± --- ± ---	ANGLULAR ± 3 °		DRAFT WHERE APPLICABLE MUST REMAIN WITHIN DIMENSIONS
		DRAWN BY DATE M. VANSLAMBRO 9/16/08		CHECKED BY DATE MVANSLAMBROU 2012/07/12		APPROVED BY DATE VKOSHY 2010/03/16		TITLE MX150 1X2 BLADE SEALED ASSEMBLY MAT SEAL	
		MATERIAL NO. SEE BOM		DOCUMENT NO. SD-33481-021		SHEET NO. 7 OF 8			

19 18 17 16 15 14 13 12 11 10 9 8 7 6 5 4 3 2 1

ASSEMBLY DESCRIPTION	ASSEMBLY PART NUMBERS	A	B	C	D	A	GCO	GCP	GCP2	1	2	STATUS	COMMENTS	BACKSHELL WITH RIBS	BACKSHELL WITHOUT RIBS
KEY A, YELLOW	33481-0210					A	GCO					SALEABLE		34948-0210	34948-0220
KEY A, BLACK	33481-0209	A						GCP2		2		SALEABLE		34948-0210	34948-0220
KEY D, STONE GRAY	33481-0208				D			GCP		1	2	SALEABLE		34948-0210	34948-0220
KEY C, DARK GRAY	33481-0207			C				GCP		1	2	SALEABLE		34948-0210	34948-0220
KEY B, LIGHT GRAY	33481-0206			B				GCP		1	2	SALEABLE		34948-0210	34948-0220
KEY A, BLACK	33481-0205	A						GCP		1	2	SALEABLE		34948-0210	34948-0220
KEY D, STONE GRAY	33481-0204				D		GCO					SALEABLE		34948-0210	34948-0220
KEY C, DARK GRAY	33481-0203			C			GCO					SALEABLE		34948-0210	34948-0220
KEY B, LIGHT GRAY	33481-0202			B			GCO					SALEABLE		34948-0210	34948-0220
KEY A, BLACK	33481-0201	A					GCO					SALEABLE		34948-0210	34948-0220
ASSEMBLY DESCRIPTION	ASSEMBLY PART NUMBERS	A	B	C	D	A	GCO	GCP	GCP2	1	2	STATUS	COMMENTS	BACKSHELL WITH RIBS	BACKSHELL WITHOUT RIBS
BLOCKED TERMINAL														OPTIONAL ATTACHMENTS SOLD SEPARATELY	
CAVITY WITH A NUMBER INDICATES BLOCKED TERMINAL POSITION															
CAVITY WITHOUT A NUMBER INDICATES OPEN TERMINAL POSITION															
MAT SEAL			RUST RED			INHERENTLY LUBRICATED SILICONE									
PLR			NATURAL			SPS/NYLON GF20									
GROMMET CAP (CAVITY 2 PLUGGED)			BLACK			SPS/NYLON GF20									
GROMMET CAP (PLUGGED)			BLACK			SPS/NYLON GF20									
GROMMET CAP (OPEN)			BLACK			SPS/NYLON GF20									
HOUSING - KEYING OPTION A			YELLOW			SPS/NYLON GF20									
HOUSING - KEYING OPTION D			STONE GRAY			SPS/NYLON GF20									
HOUSING - KEYING OPTION C			DARK GRAY			SPS/NYLON GF20									
HOUSING - KEYING OPTION B			LIGHT GRAY			SPS/NYLON GF20									
HOUSING - KEYING OPTION A			BLACK			SPS/NYLON GF20									
DESCRIPTION			COLOR			MATERIAL									
BOM/APPLICABLE COMPONENTS TABLE															

ABBREVIATION	COMPONENT
A	HOUSING KEY A
B	HOUSING KEY B
C	HOUSING KEY C
D	HOUSING KEY D
GCO	GROMMET CAP (OPEN)
GCP	GROMMET CAP (PLUGGED)
GCP2	GROMMET CAP (CAVITY 2 PLUGGED)
P	PLR, STANDARD
M	MAT SEAL
BKS	BACKSHELL

ENTER DESCRIPTION EC NO: UAU2014-1319 DRAWN BY: DRWN:TE CHKD: A10 APPR: VKOSHY 2014/02/21 2014/02/25	QUALITY SYMBOLS ∇=0 ∇=0 ∇=0	GENERAL TOLERANCES (UNLESS SPECIFIED)		DIMENSION STYLE MM ONLY		SCALE	DESIGN UNITS	THIRD ANGLE PROJECTION
		4 PLACES ± .mm ± .INCH 3 PLACES ± .--- ± .--- 2 PLACES ± 0.10 ± .--- 1 PLACE ± 0.20 ± .--- 0 PLACE ± .--- ± .---		DRAWN BY DATE M. VANSLAMBRO 9/16/08		TITLE MX150 1X2 BLADE SEALED ASSEMBLY MAT SEAL		
		ANGULAR ± 3 ° DRAFT WHERE APPLICABLE MUST REMAIN WITHIN DIMENSIONS		CHECKED BY DATE MYVANSLAMBROU 2012/07/12		APPROVED BY DATE VKOSHY 2010/03/16		
		MATERIAL NO. SEE BOM		DOCUMENT NO. SD-33481-021		SHEET NO. 8 OF 8		



1X2 BLADE

TABLE OF CONTENTS	
SHEET NO.	SHEET DESCRIPTION
1	NOTES AND BOM
2	CONFIGURATIONS
3	BACKSHELL DETAIL

BILL OF MATERIALS (BOM)				
PART NUMBER	CIRCUIT SIZE	RIBS	STATUS	MATING ASSEMBLY DRAWING
34948-0210	1X2	YES	SALEABLE	SD-33481-021
34948-0220	1X2	NO	SALEABLE	SD-33481-021

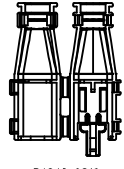
BACKSHELL NOTES: VALID UNLESS OTHERWISE SPECIFIED

1. GENERAL:
 - a. APPLICATION SPECIFICATION SEE: AS-34951-001
 - DESIGNED TO MATE WITH RECEPTACLE SEALED ASSEMBLY AS SPECIFIED IN BOM
 - COMPONENTS ARE OPTIONAL AND MUST BE PURCHASED SEPERATELY
 - BACKSHELL DESIGN IS OWNED BY SCHLEMMER
 - b. PRODUCT SPECIFICATION
 - THESE PRODUCTS ARE ONE TIME USE ONLY.
 - REMOVAL FORCE OF THE BACKSHELL FROM THE MOLEX CONNECTOR TO BE 100N MIN.
 - REMOVAL FORCE OF SLIT CONVOLUTE FROM THE WITH RIB OPTION BACKSHELLS TO BE 100N MIN.
 - REMOVAL FORCE OF UNSLIT CONVOLUTE FROM THE WITH RIB OPTION BACKSHELLS TO BE 100N MIN.
 - c. PACKAGING SPECIFICATION SEE PK-31302-118
 - d. PARTS MUST BE IN COMPLIANCE TO MOLEX CHEMICAL SUBSTANCES FOR PRODUCTS AND PACKAGING SPECIFICATION: OEHS-699000-300
 - e. DATA MUST BE SUBMITTED UNDER THE MOLEX PART NUMBER TO IMDS (COMPANY ID#13255)
 - f. FOLLOWING PRODUCTION CODES TO BE PRESENT
 - DATE CODE
 - MOLD CAVITY CODE
 - MOLEX LOGO
 - RECYCLE CODE
 - SUPPLIER PART NUMBER
2. DESIGN - MATERIALS:
 - a. PA66 0% GLASS FILLED
 - b. BLACK
3. DESIGN GEOMETRY:
 - a. THIS IS A 100% CAD GENERATED PART. THE CAD MATHEMATICAL DATA IS THE MASTER FOR THIS PART. FOR DIMENSIONAL OR ANY INFORMATION NOT SHOWN ON THIS DRAWING, ANALYZE THE CAD MODEL.
 - b. GEOMETRIC DIMENSIONS AND TOLERANCES PER ASME Y14.5M - 2009
 - c. CORNERS SHOWN AS SHARP TO BE R 0.1.
 - d. VISUAL DEFECTS SHALL MEET COSMETIC STANDARD PS-45499-002 (CLASS B).
 - e. DRAFT OF 2° PRESENT.
 - f. ALLOWABLE FLASH, PARTING LINES MISMATCH, EJECTOR PINS MARK, AND GATE VESTIGE TO BE +0.30 MAX PROTUSION.

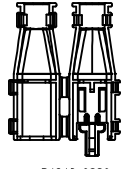
A2	UPDATED BILL OF MATERIALS
A1	UPDATED STATUS COLUMN
A	INITIAL RELEASE
REV	DESCRIPTION

ENTER DESCRIPTION IEC NO. UAU2015-1693 DRAWN BY: GURUSZENSKI, 2015/05/11 CHKD: VKOSHY APPR: VKOSHY 2015/05/12	QUALITY SYMBOLS ∇=0 ∇=0 ∇=0	GENERAL TOLERANCES (UNLESS SPECIFIED) <table border="1"> <thead> <tr> <th></th> <th>mm</th> <th>INCH</th> </tr> </thead> <tbody> <tr> <td>4 PLACES</td> <td>± 0.13</td> <td>± 0.005</td> </tr> <tr> <td>3 PLACES</td> <td>± 0.25</td> <td>± 0.010</td> </tr> <tr> <td>2 PLACES</td> <td>± 0.38</td> <td>± 0.015</td> </tr> <tr> <td>1 PLACE</td> <td>± 0.51</td> <td>± 0.020</td> </tr> <tr> <td>0 PLACE</td> <td>± 0.64</td> <td>± 0.025</td> </tr> </tbody> </table> ANGULAR ± 1 ° DRAFT WHERE APPLICABLE MUST REMAIN WITHIN DIMENSIONS		mm	INCH	4 PLACES	± 0.13	± 0.005	3 PLACES	± 0.25	± 0.010	2 PLACES	± 0.38	± 0.015	1 PLACE	± 0.51	± 0.020	0 PLACE	± 0.64	± 0.025	DIMENSION STYLE MM ONLY	DRAWN BY: KCUNNINGHAM DATE: 2013/06/10 CHECKED BY: DATE:	SCALE: 1.5:1 DESIGN UNITS: METRIC THIRD ANGLE PROJECTION	TITLE: MX150 BLADE SINGLE ROW BACKSHELL
				mm	INCH																			
4 PLACES	± 0.13	± 0.005																						
3 PLACES	± 0.25	± 0.010																						
2 PLACES	± 0.38	± 0.015																						
1 PLACE	± 0.51	± 0.020																						
0 PLACE	± 0.64	± 0.025																						
APPROVED BY: VKOSHY DATE: 2013/06/11	MATERIAL NO.: SEE BOM SIZE: D	DOCUMENT NO.: SD-34948-0001 SHEET NO.: 1 OF 3																						

20 19 18 17 16 15 14 13 12 11 10 9 8 7 6 5 4 3 2 1



34948-0210
1X2 BLADE WITH RIBS



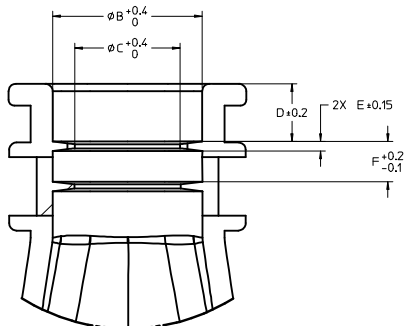
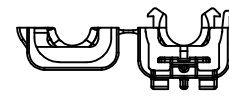
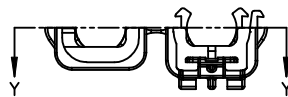
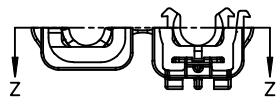
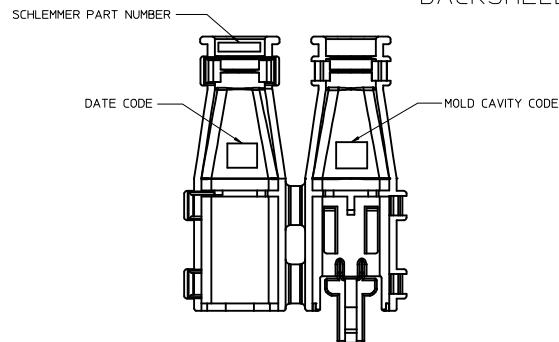
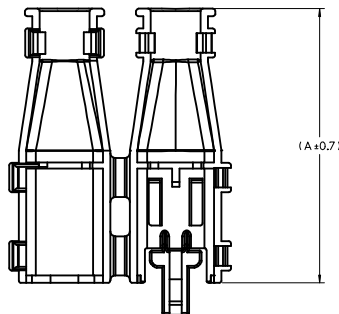
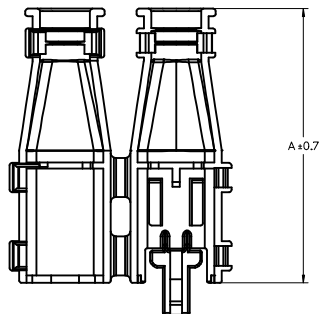
34948-0220
1X2 BLADE WITHOUT RIBS

CONFIGURATION

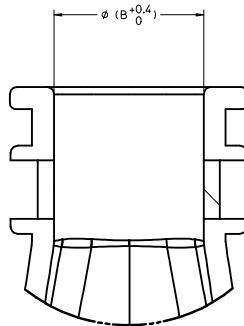
ENTER DESCRIPTION IEC NO: UAU2015-1693 DRAWN BY: BURUSZENSKI, 2015/05/11 CHKD: A2 APPR: VKOSHY, 2015/05/12	QUALITY SYMBOLS ▽=0 ▽=0 ▽=0	GENERAL TOLERANCES (UNLESS SPECIFIED) mm INCH 4 PLACES ± --- ± --- 3 PLACES ± --- ± --- 2 PLACES ± 0.13 ± --- 1 PLACE ± 0.25 ± --- 0 PLACE ± --- ± --- ANGULAR ± 1 ° DRAFT WHERE APPLICABLE MUST REMAIN WITHIN DIMENSIONS	DIMENSION STYLE MM ONLY DRAWN BY: KCUNNINGHAM, DATE: 2013/06/10 CHECKED BY: DATE:	SCALE 1:1 DESIGN UNITS METRIC THIRD ANGLE PROJECTION	TITLE MX150 BLADE SINGLE ROW BACKSHELL molex	MATERIAL NO. SEE BOM	DOCUMENT NO. SD-34948-0001	SHEET NO. 2 OF 3
	THIS DRAWING CONTAINS INFORMATION THAT IS PROPRIETARY TO MOLEX INCORPORATED AND SHOULD NOT BE USED WITHOUT WRITTEN PERMISSION							
	SIZE D							
	INCORPORATED AND SHOULD NOT BE USED WITHOUT WRITTEN PERMISSION							

19 18 17 16 15 14 13 12 11 10 9 8 7 6 5 4 3 2 1

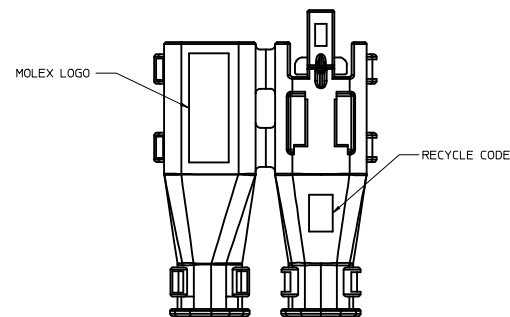
BACKSHELL DETAIL



Partial Z-Z
SCALE 6:1
WITH RIBS



Partial Y
SCALE 6:1
WITHOUT RIBS



PART NUMBER	DIMENSIONS					
	A	B	C	D	E	F
34948-0210	56	10.2	7.2	3.9	0.65	2.7
34948-0220	56	10.2	N/A	N/A	N/A	N/A

ENTER DESCRIPTION IEC NO. UAU2015-1693 DRAWN BY: BURZUSKI, 2015/05/11 CHKD: APPR: VKOSHY 2015/05/12	QUALITY SYMBOLS ▽=0 ▽=0 ▽=0	GENERAL TOLERANCES (UNLESS SPECIFIED) mm INCH 4 PLACES ± --- ± --- 3 PLACES ± --- ± --- 2 PLACES ± 0.13 ± --- 1 PLACE ± 0.25 ± --- 0 PLACE ± --- ± --- ANGULAR ± 1 ° DRAFT WHERE APPLICABLE MUST REMAIN WITHIN DIMENSIONS	DIMENSION STYLE MM ONLY DRAWN BY DATE KCUNNINGHAM 2013/06/10 CHECKED BY DATE APPROVED BY DATE VKOSHY 2013/06/11 MATERIAL NO. SEE BOM SIZE D	SCALE 3:1 DESIGN UNITS METRIC THIRD ANGLE PROJECTION	TITLE MX150 BLADE SINGLE ROW BACKSHELL molex DOCUMENT NO. SD-34948-0001	SHEET NO. 3 OF 3
	THIS DRAWING CONTAINS INFORMATION THAT IS PROPRIETARY TO MOLEX INCORPORATED AND SHOULD NOT BE USED WITHOUT WRITTEN PERMISSION					
	DRAWING INFORMATION					
	REVISIONS					