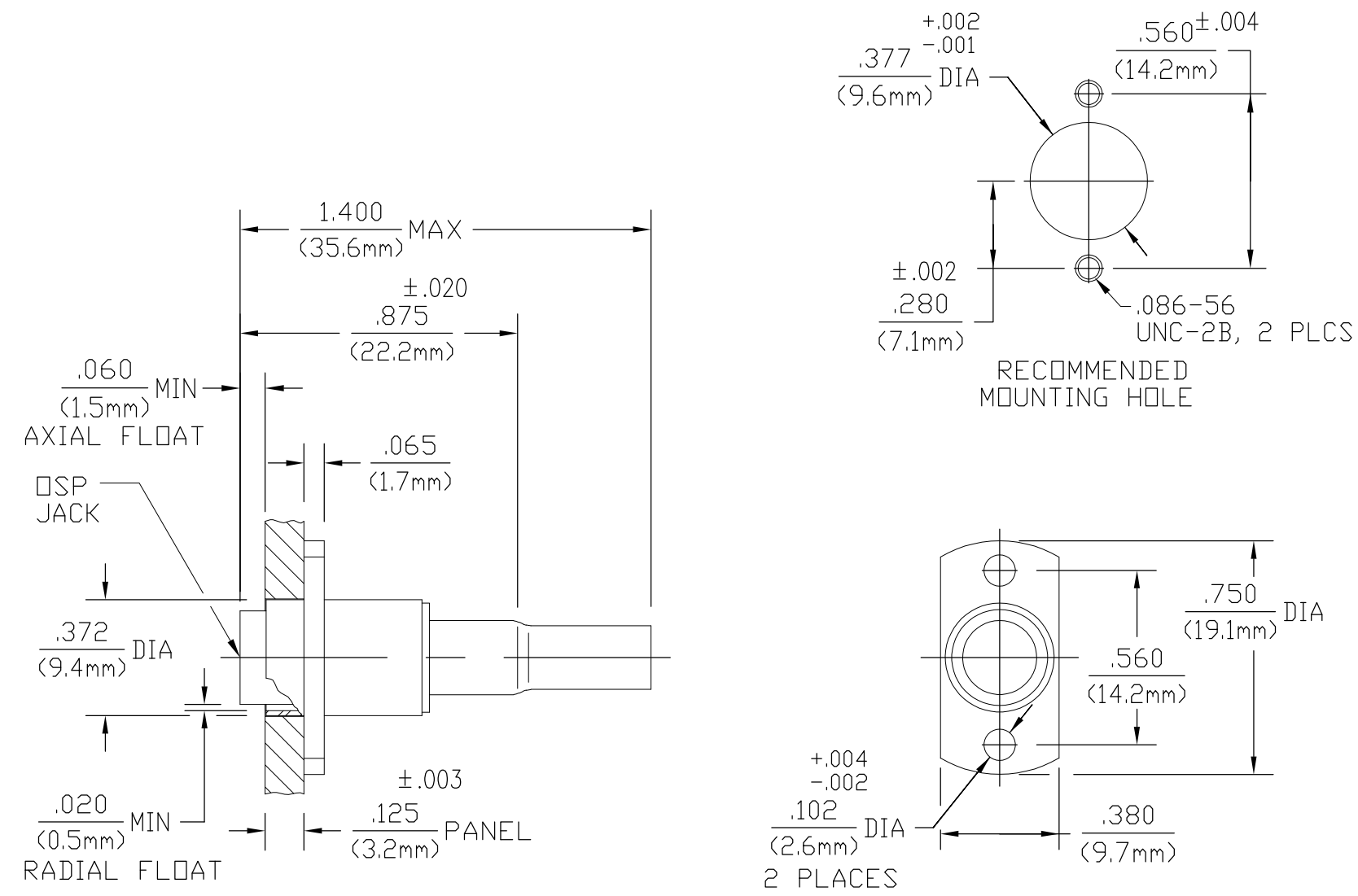


THIS DRAWING IS UNPUBLISHED. RELEASED FOR PUBLICATION
 © COPYRIGHT BY TYCO ELECTRONICS CORPORATION. ALL INTERNATIONAL RIGHTS RESERVED.

LOC	DIST	REVISIONS					
		P	LTR	DESCRIPTION	DATE	DWN	APVD
—	—	B		REV PER ECO 08-021971	20NOV08	PK	WM



DESIGNED FOR USE WITH RG 142/U & SIMILAR CABLES	
CABLE ENTRY DIAMETER MINIMUM	
HOUSING	.122
FERRULE	.216
CONTACT	.042

COMPONENT	MATERIAL	FINISH
HOUSING FLAT WASHER SPRING	STAINLESS STEEL PER ASTM-A484 AND ASTM-A582, TYPE 303	PASSIVATE PER ASTM-A380
DIELECTRIC	TFE FLUOROCARBON PER ASTM-D-1457	N/A
CENTER CONTACT	BERYLLIUM COPPER PER ASTM B 196, ALLOY C17300, CONDITION H	GOLD PLATE PER MIL-G-45204 OVER COPPER PLATE PER MIL-C-14550
CONTACT SLEEVE	BERYLLIUM COPPER PER ASTM B 196, ALLOY C17300, CONDITION H	GOLD PLATE PER MIL-G-45204 OVER NICKEL PLATE PER QQ-N-290
CONTACT RING	BERYLLIUM COPPER PER ASTM B 194, ALLOY C17200, CONDITION H	GOLD PLATE PER MIL-G-45204 OVER COPPER PLATE PER MIL-C-14550
RETAINING RING	BERYLLIUM COPPER PER ASTM B 194, ALLOY C17200, CONDITION H	NICKEL PLATE PER QQ-N-290 OVER COPPER PLATE PER MIL-C-14550
SHRINK TUBING	HEAT SHRINKABLE POLYOLEFIN COMPOUND MIL-I-23053/4	N/A
FERRULE	COPPER OR BRASS ALLOY ROCKWELL F65 MAXIMUM	GOLD PLATE PER MIL-G-45204 OVER COPPER PLATE PER MIL-C-14550

ELECTRICAL	MECHANICAL	ENVIRONMENTAL
Nominal Impedance (Ohms) <u>50</u>	Interface Dimensions Per MIL-STD-348A FIG 321-2	TEMPERATURE RATING <u>-65° TO +125°C</u>
Frequency Range (GHz) <u>DC to 12.4</u>	Mating Characteristics:	Vibration MIL-STD-202, Method 204, Condition D
Volt Rating (VRMS MAX) @ Sea Level <u>335</u>	Insertion (MAX Lbs) <u>3</u>	Shock MIL-STD-202, Method 213, Condition I
VSWR <u>1.15+0.01f(GHz)</u> DC to 12.4 GHz	Withdrawal (MIN Oz) <u>1</u>	Thermal Shock MIL-STD-202, Method 107, Condition B
Insertion Loss (dB MAX) <u>.03 √f(GHz)</u>	Force to Engage (In/Lbs MAX) <u>3</u> & Disengage (In/Lbs MAX) <u>1.5</u>	Except High Temp Shall Be +115°C
RF Leakage (dB MIN) (Interface Only, Fully Mated) <u>-(85-f(GHz))</u>	Center Contact Captivation	Moisture Resistance MIL-STD-202, Method 106, Except Step 7b
Corona, 70,000 Ft (VRMS MIN) <u>250</u>	Axial (Lbs) <u>6</u>	Shall Be Omitted
Dielectric Withstanding Voltage (VRMS MIN) @ Sea Level <u>1000</u>	Cable Retention	Corrosion - MIL-STD-202, Method 101, Condition B
Contact Resistance (Milliohms MAX)	Axial Force (Lbs MIN) <u>45</u>	
Center Contact <u>3.0</u>	Weight (Grams) <u>TBD</u>	
Outer Contact <u>2.0</u>		
Cable to Housing <u>0.5</u>		
RF High Potential @ Sea Level (VRMS MIN @ 5 MHz) <u>670</u>		
I.R.(Megohms MIN) <u>5000</u>		

THIS DRAWING IS A CONTROLLED DOCUMENT.

DIMENSIONS: INCHES	TOLERANCES UNLESS OTHERWISE SPECIFIED:	DWN K.C. MAHER 1/28/88	Tyco Electronics Corporation Harrisburg, PA 17105-3608
	0 PLC ± -	CHK MH/M 1-29-88	
	1 PLC ± -	APVD PCV 1-29-88	
	2 PLC ± -	PRODUCT SPEC	
MATERIAL SEE TABLE	FINISH SEE TABLE	APPLICATION SPEC	NAME
		WEIGHT -	OSP FLOATING 2 HOLE FLANGE MOUNT CABLE JACK CRIMP ATTACHMENT
		CUSTOMER DRAWING	SIZE A3 CAGE CODE 00779 DRAWING NO C-1059530 RESTRICTED TO -
		SCALE 2:1	SHEET 1 of 1 REV B