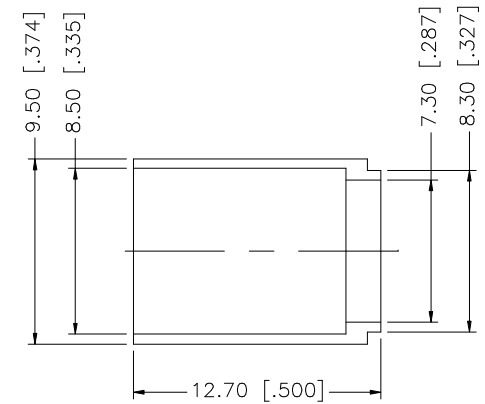
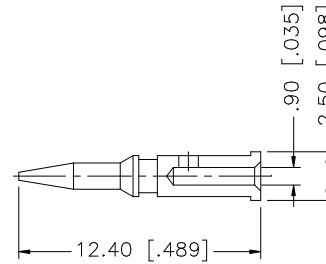
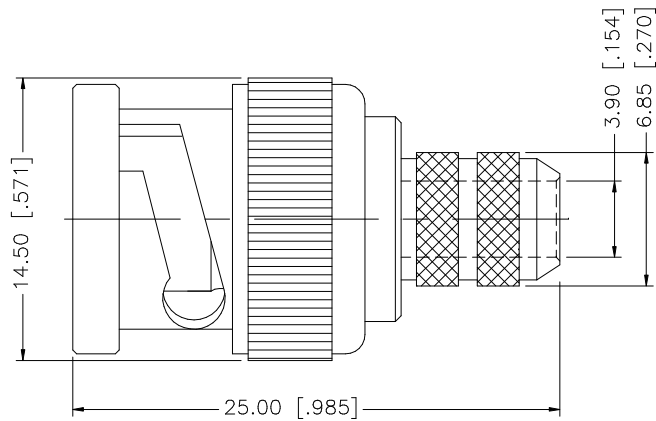
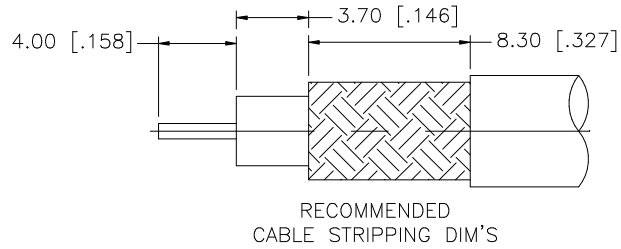


REV.	DATE	DESCRIPTION
A	05/31/00	MODIFY CONTACT PIN CRIMP NOTE
B	07/11/00	NMODIFY BARREL I.D. TO 3.9
C	07/25/05	UPDATE DRAWING FORMAT / PART DESCRIPTION



CRIMP NOTES:

1. CRIMPED FERRULE
HEX CRIMP SIZE .324"
2. CRIMPED CONTACT PIN
HEX CRIMP SIZE .068"

8					UNLESS OTHERWISE SPECIFIED DIMENSIONS ARE IN MILLIMETERS. DIMENSIONS IN [] ARE IN INCHES AND FOR CUSTOMER REFERENCE ONLY.	APPROVALS	DATE	Amphenol Connex		
7						DRAWN	G.R.S.			
6					UNLESS OTHERWISE SPECIFIED TOLERANCES FOR MILLIMETERS ARE: 0.5 - 8mm ± 0.20mm 8 - 30mm ± 0.40mm 30 - 120mm ± 0.50mm	CHECKED		PART DESCRIPTION BNC CRIMP PLUG (COMMSCOPE F59HEC-2, B 1186A, 59 DOUBLE BRAID TIMES FIBER 2248K, 2779V, 2240V, 2241V)		
5						ISSUED				
4	FERRULE	COPPER	NICKEL	1	UNLESS OTHERWISE SPECIFIED TOLERANCES FOR INCHES ARE: .020 - .315 = ± 0.007" .315 - 1.180 = ± 0.015" 1.180 - 4.724 = ± 0.020"	SHEET	1 OF 1	PART NO. 112650		
3	CONTACT PIN	BRASS	GOLD	1						
2	INSULATOR	DELTRIN	NATURAL	1				DWG. NO. 112650.DWG		
1	BODY	BRASS	NICKEL	1						
	DESCRIPTION	MATERIAL	FINISH	QTY	DO NOT SCALE DRAWING	CAD FILE	C:/112/112650.DWG			