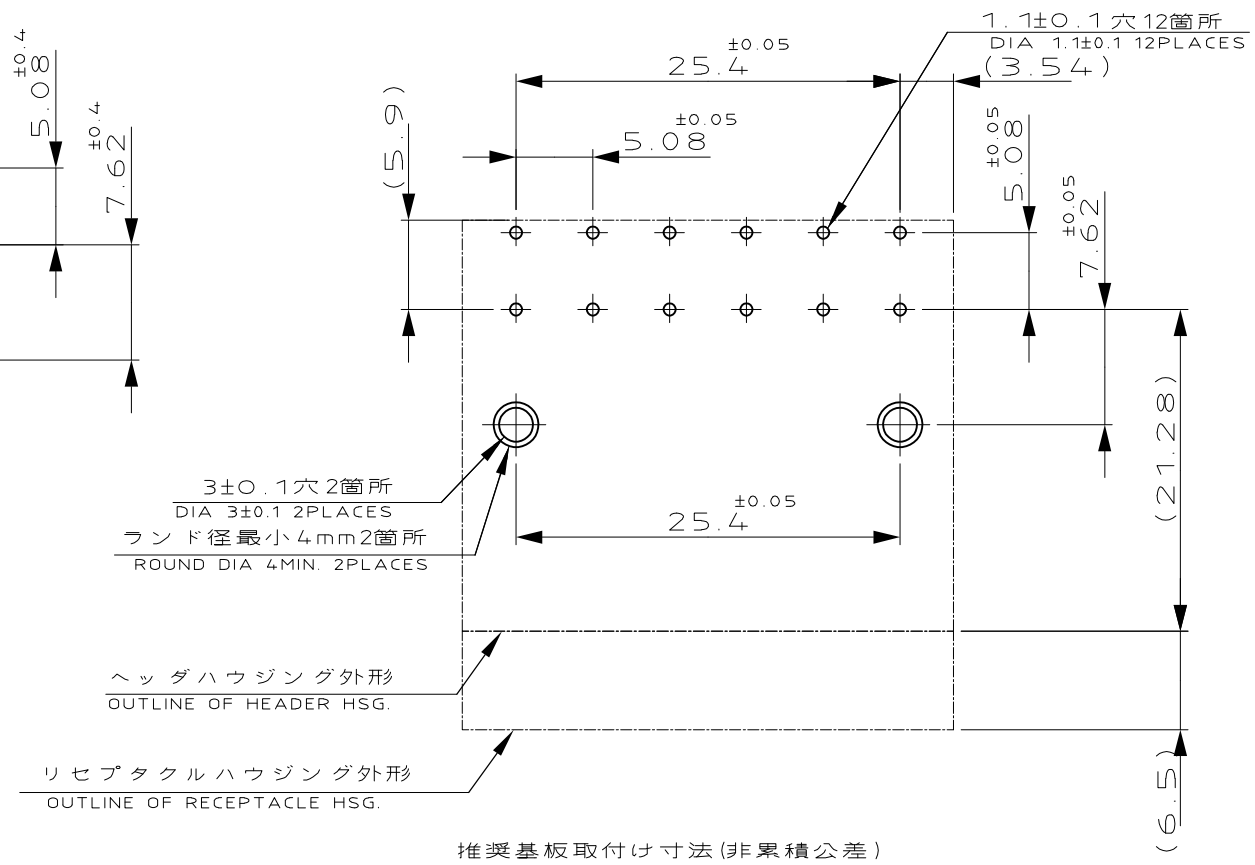
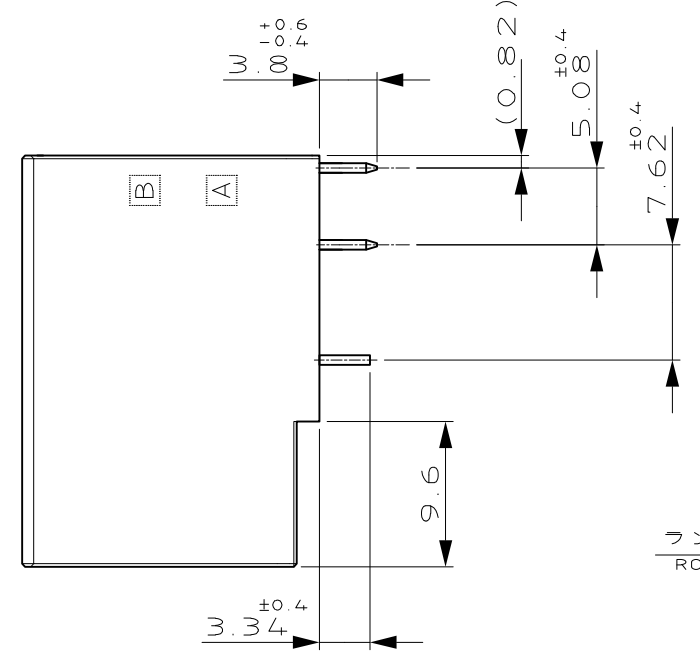
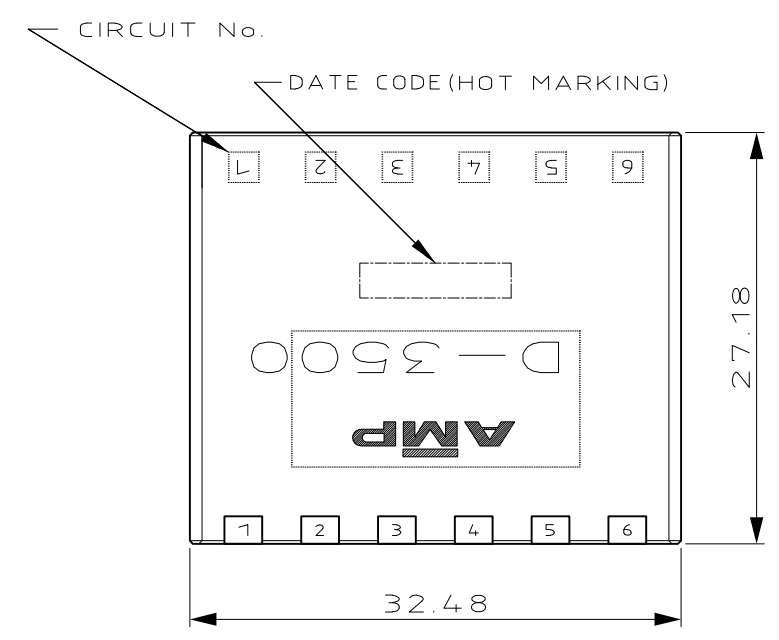
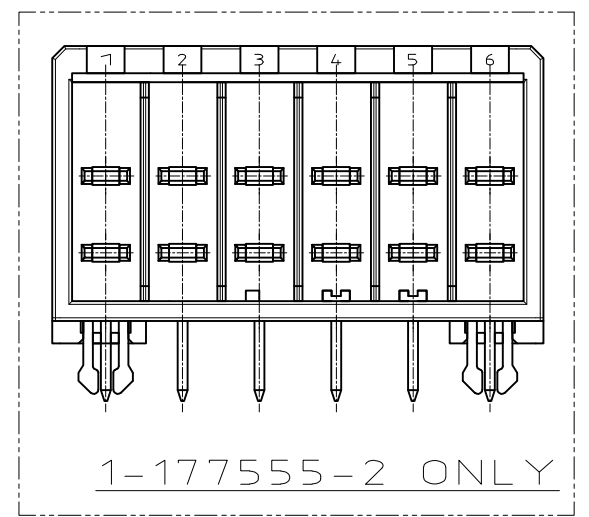
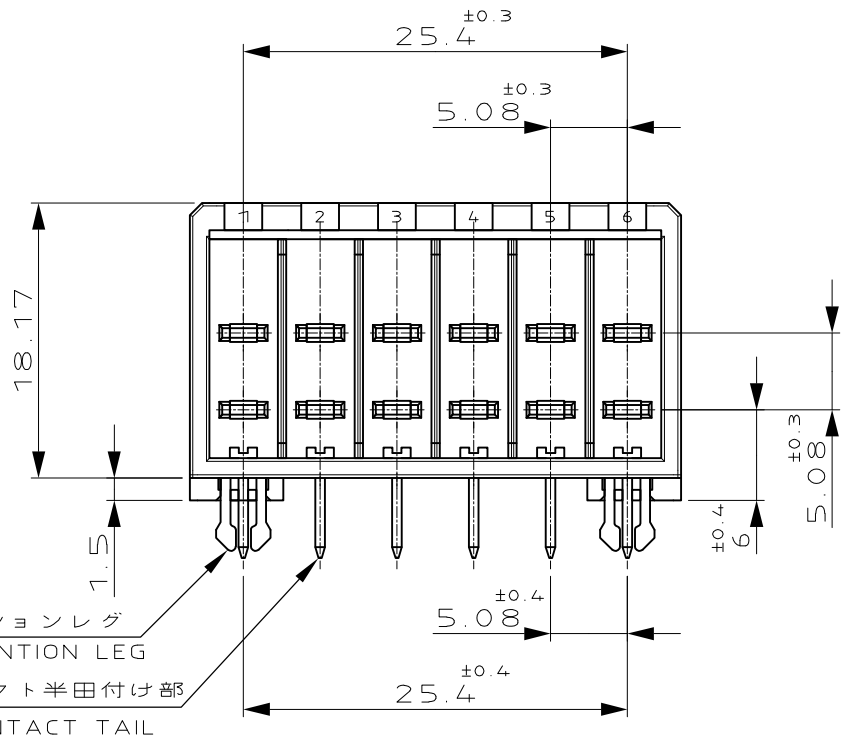


REVISIONS					
P	LTR	DESCRIPTION	DATE	DWN	APVD
E		REVISED PER ECR-17-002262	28FEB2017	K.T	E.T



推奨基板取付け寸法 (非累積公差)
 RECOMMEND PC BOARD HOLE (NOT ACCUMULATE TOLERANCE)
 PC BOARD THICKNESS: 1.6 ±0.1
 基板厚: 1.6 ±0.1



- 1 材料: 熱可塑性ポリエステル樹脂(ガラス入り)
色: 黒
- 2 製品規格: 108-5349
- 3 製品認定報告書: 501-5013
- △ 接触部仕上げ: ニッケル下地 0.38 μm MIN. 金メッキ
- △ 接触部仕上げ: ニッケル下地 0.76 μm MIN. 金メッキ
- △ 接触部仕上げ: ニッケル下地 2.0 μm MIN. 金メッキ
- △ レグおよび脚部仕上げ: ニッケル下地半田メッキ
- △ レグおよび脚部仕上げ: ニッケル下地スズメッキ
- 1 MATERIAL: GLASS FIELD THERMO PLASTIC, POLYESTER.
COLOR: BLACK
- 2 PRODUCT SPEC: 108-5349
- 3 QUALIFICATION TEST REPORT: 501-5013
- △ FINISH (CONTACT AREA): 0.38 μm MIN. GOLD PLT. OVER NICKEL.
- △ FINISH (CONTACT AREA): 0.76 μm MIN. GOLD PLT. OVER NICKEL.
- △ FINISH (CONTACT): 2.0 μm MIN. TIN PLT. OVER NICKEL.
- △ FINISH (RETENTION LEG AND CONTACT TAIL): TIN LEAD PLT. OVER NICKEL.
- △ FINISH (RETENTION LEG AND CONTACT TAIL): TIN PLT. OVER NICKEL.

△ 8	△ 6	-5
△ 8	△ 5	-3
△ 8	△ 4	177555-2
△ 8	△ 4	1-177555-2
FINISH		PART NUMBER

THIS DRAWING IS A CONTROLLED DOCUMENT.		DWN T-YONEBAYASHI 7/7/'92	TE Connectivity	
		CHK S.MANABE 6/AUG/'92		
DIMENSIONS: mm		APVD S.MANABE 6/AUG/'92	NAME	
TOLERANCES UNLESS OTHERWISE SPECIFIED: ±0.3		PRODUCT SPEC	DYNAMIC(D-3500) 12 POS. HDR. ASS'Y	
0-PLC ±		APPLICATION SPEC	-	
1-PLC ±		WEIGHT	-	
2-PLC ±		CUSTOMER DRAWING	SIZE A3	CAGE CODE 00779
3-PLC ±			DRAWING NO. C-177555	RESTRICTED TO
4-PLC ±			SCALE 1:2	SHEET 1 OF 1
ANGLES ±3'			REV E	
FINISH				
MATERIAL SEE NOTE				