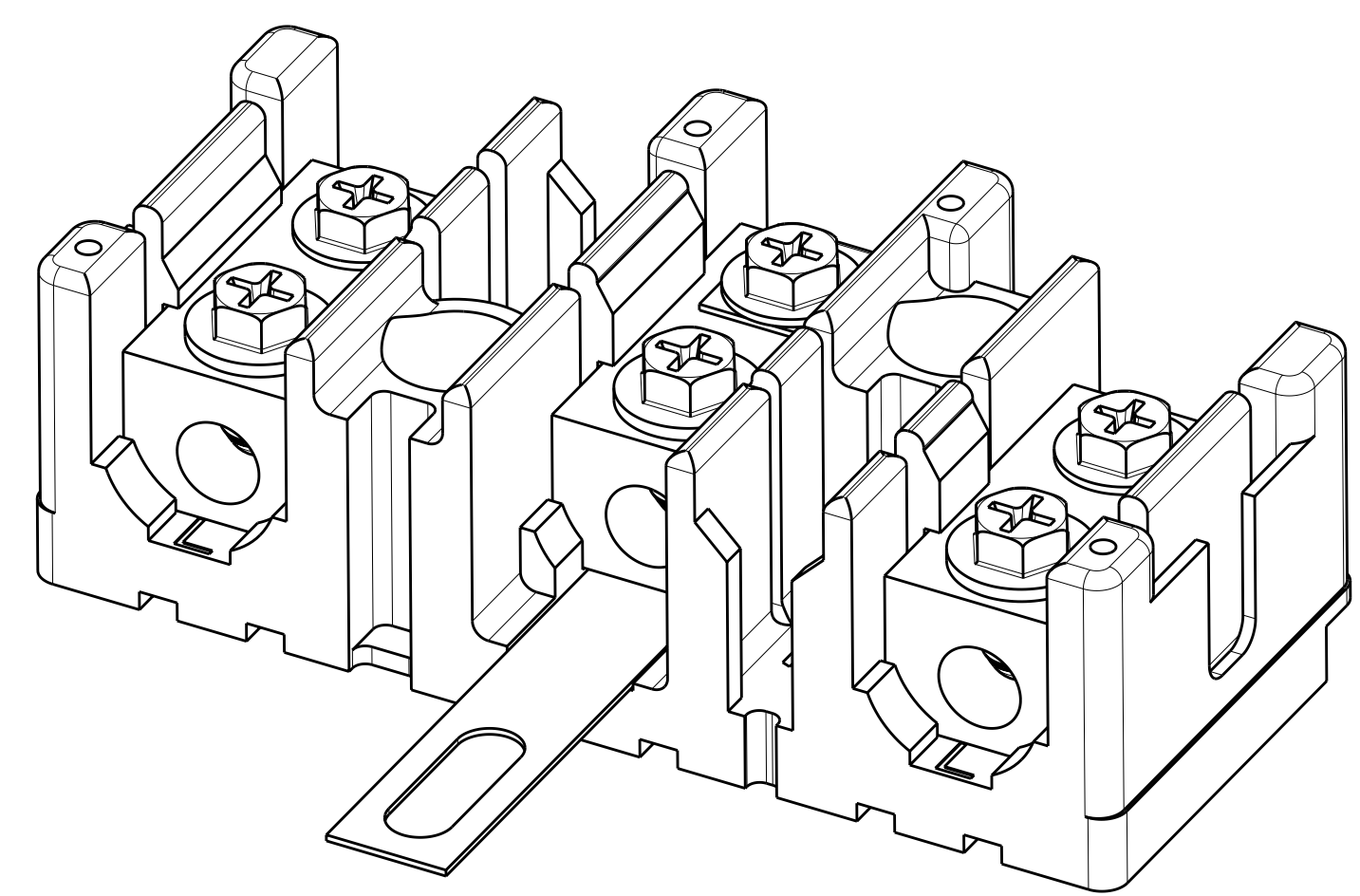
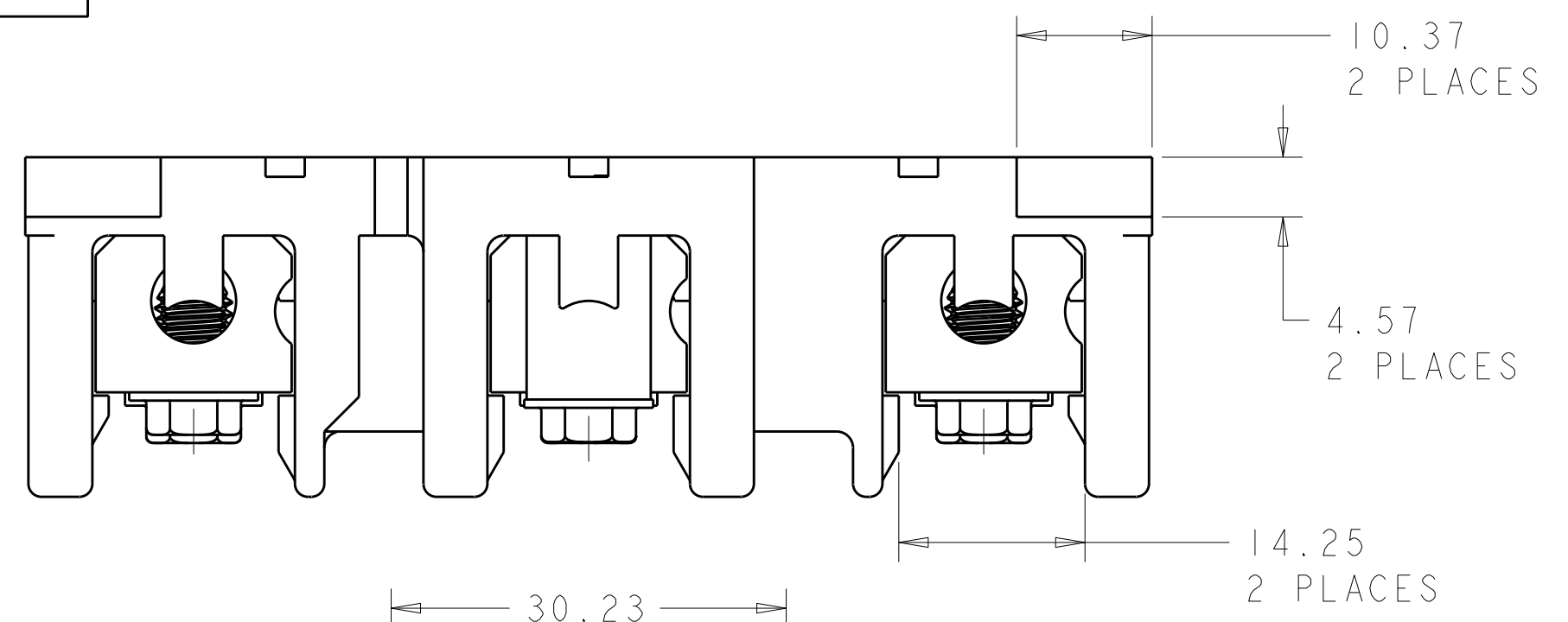
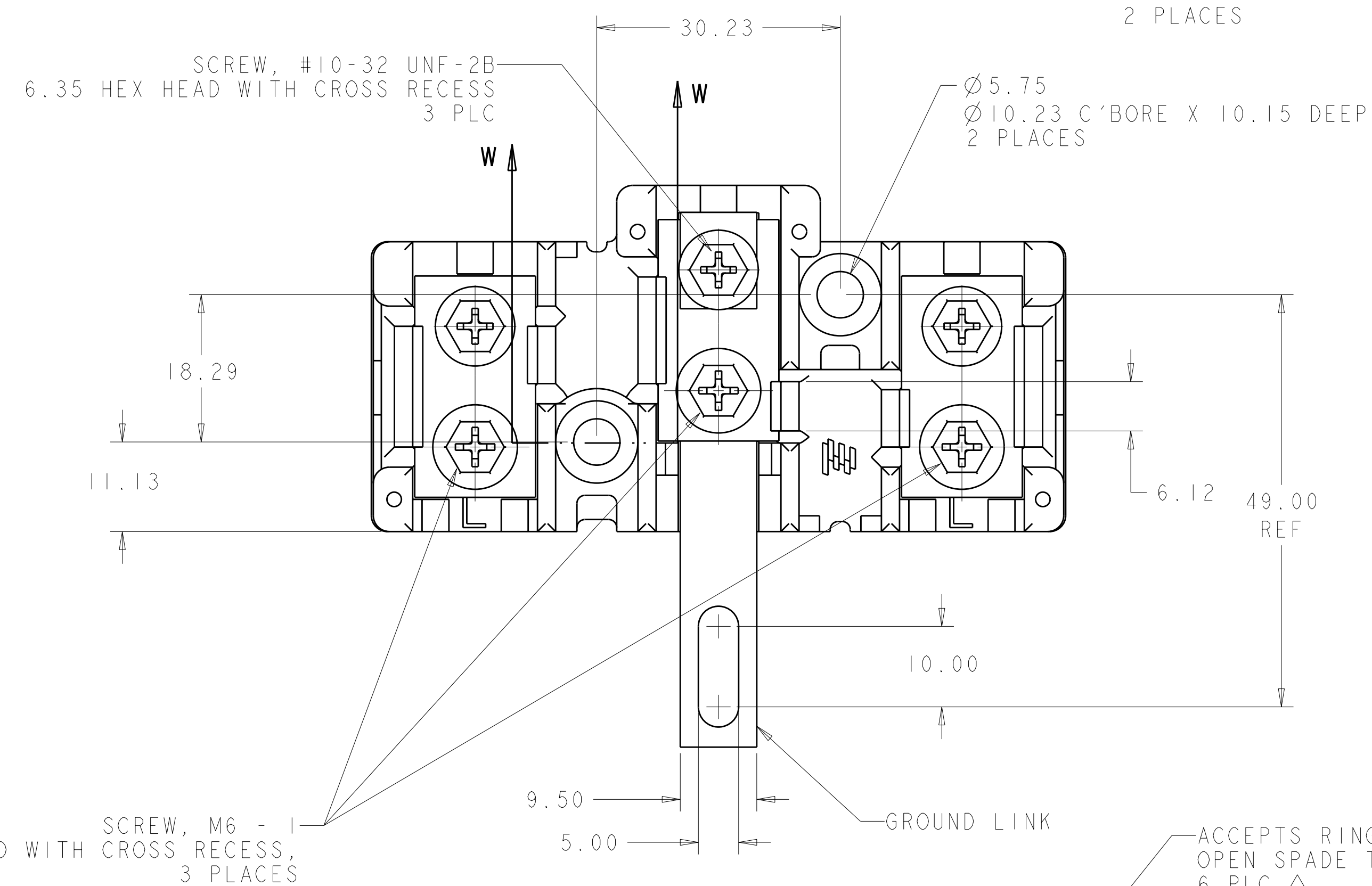


| LOC | DIST | REV | DATE | BY | APPV |
|-----|------|-----|-----------|----|------|
| AF | 50 | H4 | 23MAY2012 | KH | GJ |



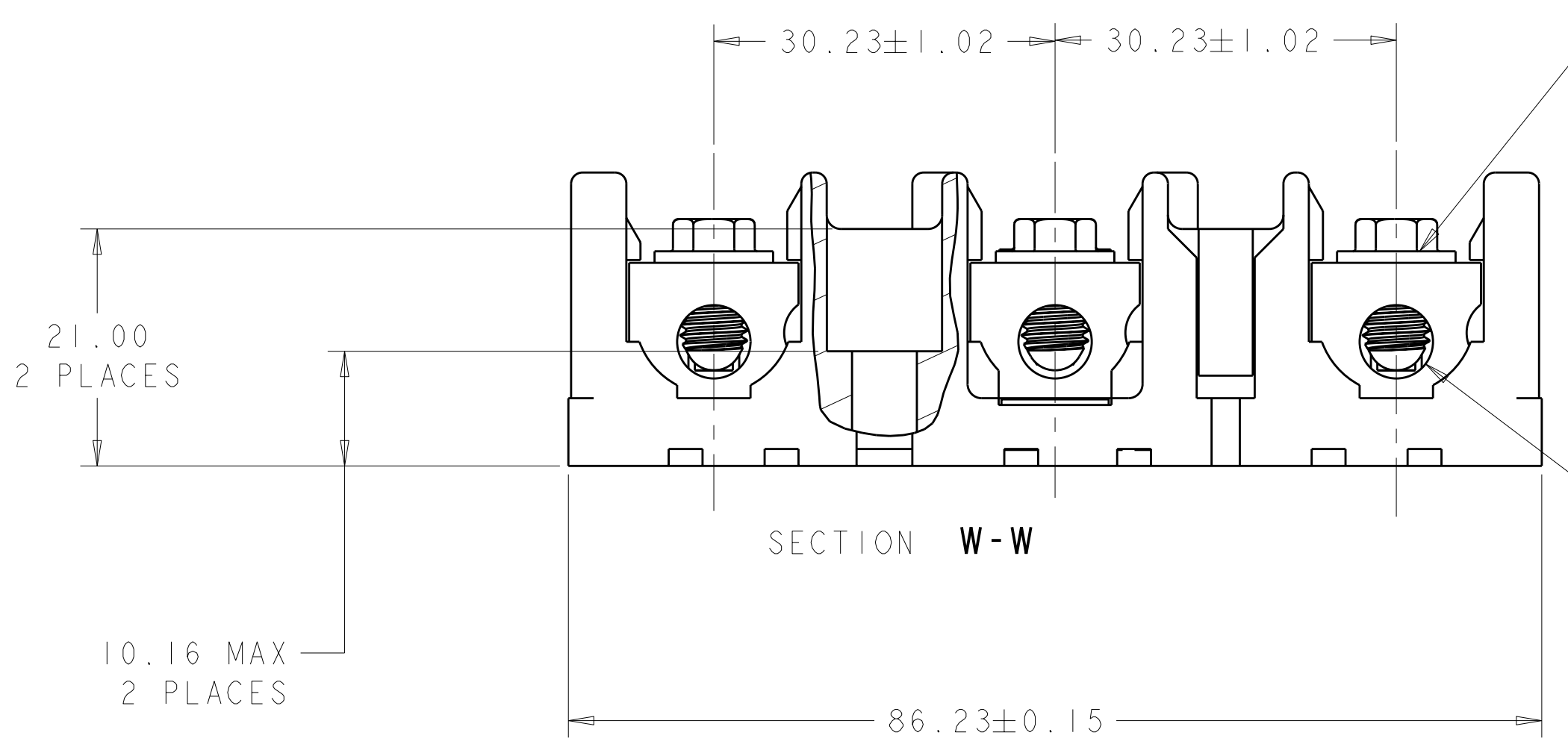
SCALE 2:1

- 1 MATERIAL:
HOUSING: PBT, UL 94 V-0, COLOR:BLACK
SCREWS (6mm AND #10): STEEL
CLAMP BLOCK: ALUMINUM
GROUND LINK: COPPER
- 2 FINISH:
6mm SCREW: ZINC
#10-32 SCREW: NICKEL
CLAMP BLOCK: TIN
- 3 REFER TO TYCO ELECTRONICS DRAWING C-1604281 FOR REQUIRED SCREW.
- 4 DESIGNED FOR USE IN ELECTRIC RANGES AND RECOGNIZED UNDER UL/CSA REQUIREMENTS; CONDITIONS OF ACCEPTABILITY APPLY PER UL FILE, SEE APPLICATION SPECIFICATION.
- 5 SCREWS PACKAGED 3 PER POLY BAG.
- 6 SCREWS BULK PACKAGED, 360 PER POLY BAG
- 7 SEE DRAWING C-1604281 FOR REQUIRED SCREWS
- 8 PRELIMINARY - NOT FOR PRODUCTION
- 9 OBSOLETE

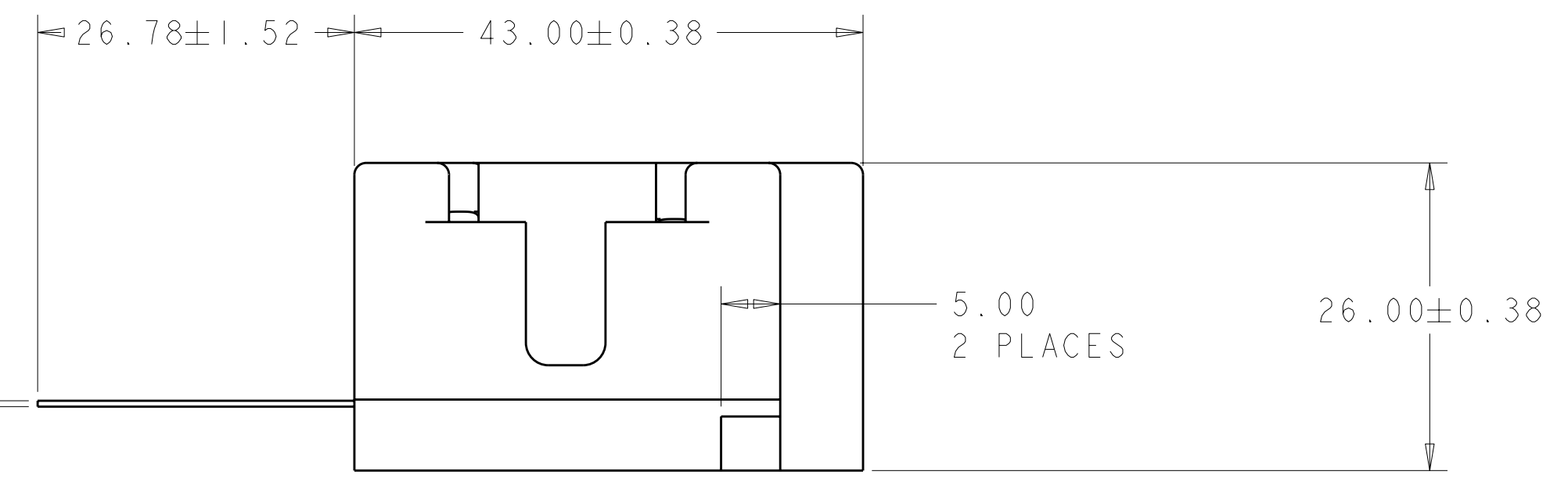


SCREW, M6 - 1
6.35 HEX HEAD WITH CROSS RECESS,
3 PLACES

ACCEPTS RING-TONGUE OR
OPEN SPADE TERMINALS
6 PLC



Ø6.50 REF
ACCEPTS #4 THRU #10 AWG WIRE
3 PLACES



| | | | | |
|---|----------------------|---|----------------------|-----------|
| - | SUPPLIED UNINSTALLED | 3 | SUPPLIED UNINSTALLED | 1604532-9 |
| 3 | SUPPLIED UNINSTALLED | - | NOT SUPPLIED | 1604532-8 |
| - | NOT SUPPLIED | 3 | INSTALLED | 1604532-7 |
| 3 | SUPPLIED UNINSTALLED | 3 | INSTALLED | 1604532-6 |
| - | NOT SUPPLIED | - | NOT SUPPLIED | 1604532-5 |
| 3 | INSTALLED | 3 | SUPPLIED UNINSTALLED | 1604532-4 |
| 3 | SUPPLIED UNINSTALLED | 3 | INSTALLED | 1604532-3 |
| 3 | INSTALLED | 3 | INSTALLED | 1604532-2 |
| - | NOT SUPPLIED | 3 | SUPPLIED UNINSTALLED | 1604532-1 |

| QTY | #10-32 UNF | QTY | M6 - 1 | ASSEMBLY PART NUMBER |
|------------------------|------------|-----|--------|----------------------|
| SCREW ASSEMBLY OPTIONS | | | | |

THIS DRAWING IS A CONTROLLED DOCUMENT.

DIMENSIONS: mm
 TOLERANCES UNLESS OTHERWISE SPECIFIED:
 9 PLC ±
 3 PLC ±0.25
 5 PLC ±
 4 PLC ±
 ANGLES ±1°
 MATERIAL:
 FINISH:

DWN: R. FLAIG 09NOV2004
 CHK: D. DECKER 09NOV2004
 APVD: D. DECKER 09NOV2004
 NAME: ASSEMBLY, TERMINAL BLOCK LOW PROFILE POWER BLOCK
 PRODUCT SPEC: 108-2136
 APPLICATION SPEC: 114-13100
 WEIGHT: -
 CUSTOMER DRAWING

TE Connectivity
 SIZE: CAGE CODE DRAWING NO. RESTRICTED TO: A100779C-1604532
 SCALE: 2:1 SHEET 1 OF 1 REV: H4