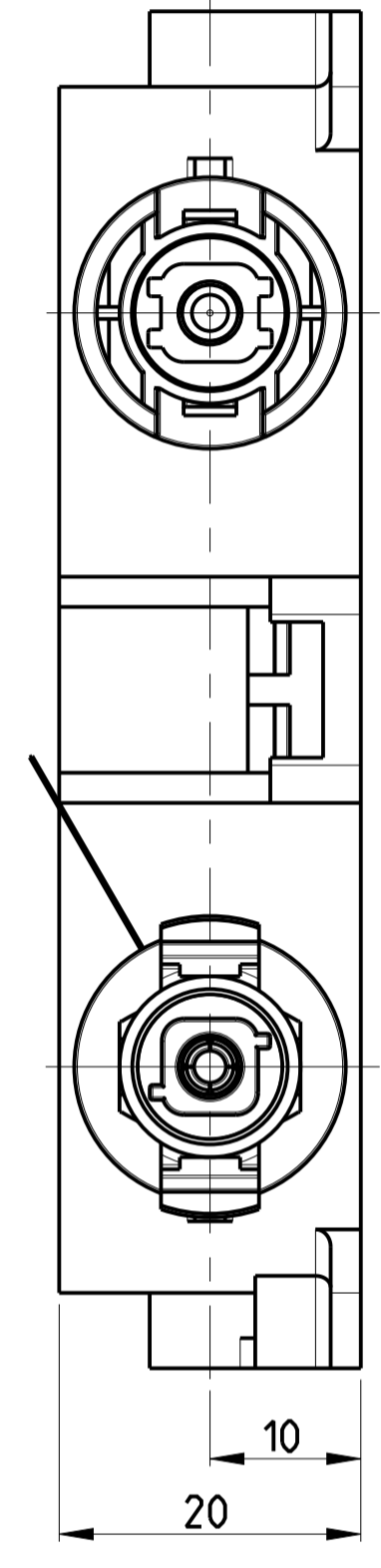
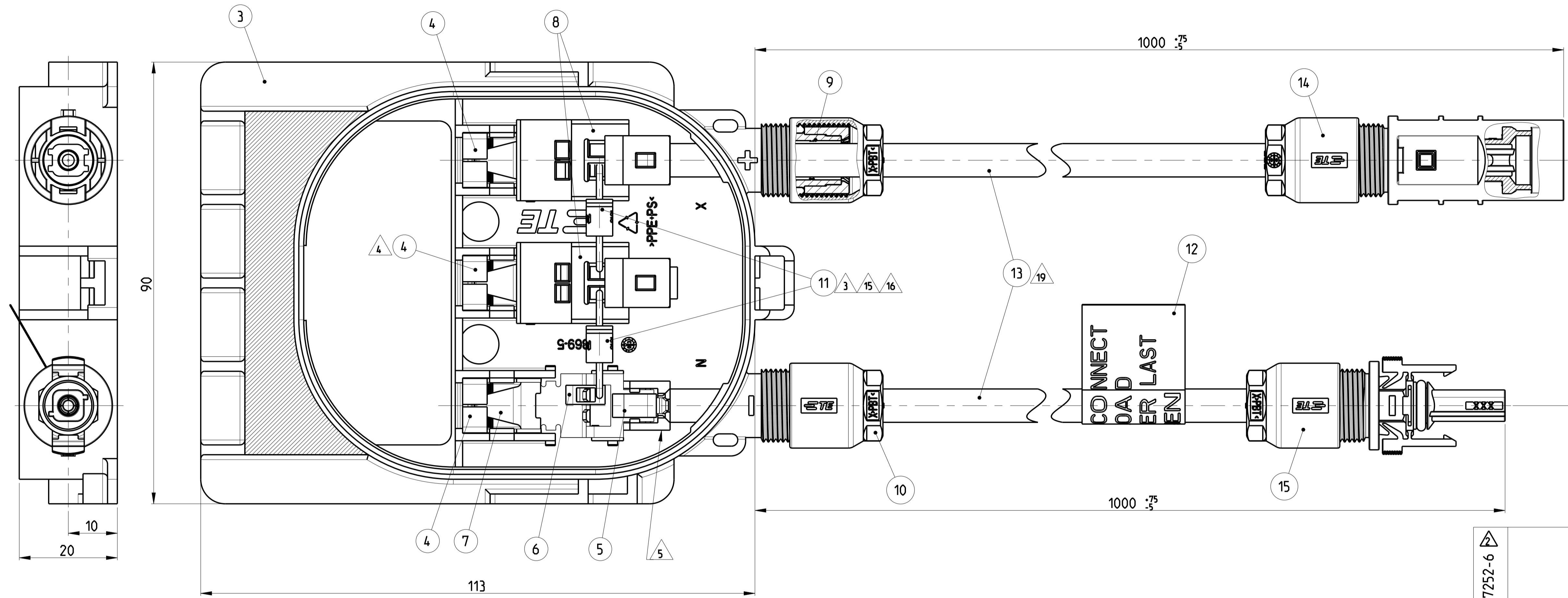
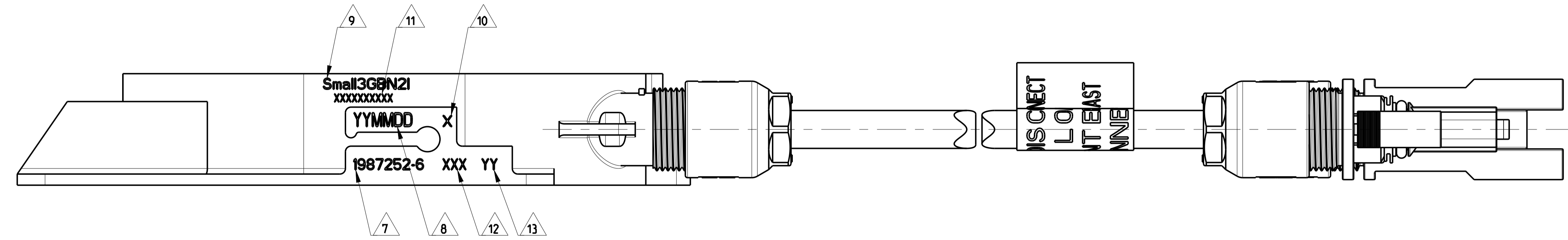


LOC	DIST	REV	DESCRIPTION	DATE	DWN	APVD
A2	-	B1	PINCHRING, SEAL AND CABLE TOL. CHANGED	25FEB2010	RPT	A.W
		C1	MODEL CODE-ALTERN. DIODES ADDED (PCN E-11-020468)	10OCT2011	ER	A.W
		D1	MEMBRANE VENTS MOVED INTO BOX COVER	12MAY2012	VP	MS
		E	ZHSCGB CABLE IS ADDED AS ALTERNATIVE CABLE	19MAR2014	KR	TD



-6 AS SHOWN

1987252-6		TE CONNECTIVITY		
QTY.	ITEM-NO.	DESCRIPTION	SURFACE COLOUR	MATERIAL
1	17	RING FOR ULTRASONIC WELDING	BEIGE	-
1	16	MEMBRANE VENTS	BLACK	-
1	15	CONNECTOR MINUS. SOCKET	-	-
1	14	CONNECTOR NEUTRAL. PIN	-	-
2	13	CABLE 4mm ² /AWG12. ZHSCG. TE CONNECTIVITY	BLACK	-
1	12	LABEL	-	-
2	11	BYPASS DIODE TYPE: SL1010	-	-
2	10	CABLE SCREW JOINT	BLACK	PBT
2	9	PINCH RING SEAL INMOLDED. ASSY	BLACK	PA66 / LSR
3	8	SHROUDING COVER	BLACK	PET
3	7	FOIL SPRING	PLAIN	STAINLESS STEEL
6	6	SPRING CLAMP WITH ANTI OVERSTRESS	PLAIN	STAINLESS STEEL
2	5	SPRING CLAMP WITH ANTI OVERSTRESS	PLAIN	STAINLESS STEEL
3	4	CONTACT RAIL	TIN HOT DIPPED	CuZn
1	3	SOLAR MODULE BOX. LOWER PART	-	-
1	2	O-RING	RED	SILICONE
1	1	SOLAR MODULE BOX COVER. ASSY	BLACK	PPE-PS

THIS DRAWING IS A CONTROLLED DOCUMENT.

DIMENSIONS: mm

TOLERANCES UNLESS OTHERWISE SPECIFIED: mm

MATERIAL: -

Customer Drawing

DWN: A.ROEHNISCH 27-JAN-09
 CHE: M.STRELOW 28-JAN-09
 APVD: A.W. DOEBER 28-JAN-09

NAME: SOLAR MODULE BOX SMALL WITH CABLE. ASSY

PRODUCT SPEC: -
 PRODUCT SPEC: 108-18955
 APPLICATION SPEC: -
 VERBODEN TOEGANG: 114-10408-1
 TITELBLATT: -

WEIGHT: -
 DEWICHT: -

SCALE: 2:1

SHEET: 1 OF 2

REV: E

LOC	DIST	REVISONS	APPROVED	DATE	DWN	APVD
A2	-	DESCRIPTION				
		PROJECT NO. EGGM00114				
		SEE SHEET 1				

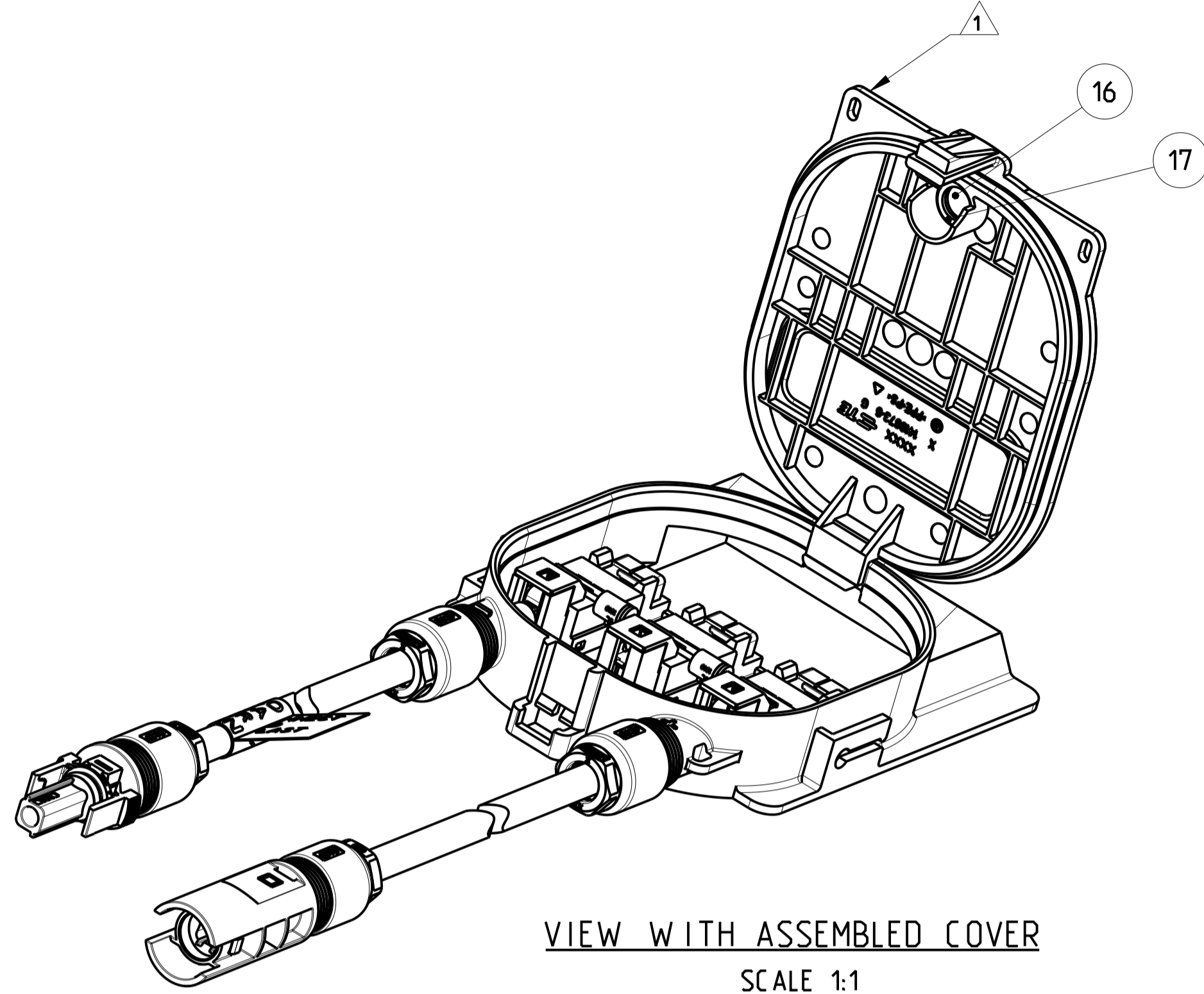
- △ COVER ITEM NO. 1 AND O-RING ITEM NO. 2 NOT SHOWN. COVER NOT ASSEMBLED WITH LOWER PART. ENCLOSE LOOSELY (SEE NOTE 2).
- △ PACKAGING: 40 PIECES SOLAR MODULE BOX SMALL WITH CABLE, ASSY'S PACKAGED IN CORRUGATED SHIPPING BOX. 2 LAYERS OF 19 PIECES AND 1 LAYER OF 2 PIECES. USED CORRUGATED LAYER PAD FOR INTERLAYER. SECOND LAYER OF 19 PIECES COVERED WITH CORRUGATED LAYER PAD. THERE ON THE THIRD LAYER OF 2 PIECES. THIRD LAYER COVERED WITH CORRUGATED LAYER PAD.

40 PIECES SOLAR MODULE BOX COVER ASSY'S BULK PACKAGED IN ESD PLASTIC BAG PUT ON THE THIRD LAYER CORRUGATED LAYER PAD.

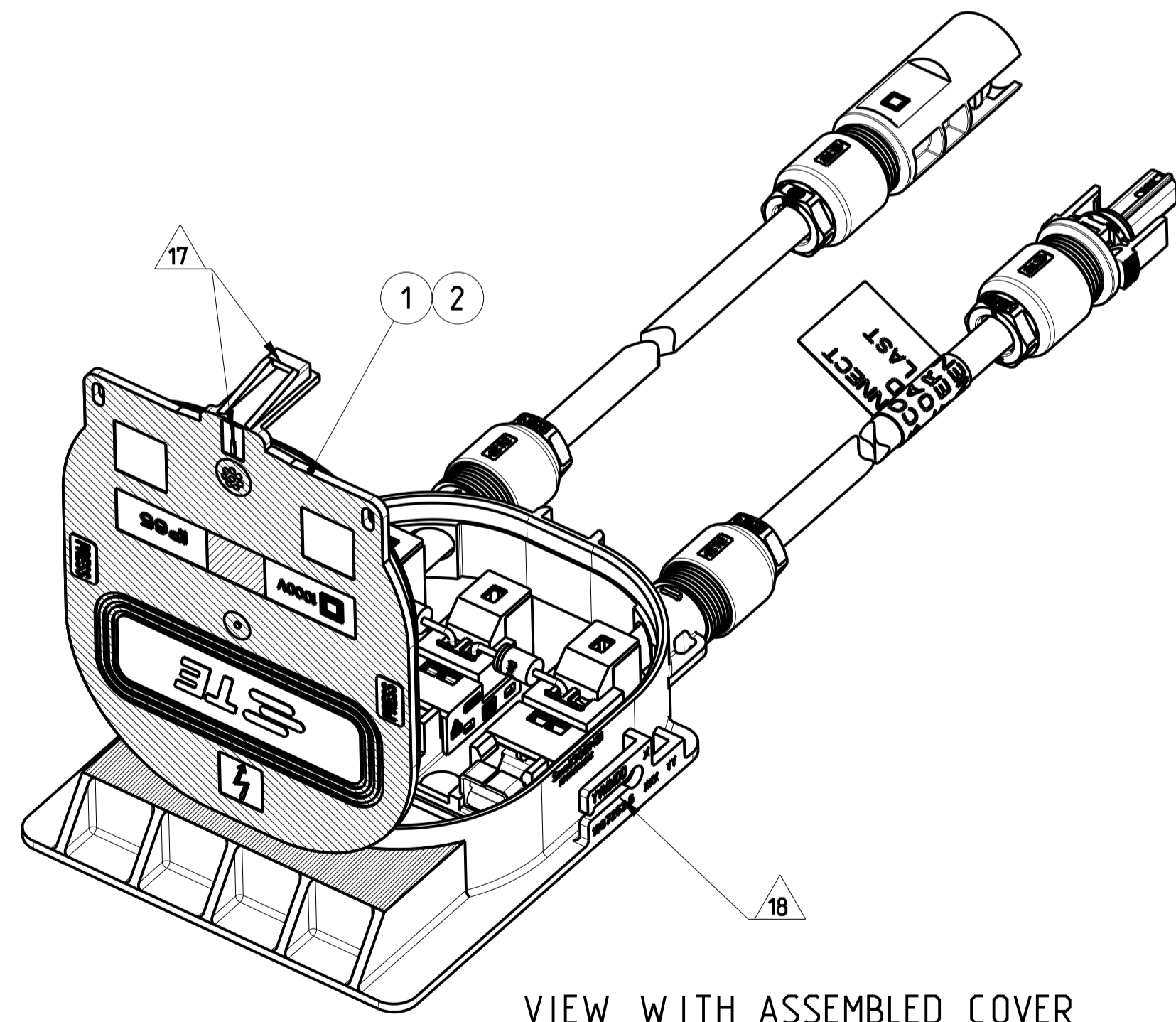
ON TOP USED AS COVER CORRUGATED LAYER PAD.

PACKAGING UNIT: 40 PIECES
 STANDARD PACKAGING QUANTITY: 40 PIECES

- △ DIODE ACCORDING TO SPECIFICATION 108-94045-1.
- △ CONTACT RAIL ITEM NO. 4 CAN BE ALSO ASSEMBLED WITH SPRING CLAMP ITEM NO. 5. OPTIONAL.
- △ SHROUDING COVER ITEM NO. 8 NOT SHOWN
- 6 FOR CABLES PER APPLICATION SPEC. 114-18488-1 WITH OUTER DIAMETER 5.5-7.8
- △ PART NUMBER WITH PREFIX AND SUFFIX NUMBER
- △ PRODUCTION DATE (YYMMDD)
- △ MODEL CODE ACCORDING TE-SPEC. 404-74000-1
- △ MARK FOR DIODE TYPE: LEAVE BLANK FOR DIODE SL1010. A FOR DIODE SL1110. B FOR DIODE SL1110B.
- △ CONSECUTIVE SERIAL NUMBER.
- △ MANUFACTURING LOCATION CODE.
- △ TEST EQUIPMENT NUMBER
- 14 I_{SCmax} = 10.5A ACC. IEC 61215 ED. 2.0. SECTION 10.18
- △ DIODE SL1110 ACC. SPEC. 108-94119 OR DIODE SL1110B ACC. SPEC. 108-2444 CAN BE ALTERNATIVELY USED.
- △ ONLY DIODES OF THE SAME TYPE RESP. DESIGNATION ARE PERMITTED FOR USE IN ONE AND THE SAME SOLAR MODULE BOX. ONLY SOLAR MODULE BOXES WITH THE SAME DIODES ARE PERMITTED TO PACK IN ONE AND THE SAME CORRUGATED SHIPPING BOX.
- △ SOLAR CABLE. ZHSCGB PN 1983530-1 CAN BE ALTERNATIVELY USED.



VIEW WITH ASSEMBLED COVER
 SCALE 1:1



VIEW WITH ASSEMBLED COVER
 SCALE 1:1

MOUNTING INSTRUCTION FOR COVER, ASSY:

- MOUNT COVER, ASSY ITEM NO. 1 AND 2 INTO THE LOWER PART ITEM NO. 3 AND CLOSE IT. (LATCH SNAP IN).
- RE-OPEN: PUT IN MARKED OPENING △ SCREWDRIVER 3mm AND MOVE LATCH UNTIL LOCKING LATCH FREE THE COVER, ASSY. OPEN COVER, ASSY ITEM NO. 1 AND 2 AND PUT IN LATERAL RETAINING SLOT △.

-6 AS SHOWN

THIS DRAWING IS A CONTROLLED DOCUMENT.		DWN: A.ROEHNISCH 27-JAN-09 CHK: M.STRELOW 28-JAN-09 APPD: A.W. OEBER 28-JAN-09	TE CONNECTIVITY	
DIMENSIONS: MASSEMEETER: mm		TOLERANCES UNLESS OTHERWISE SPECIFIED: ALIGEMENT: mm	NAME: SOLAR MODULE BOX SMALL WITH CABLE, ASSY	
		0 PLC ± 1 PLC ± 2 PLC ± 3 PLC ± 4 PLC ± 5 IN SHOWN: PLACHE #PARK	PRODUCT SPEC: 108-18955 APPLICATION SPEC: 114-18488-1 VERBODEN TOEGANG TOT ALLE RECHTEN	
MATERIAL: -		WEIGHT: - DEWICHT: -	SIZE: A1 CAGE CODE: 00779 DRAWING NO.: 1987252-6	RESTRICTED TO: -
		Customer Drawing	SCALE: 2:1	SHEET 2 OF 2 REV E