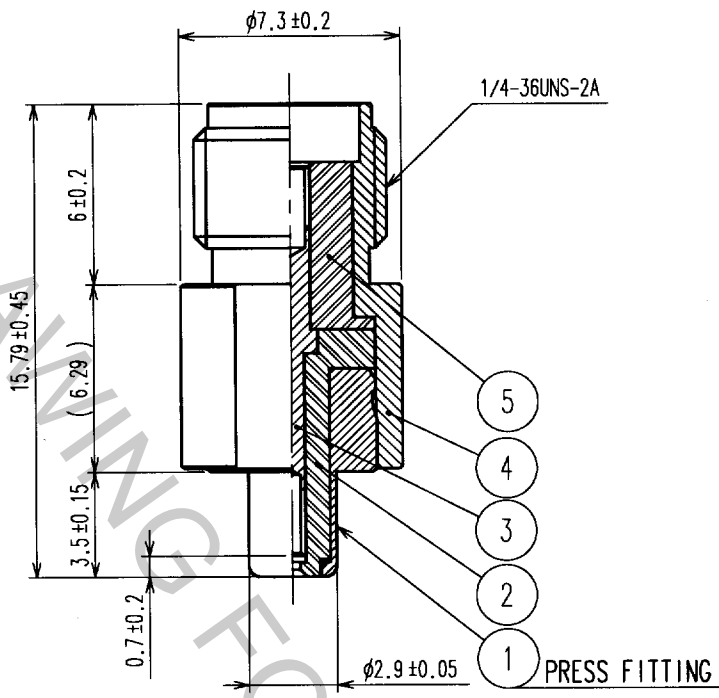
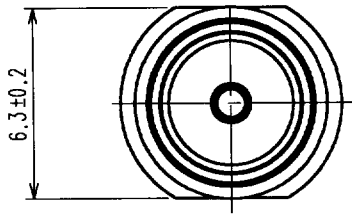


1			2			3			4					
COUNT	DESCRIPTION OF REVISIONS	BY	CHKD	DATE	COUNT	DESCRIPTION OF REVISIONS	BY	CHKD	DATE	COUNT	DESCRIPTION OF REVISIONS	BY	CHKD	DATE
△					△					△				
△					△					△				
△					△					△				



NOTE
1. PLEASE USE THIS AS A INSPECTION PLUG, MATING WITH MS-151-C(LP).

3	BERYLLIUM COPPER	GOLD PLATING	5	PTFE	
2	PTFE		4	STAINLESS STEEL	PASSIVATE
1	PHOSPHOR BRONZE	NICKEL PLATING			
NO.	MATERIAL	FINISH, REMARKS	NO.	MATERIAL	FINISH, REMARKS

CODE NO. (OLD) CL	DRAWN <i>Yamashita</i> 04.8.24	DESIGNED <i>Yamashita</i> 04.8.24	CHECKED <i>R. Kano</i> 04.8.26	APPROVED <i>Yamashita</i> 04.8.26	RELEASED
----------------------	--------------------------------------	---	--------------------------------------	---	----------

	DRAWING NO. EDC4-180214	PART NO. MS151J-HRMJ
SCALE 4 : 1 UNITS mm	HIROSE ELECTRIC CO., LTD.	CODE NO. CL355-0088-4

TO
RFD

1/1