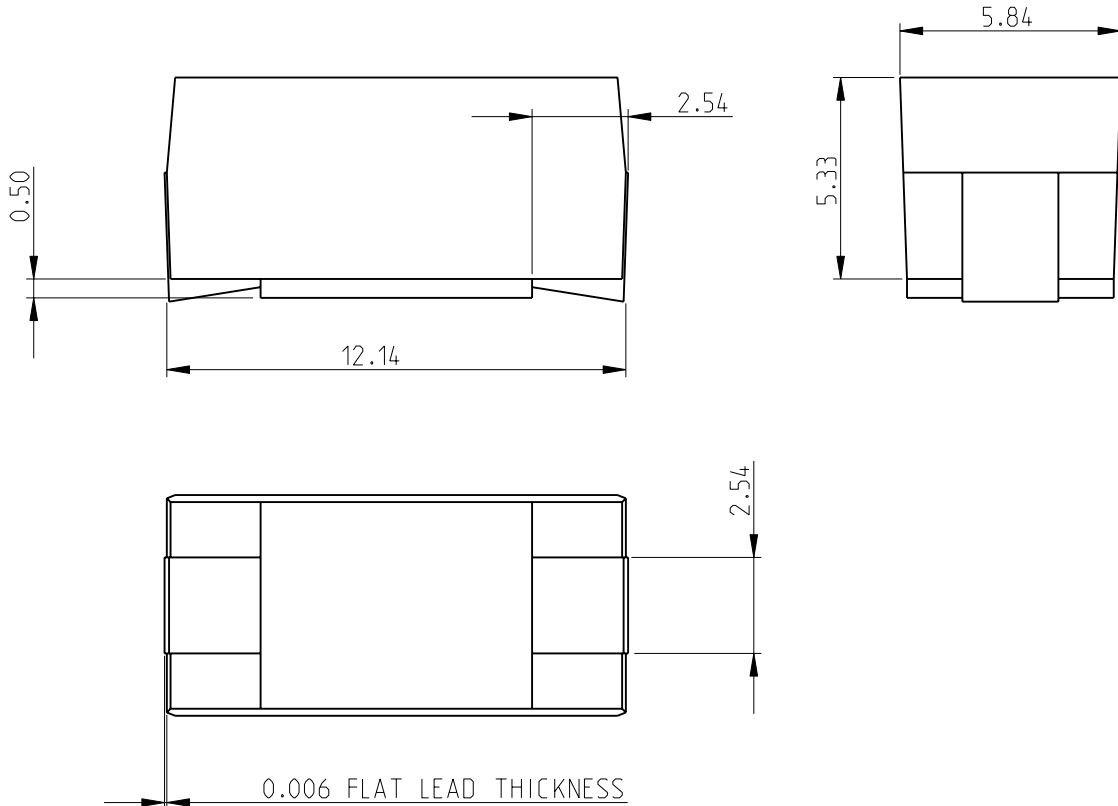
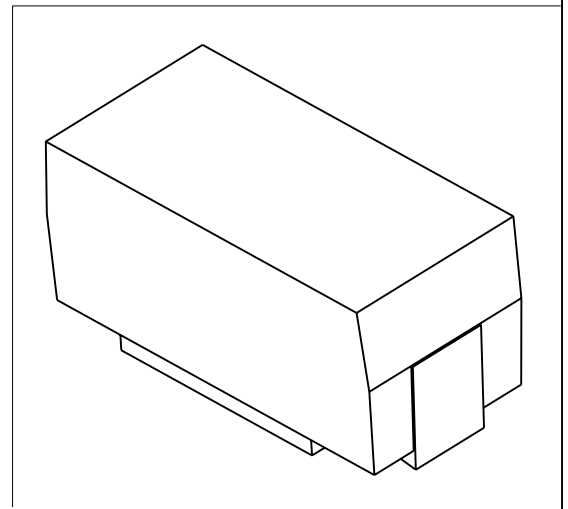
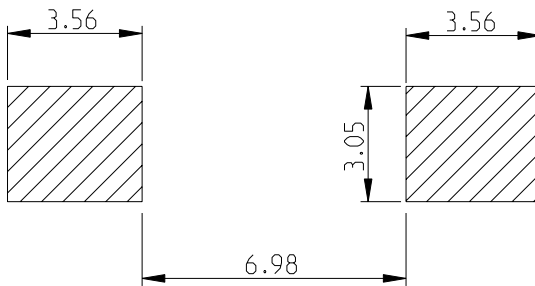


| LOC | DIST | REVISIONS   |             |            |      |      |
|-----|------|-------------|-------------|------------|------|------|
| P   | LTR  | DESCRIPTION | DATE        | DWN        | APVD |      |
| E   | B    | BA          | NEW RELEASE | 10JULY2010 | PT   | St.P |

FOR FURTHER INFORMATION SEE DATA SHEET FOR  
SERIES S - SMD MOULDED POWER RESISTOR



RECOMMENDED LAND PATTERN



2008

RELEASED FOR PUBLICATION

THIS DRAWING IS UNPUBLISHED.

© COPYRIGHT 2008 BY TYCO ELECTRONICS CORPORATION. ALL RIGHTS RESERVED.

|   |                                  |  |                    |
|---|----------------------------------|--|--------------------|
| DIMENSIONS:<br>mm                         | DWN<br>PARUSURAM.T<br>10JULY2010 | MATERIAL<br>-  | FINISH<br>-        |
| TOLERANCES UNLESS<br>OTHERWISE SPECIFIED: | CHK<br>ALLAN.P<br>10JULY2010     | Tyco Electronics Corporation<br>Dorcan, Swindon, SN3 5HH |                    |
| 0 PLC ±0.2                                | APVD<br>STEPHEN.P<br>10JULY2010  |  |                    |
| 1 PLC ±0.1                                | PRODUCT SPEC<br>-                | NAME<br>SMD MOULDED POWER RESISTOR<br>SERIES SP2         |                    |
| 2 PLC ±                                   | APPLICATION SPEC<br>-            | SIZE<br>A 4  | CAGE CODE<br>00779 |
| 3 PLC ±                                   |                                  | DRAWING NO<br>C-1624307                                  | RESTRICTED TO<br>- |
| 4 PLC ±                                   |                                  |  |                    |
| ANGLES ±5°                                | WEIGHT<br>-                      | SCALE 5:1 SHEET 1 OF 1 REV BA                            |                    |
|   |                                  | CUSTOMER DRAWING   |                    |