

## Description

The 5P49V6967 is a programmable clock generator intended for high-performance consumer, networking, industrial, computing, and data-communications applications. This is IDT's sixth generation of programmable clock technology (VersaClock 6E).

The frequencies are generated from a single reference clock. The reference clock can originate from one of the two redundant clock inputs. A glitchless manual switchover function allows one of the redundant clocks to be selected during normal operation.

Two select pins allow up to four different configurations to be programmed and may be used for different operating modes.

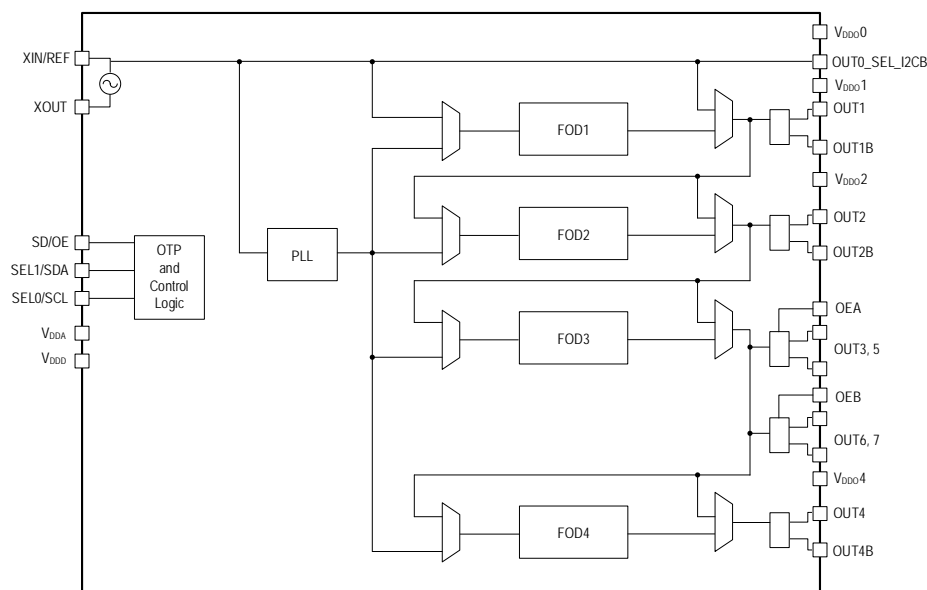
## Typical Applications

- Ethernet switch/router
- PCI Express 1–4
- Broadcast video/audio timing
- Multi-function printer
- Processor and FPGA clocking
- Any-frequency clock conversion
- MSAN/DSLAM/PON
- Fiber Channel, SAN
- Telecom line cards
- Datacenter

## Features

- Flexible 1.8V, 2.5V, 3.3V power rails
- High-performance, low phase noise PLL, < 0.5ps RMS typical phase jitter on outputs
- Four banks of internal OTP memory
  - In-system or factory programmable
- I<sup>2</sup>C serial programming interface
  - 0xD0 or 0xD4 I<sup>2</sup>C address options allow multiple devices configured in a same system.
- Reference LVCMOS output clock
- Three Universal configurable outputs (OUT1, 2, 4):
  - Differential (LVPECL, LVDS, or HCSL) 1kHz to 350MHz
  - Two single-ended (in-phase or 180 degrees out of phase) 1kHz to 200MHz
  - I/O VDDs can be mixed and matched, supporting 1.8V (LVDS and LVCMOS), 2.5V, or 3.3V
  - Independent spread spectrum on each output pair
- Four additional LPHCSL outputs (OUT 3, 5, 6, 7)
  - 1.8V low power supply
  - 1kHz to 200MHz
- Programmable output enable or power-down mode
- Available in 5 × 5 mm 40-VFQFPN package
- -40° to +85°C industrial temperature operation

## Block Diagram

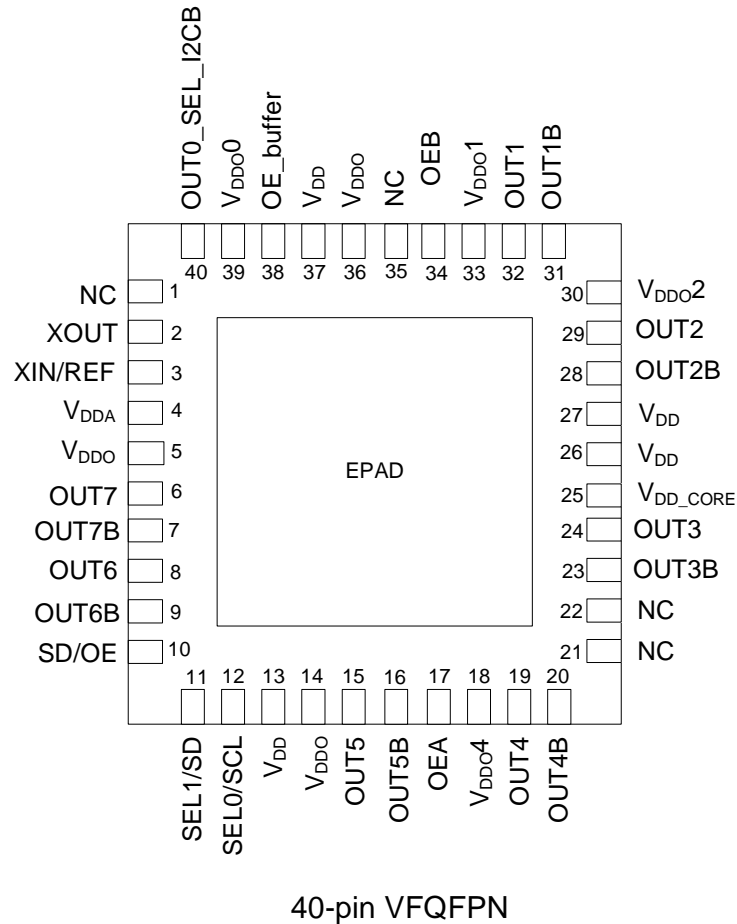


## Contents

1.	Pin Assignments.....	3
2.	Pin Descriptions.....	3
3.	Absolute Maximum Ratings.....	6
4.	Thermal Characteristics.....	6
5.	Recommended Operating Conditions .....	6
6.	Electrical Characteristics .....	7
7.	Test Loads.....	14
8.	Jitter Performance Characteristics .....	15
9.	PCI Express Jitter Performance and Specification.....	16
10.	Features and Functional Blocks .....	17
10.1	Device Startup and Power-on-Reset.....	17
10.2	Internal Crystal Oscillator (XIN/REF) .....	18
10.2.1	Choosing Crystals.....	18
10.2.2	Tuning the Crystal Load Capacitor.....	18
10.3	Programmable Loop Filter.....	20
10.4	Fractional Output Dividers (FOD).....	20
10.4.1	Individual Spread Spectrum Modulation .....	20
10.4.2	Bypass Mode .....	20
10.4.3	Cascaded Mode.....	20
10.4.4	Dividers Alignment .....	20
10.4.5	Programmable Skew.....	21
10.5	Output Drivers.....	21
10.6	SD/OE Pin Function.....	21
10.7	I <sup>2</sup> C Operation .....	22
11.	Typical Application Circuit .....	23
11.1	Input – Driving the XIN/REF .....	24
11.1.1	Driving XIN/REF with a CMOS Driver .....	24
11.1.2	Driving XIN with a LVPECL Driver .....	25
11.2	Output – Single-ended or Differential Clock Terminations.....	26
11.2.1	LVDS Termination.....	26
11.2.2	LVPECL Termination .....	27
11.2.3	HCSL Termination.....	28
11.2.4	LVC MOS Termination.....	28
12.	Package Outline Drawings .....	29
13.	Marking Diagram.....	29
14.	Ordering Information .....	29
15.	Revision History .....	30

## 1. Pin Assignments

Figure 1. Pin Assignments for 5 × 5 mm 40-VFQFPN Package – Top View



## 2. Pin Descriptions

Table 1. Pin Descriptions

Number	Name	Type	Description
1	NC	Input	Do not connect
2	XOUT	Input	Crystal Oscillator interface output.
3	XIN/REF	Input	Crystal Oscillator interface input, or single-ended LVCMOS clock input. Ensure that the input voltage is 1.2V maximum.
4	VDDA	Power	Analog functions power supply pin. Connect to 1.8V.
5	VDDO	Power	Connect to 1.8V. Power pin for outputs 3, 5–7.
6	OUT7	Output	Output clock 7. Low-Power HCSL (LP-HCSL) output.
7	OUT7B	Output	Complementary output clock 7. Low-power HCSL (LP-HCSL) output.
8	OUT6	Output	Output clock 6. Low-power HCSL (LP-HCSL) output.

Number	Name		Type	Description
9	OUT6B	Output		Complementary output clock 6. Low-power HCSL (LP-HCSL) output.
10	SD/OE	Input	Internal Pull-down	Enables/disables the outputs (OE) or powers down the chip (SD). The SH bit controls the configuration of the SD/OE pin. The SH bit needs to be high for SD/OE pin to be configured as SD. The SP bit (0x02) controls the polarity of the signal to be either active HIGH or LOW only when pin is configured as OE (Default is active LOW.) Weak internal pull down resistor. When configured as SD, the device is shut down, differential outputs are driven high/low, and the single-ended LVCMOS outputs are driven low. When configured as OE, and outputs are disabled, the outputs can be selected to be tri-stated or driven high/low.
11	SEL1/SDA	Input	Internal Pull-down	Configuration select pin, or I <sup>2</sup> C SDA input as selected by OUT0_SEL_I2CB.
12	SEL0/SCL	Input	Internal Pull-down	Configuration select pin, or I <sup>2</sup> C SCL input as selected by OUT0_SEL_I2CB.
13	VDD	Power		Connect to 1.8V.
14	VDDO	Power		Connect to 1.8V. Power pin for outputs 3, 5–7.
15	OUT5	Output		Output clock 5. Low-power HCSL (LP-HCSL) output.
16	OUT5B	Output		Complementary output clock 5. Low-power HCSL (LP-HCSL) output.
17	OEA	Input	Internal Pull-down	Active-low Output Enable pin for outputs 3 and 5. 0 = Enable outputs; 1 = Disable outputs. This pin has internal pull-down.
18	VDDO4	Power		Connect to 1.8V to 3.3V. VDD supply for OUT4.
19	OUT4	Output		Output clock 4. For more information, see Output Drivers.
20	OUT4B	Output		Complementary Output Clock 4. For more information, see Output Drivers.
21	NC	—		Do not connect.
22	NC	—		Do not connect.
23	OUT3B	Output		Complementary Output Clock 3. Low-Power HCSL (LP-HCSL) output.
24	OUT3	Output		Output Clock 3. HCSL Low-Power HCSL (LP-HCSL) output.
25	VDD_Core	Power		Connect to 1.8V
26	VDD	Power		Connect to 1.8V
27	VDD	Power		Connect to 1.8V
28	OUT2B	Output		Complementary Output Clock 2. For more information, see Output Drivers.
29	OUT2	Output		Output Clock 2. For more information, see Output Drivers.
30	VDDO2	Power		Connect to 1.8V to 3.3V. VDD supply for OUT2.
31	OUT1B	Output		Complementary Output Clock 1. For more information, see Output Drivers.
32	OUT1	Output		Output Clock 1. For more information, see Output Drivers.
33	VDDO1	Power		Connect to 1.8V to 3.3V. VDD supply for OUT1.

Number	Name		Type	Description
34	OEB	Input	Internal Pull-down	Active-low Output Enable pin for outputs 6 and 7. 0 = Enable outputs; 1 = Disable outputs. This pin has internal pull-down.
35	NC	—		Do not connect.
36	VDDO	Power		Connect to 1.8V. Power pin for outputs 3, 5–7.
37	VDD	Power		Connect to 1.8V.
38	OE_buffer		Internal Pull-up	Active High Output enable for outputs 3, 5–7. 0 = Disable outputs; 1 = Enable outputs. This pin has internal pull-up.
39	VDDO0	Power		Power supply pin for OUT0_SEL_I2CB. Connect to 1.8 to 3.3V. Sets the output voltage levels for OUT0.
40	OUT0_SEL_I2CB	Output	Internal Pull-down	Latched input/LVCMOS output. At power up, the voltage at the pin OUT0_SEL_I2CB is latched by the device and used to select the state of pins 11 and 12. If a weak pull-up (10Kohms) is placed on OUT0_SEL_I2CB, pins 11 and 12 will be configured as hardware select pins, SEL1 and SEL0. If a weak pull-down (10Kohms) is placed on OUT0_SEL_I2CB or it is left floating, pins 11 and 12 will act as the SDA and SCL pins of an I <sup>2</sup> C interface. After power up, the pin acts as a LVCMOS reference output.
ePAD	GND	GND		Connect to ground pad.

### 3. Absolute Maximum Ratings

The absolute maximum ratings are stress ratings only. Stresses greater than those listed below can cause permanent damage to the device. Functional operation of the device at absolute maximum ratings is not implied. Exposure to absolute maximum rating conditions may affect device reliability.

Table 2. Absolute Maximum Ratings

Item	Rating
Supply Voltage, $V_{DDA}$ , $V_{DDD}$ , $V_{DDO}$	3.6V
XIN/REF Input	1.2V
I <sup>2</sup> C Loading Current (SDA)	10mA
Storage Temperature, TSTG	-65°C to 150°C
ESD Human Body Model	2000V

### 4. Thermal Characteristics

Table 3. Thermal Characteristics

Symbol	Parameter	Value	Units
$\theta_{JA}$	Theta JA. Junction to air thermal impedance (0mps)	41.08	°C/W
$\theta_{JB}$	Theta JB. Junction to board thermal impedance (0mps)	13.76	°C/W
$\theta_{JC}$	Theta JC. Junction to case thermal impedance (0mps)	28.45	°C/W

### 5. Recommended Operating Conditions

Table 4. Recommended Operating Conditions

Symbol	Parameter	Minimum	Typical	Maximum	Units
$V_{DDOX}$	Power supply voltage for supporting 1.8V outputs.	1.71	1.8	1.89	V
	Power supply voltage for supporting 2.5V outputs.	2.375	2.5	2.625	V
	Power supply voltage for supporting 3.3V outputs.	3.135	3.3	3.465	V
$V_{DDD}$	Power supply voltage for core logic functions.	1.71		3.465	V
$V_{DDA}$	Analog power supply voltage. Use filtered analog power supply.	1.71		3.465	V
$T_A$	Operating temperature, ambient.	-40		85	°C
$C_L$	Maximum load capacitance (3.3V LVCMOS only).			15	pF

## 6. Electrical Characteristics

Table 5. Current Consumption Characteristics

 $V_{DDA}, V_{DDD}, V_{DDO0} = 3.3V \pm 5\%, 2.5V \pm 5\%, 1.8V \pm 5\%$ ,  $T_A = -40^\circ C$  to  $+85^\circ C$ .

Symbol	Parameter	Conditions	Minimum	Typical	Maximum	Units
$I_{DDCORE}$ <sup>[a]</sup>	Core Supply Current	100MHz on all outputs, 25MHz REFCLK.		33	42	mA
$I_{DDOX}$	Output Buffer Supply Current	LVPECL, 350MHz, 3.3V $V_{DDOX}$ <sup>[b]</sup>		45	58	mA
		LVPECL, 350MHz, 2.5V $V_{DDOX}$ <sup>[b]</sup>		36	47	mA
		LVDS, 350MHz, 3.3V $V_{DDOX}$ <sup>[b]</sup>		26	32	mA
		LVDS, 350MHz, 2.5V $V_{DDOX}$ <sup>[b]</sup>		25	30	mA
		LVDS, 350MHz, 1.8V $V_{DDOX}$ <sup>[b]</sup>		22	27	mA
		HCSL, 250MHz, 3.3V $V_{DDOX}$ <sup>[b]</sup>		39	48	mA
		HCSL, 250MHz, 2.5V $V_{DDOX}$ <sup>[b]</sup>		37	46	mA
		LVC MOS, 50MHz, 3.3V, $V_{DDOX}$ <sup>[b],[c]</sup>		22	27	mA
		LVC MOS, 50MHz, 2.5V, $V_{DDOX}$ <sup>[b],[c]</sup>		20	24	mA
		LVC MOS, 50MHz, 1.8V, $V_{DDOX}$ <sup>[b],[c]</sup>		17	21	mA
		LVC MOS, 200MHz, 3.3V $V_{DDOX}$ <sup>[b],[c]</sup>		43	56	mA
		LVC MOS, 200MHz, 2.5V $V_{DDOX}$ <sup>[b],[c]</sup>		33	43	mA
		LVC MOS, 200MHz, 1.8V $V_{DDOX}$ <sup>[b],[c]</sup>		24	31	mA
$I_{DDPD}$	Power Down Current	SD asserted, I <sup>2</sup> C programming.		10	12	mA

[a]  $I_{DDCORE} = I_{DDA} + I_{DDD}$ .

[b] Measured into a 5" 50Ω trace. See Test Loads section for more details.

[c] Single CMOS driver active.

Table 6. AC Timing Characteristics

 $V_{DDA}, V_{DDD}, V_{DDO0} = 3.3V \pm 5\%, 2.5V \pm 5\%, 1.8V \pm 5\%$ ,  $T_A = -40^\circ C$  to  $+85^\circ C$ , unless stated otherwise.

Symbol	Parameter	Conditions	Minimum	Typical	Maximum	Units
$F_{IN}$ [a]	Input Frequency	Input frequency limit (Crystal)	8		40	MHz
		Input frequency limit (Single-ended over XIN)	1		200	
$F_{OUT}$ [b]	Output Frequency	Single-ended clock output limit (LVCMOS), individual FOD mode.	1		200	MHz
		Differential clock output (LVPECL/LVDS/HCSL), individual FOD mode.	1		350	
		Single-ended clock output limit (LVCMOS), cascaded FOD mode, output 2, 4.	0.001		200	
		Differential clock output limit (LVPECL/LVDS/HCSL), cascaded FOD mode, output 2, 4.	0.001		350	
		Differential clock output (LP-HCSL output 3, 5, 6, 7)	0.001		200	
$f_{VCO}$	VCO Operating Frequency Range		2500		2900	MHz
$T_{DC}$ [c]	Output Duty Cycle	Measured at $V_{DD}/2$ , all outputs except reference output, $V_{DDOX} = 2.5V$ or $3.3V$ .	45	50	55	%
		Measured at $V_{DD}/2$ , all outputs except reference output, $V_{DDOX} = 1.8V$	40	50	60	%
		Measured at $V_{DD}/2$ , reference output OUT0 (5MHz–150.1MHz) with 50% duty cycle input.	40	50	60	%
		Measured at $V_{DD}/2$ , reference output OUT0 (150.1MHz–200MHz) with 50% duty cycle input.	30	50	70	%
$T_{SKEW}$	Output Skew	Skew between the same frequencies, with outputs using the same driver format and phase delay set to 0ns.		75		ps
$T_{STARTUP}$ [d] [e]	Startup Time	Measured after all $V_{DD}$ s have raised above 90% of their target value. [f]			30	ms
		PLL lock time from shutdown mode.		3	4	ms

[a] Practical lower frequency is determined by loop filter settings.

[b] A slew rate of 2.75V/ns or greater should be selected for output frequencies of 100MHz or higher.

[c] Duty cycle is only guaranteed at maximum slew rate settings.

[d] Actual PLL lock time depends on the loop configuration.

[e] Includes loading the configuration bits from EPROM to PLL registers. It does not include EPROM programming/write time.

[f] Power-up with temperature calibration enabled, please contact IDT if shorter lock-time is required in system.



Table 7. Input Characteristics

 $V_{DDA}, V_{DDD}, V_{DDO0} = 3.3V \pm 5\%, 2.5V \pm 5\%, 1.8V \pm 5\%$ ,  $T_A = -40^\circ C$  to  $+85^\circ C$ , unless stated otherwise.

Symbol	Parameter	Pins	Minimum	Typical	Maximum	Units
$C_{IN}$	Input Capacitance	SD/OE, SEL1/SDA, SEL0/SCL		3	7	pF
$R_{PD}$	Pull-down Resistor	SD/OE, SEL1/SDA, SEL0/SCL, OUT0_SEL_I2CB	100		300	k $\Omega$
$V_{IH}$	Input High Voltage	SD/OE	$0.7 \times V_{DDD}$		$V_{DDD} + 0.3$	V
$V_{IL}$	Input Low Voltage	SD/OE	GND - 0.3		$0.3 \times V_{DDD}$	V
$V_{IH}$	Input High Voltage	OUT0_SEL_I2CB	$0.65 \times V_{DDO0}$		$V_{DDO0} + 0.3$	V
$V_{IL}$	Input Low Voltage	OUT0_SEL_I2CB	GND - 0.3		0.4	V
$V_{IH}$	Input High Voltage	XIN/REF	0.8		1.2	V
$V_{IL}$	Input Low Voltage	XIN/REF	GND - 0.3		0.4	V
$T_R/T_F$	Input Rise/Fall Time	SD/OE, SEL1/SDA, SEL0/SCL			300	ns

Table 8. Electrical Characteristics – CMOS Outputs

 $V_{DDA}, V_{DDD}, V_{DDO0} = 3.3V \pm 5\%, 2.5V \pm 5\%, 1.8V \pm 5\%$ ,  $T_A = -40^\circ C$  to  $+85^\circ C$ , unless stated otherwise.

Symbol	Parameter	Conditions	Minimum	Typical	Maximum	Units
$V_{OH}$	Output High Voltage	$I_{OH} = -15mA$ (3.3V), $-12mA$ (2.5V), $-8mA$ (1.8V)	$0.7 \times V_{DDO}$		$V_{DDO}$	V
$V_{OL}$	Output Low Voltage	$I_{OH} = 15mA$ (3.3V), $12mA$ (2.5V), $8mA$ (1.8V)			0.4	V
$R_{OUT}$	Output Driver Impedance	CMOS Output Driver		17		$\Omega$
$T_{SR}$	Slew Rate, SLEW[1:0] = 00	Single-ended 3.3V LVCMOS output clock rise and fall time, 20% to 80% of $V_{DDO}$ (output load = 5pF) $V_{DDOX} = 3.3V$	1.0	2.2		V/ns
	Slew Rate, SLEW[1:0] = 01		1.2	2.3		
	Slew Rate, SLEW[1:0] = 10		1.3	2.4		
	Slew Rate, SLEW[1:0] = 11		1.7	2.7		
	Slew Rate, SLEW[1:0] = 00	Single-ended 2.5V LVCMOS output clock rise and fall time, 20% to 80% of $V_{DDO}$ (output load = 5pF) $V_{DDOX} = 2.5V$	0.6	1.3		
	Slew Rate, SLEW[1:0] = 01		0.7	1.4		
	Slew Rate, SLEW[1:0] = 10		0.6	1.4		
	Slew Rate, SLEW[1:0] = 11		1.0	1.7		
	Slew Rate, SLEW[1:0] = 00	Single-ended 1.8V LVCMOS output clock rise and fall time, 20% to 80% of $V_{DDO}$ (output load = 5pF) $V_{DD} = 1.8V$ .	0.3	0.7		
	Slew Rate, SLEW[1:0] = 01		0.4	0.8		
	Slew Rate, SLEW[1:0] = 10		0.4	0.9		
	Slew Rate, SLEW[1:0] = 11		0.7	1.2		
$I_{OZDD}$	Output Leakage Current (OUT1–4)	Tri-state outputs			5	$\mu A$
	Output Leakage Current (OUT0)	Tri-state outputs			30	$\mu A$

Table 9. Electrical Characteristics – LVDS Outputs

 $V_{DDA}, V_{DDD}, V_{DDO0} = 3.3V \pm 5\%, 2.5V \pm 5\%, 1.8V \pm 5\%$ ,  $T_A = -40^\circ C$  to  $+85^\circ C$ , unless stated otherwise.

Symbol	Parameter	Minimum	Typical	Maximum	Units
$V_{OT} (+)$	Differential Output Voltage for the TRUE Binary State	247		454	mV
$V_{OT} (-)$	Differential Output Voltage for the FALSE Binary State	-454		-247	mV
$\Delta V_{OT}$	Change in $V_{OT}$ between Complimentary Output States			50	mV
$V_{OS}$	Output Common Mode Voltage (Offset Voltage) at $3.3V \pm 5\%, 2.5V \pm 5\%$	1.125	1.25	1.375	V
	Output Common Mode Voltage (Offset Voltage) at $1.8V \pm 5\%$	0.8	0.875	0.96	V
$\Delta V_{OS}$	Change in $V_{OS}$ between Complimentary Output States			50	mV
$I_{OS}$	Outputs Short Circuit Current, $V_{OUT+}$ or $V_{OUT-} = 0V$ or $V_{DDO}$		9	24	mA
$I_{OSD}$	Differential Outputs Short Circuit Current, $V_{OUT+} = V_{OUT-}$		6	12	mA
$T_R$	LVDS rise time 20–80%		300		ps
$T_F$	LVDS fall time 80–20%		300		ps

Table 10. Electrical Characteristics – LVPECL Outputs

 $V_{DDA}, V_{DDD}, V_{DDO0} = 3.3V \pm 5\%, 2.5V \pm 5\%$ ,  $T_A = -40^\circ C$  to  $+85^\circ C$ , unless stated otherwise.

Symbol	Parameter	Minimum	Typical	Maximum	Units
$V_{OH}$	Output Voltage High, terminated through $50\Omega$ tied to $V_{DD} - 2V$	$V_{DDO} - 1.19$		$V_{DDO} - 0.69$	V
$V_{OL}$	Output Voltage Low, terminated through $50\Omega$ tied to $V_{DD} - 2V$	$V_{DDO} - 1.94$		$V_{DDO} - 1.4$	V
$V_{SWING}$	Peak-to-Peak Output Voltage Swing	0.55		0.993	V
$T_R$	LVPECL rise time 20–80%		400		ns
$T_F$	LVPECL fall time 80–20%		400		ns

Table 11. Electrical Characteristics – HCSL Outputs<sup>[a]</sup>
 $V_{DDA}, V_{DDD}, V_{DDO0} = 3.3V \pm 5\%, 2.5V \pm 5\%, T_A = -40^\circ C \text{ to } +85^\circ C$ , unless stated otherwise.

Symbol	Parameter	Conditions	Minimum	Typical	Maximum	Units
dV/dt	Slew Rate	Scope averaging on <sup>[b]</sup> <sup>[c]</sup>	1		4	V/ns
$\Delta V/dt$	Slew Rate Matching	Scope averaging on <sup>[b]</sup> <sup>[c]</sup>			20	%
$V_{MAX}$	Maximum Voltage	Measurement on single-ended signal using absolute value (scope averaging off)			1150	mV
$V_{MIN}$	Minimum Voltage		-300			mV
$V_{SWING}$	Voltage Swing	Scope averaging off <sup>[b]</sup> <sup>[f]</sup>	300			mV
$V_{CROSS}$	Crossing Voltage Value	Scope averaging off <sup>[d]</sup> <sup>[f]</sup>	250		550	mV
$\Delta V_{CROSS}$	Crossing Voltage Variation	Scope averaging off <sup>[e]</sup>			140	mV

[a] Guaranteed by design and characterization. Not 100% tested in production.

[b] Measured from differential waveform.

[c] Slew rate is measured through the  $V_{SWING}$  voltage range centered on differential 0V. This results in a  $\pm 150mV$  window around differential 0V.

[d]  $V_{CROSS}$  is defined as voltage where Clock = Clock# measured on a component test board and only applies to the differential rising edge (i.e., Clock rising and Clock# falling).

[e] The total variation of all  $V_{CROSS}$  measurements in any particular system. Note that this is a subset of  $V_{CROSS}$  min/max ( $V_{CROSS}$  absolute) allowed. The intent is to limit  $V_{CROSS}$  induced modulation by setting  $\Delta V_{CROSS}$  to be smaller than  $V_{CROSS}$  absolute.

[f] Measured from single-ended waveform.

Table 12. Spread-Spectrum Generation Specifications

Symbol	Parameter	Conditions	Minimum	Typical	Maximum	Units
$f_{SSOUT}$	Spread Frequency	Output frequency range for spread spectrum	5		300	MHz
$f_{MOD}$	Mod Frequency	Modulation frequency.	30 to 63			kHz
$f_{SPREAD}$	Spread Value	Amount of spread value (programmable)–center spread.	$\pm 0.25\%$ to $\pm 2.5\%$			% $f_{OUT}$
		Amount of spread value (programmable)–down spread.	-0.5% to -5%			

Table 13. I<sup>2</sup>C Bus (SCL/SDA) DC Characteristics

Symbol	Parameter	Conditions	Minimum	Typical	Maximum	Units
V <sub>IH</sub>	Input High Level	For SEL1/SDA pin and SEL0/SCL pin.	0.7 x V <sub>DDD</sub>			V
V <sub>IL</sub>	Input Low Level	For SEL1/SDA pin and SEL0/SCL pin.			0.3 x V <sub>DDD</sub>	V
V <sub>HYS</sub>	Hysteresis of Inputs		0.05 x V <sub>DDD</sub>			V
I <sub>IN</sub>	Input Leakage Current		-1		30	μA
V <sub>OL</sub>	Output Low Voltage	I <sub>OL</sub> = 3mA.			0.4	V

 Table 14. I<sup>2</sup>C Bus (SCL/SDA) AC Characteristics

Symbol	Parameter	Minimum	Typical	Maximum	Units
F <sub>SCLK</sub>	Serial Clock Frequency (SCL)	10		400	kHz
t <sub>BUF</sub>	Bus Free Time between Stop and Start	1.3			μs
t <sub>SU:STA</sub>	Setup Time, Start	0.6			μs
t <sub>HD:STA</sub>	Hold Time, Start	0.6			μs
t <sub>SU:DAT</sub>	Setup Time, Data Input (SDA)	0.1			μs
t <sub>HD:DAT</sub>	Hold Time, Data Input (SDA) <sup>1</sup>	0			μs
t <sub>OVD</sub>	Output Data Valid from Clock			0.9	μs
C <sub>B</sub>	Capacitive Load for Each Bus Line			400	pF
t <sub>R</sub>	Rise Time, Data and Clock (SDA, SCL)	20 + 0.1 x C <sub>B</sub>		300	ns
t <sub>F</sub>	Fall Time, Data and Clock (SDA, SCL)	20 + 0.1 x C <sub>B</sub>		300	ns
t <sub>HIGH</sub>	High Time, Clock (SCL)	0.6			μs
t <sub>LOW</sub>	Low Time, Clock (SCL)	1.3			μs
t <sub>SU:STO</sub>	Setup Time, Stop	0.6			μs

[a] A device must internally provide a hold time of at least 300ns for the SDA signal (referred to the V<sub>IH(MIN)</sub> of the SCL signal) to bridge the undefined region of the falling edge of SCL.

[b] I<sup>2</sup>C inputs are 5V tolerant.

## 7. Test Loads

Figure 2. LVCMOS Test Load

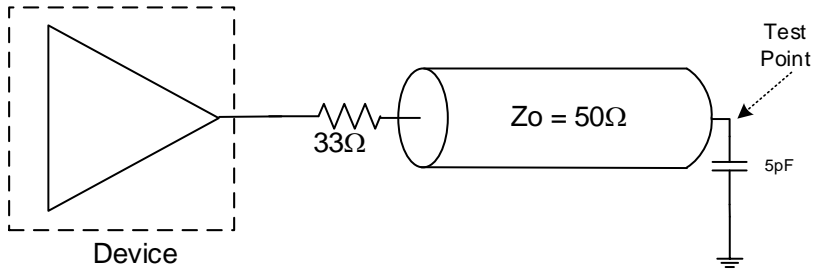


Figure 3. HCSL/LPHCSL Test Load

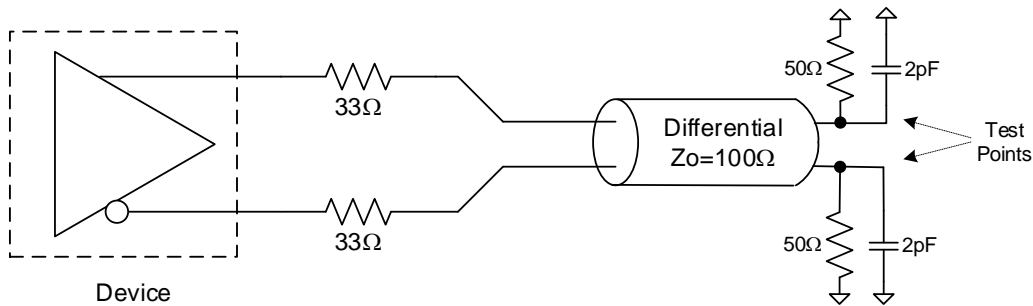


Figure 4. LVDS Test Load

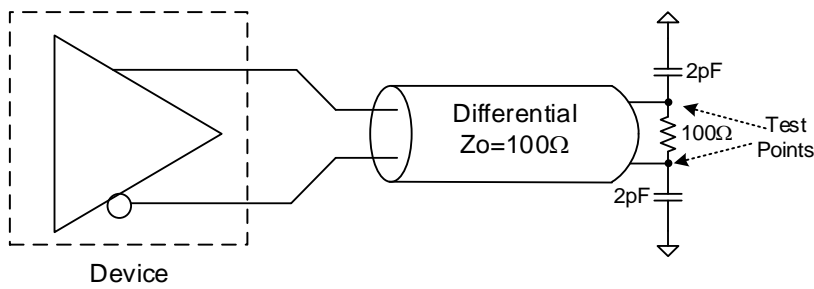
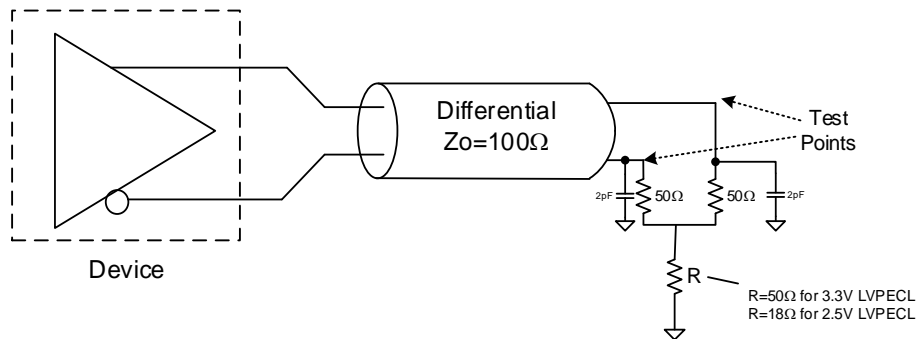
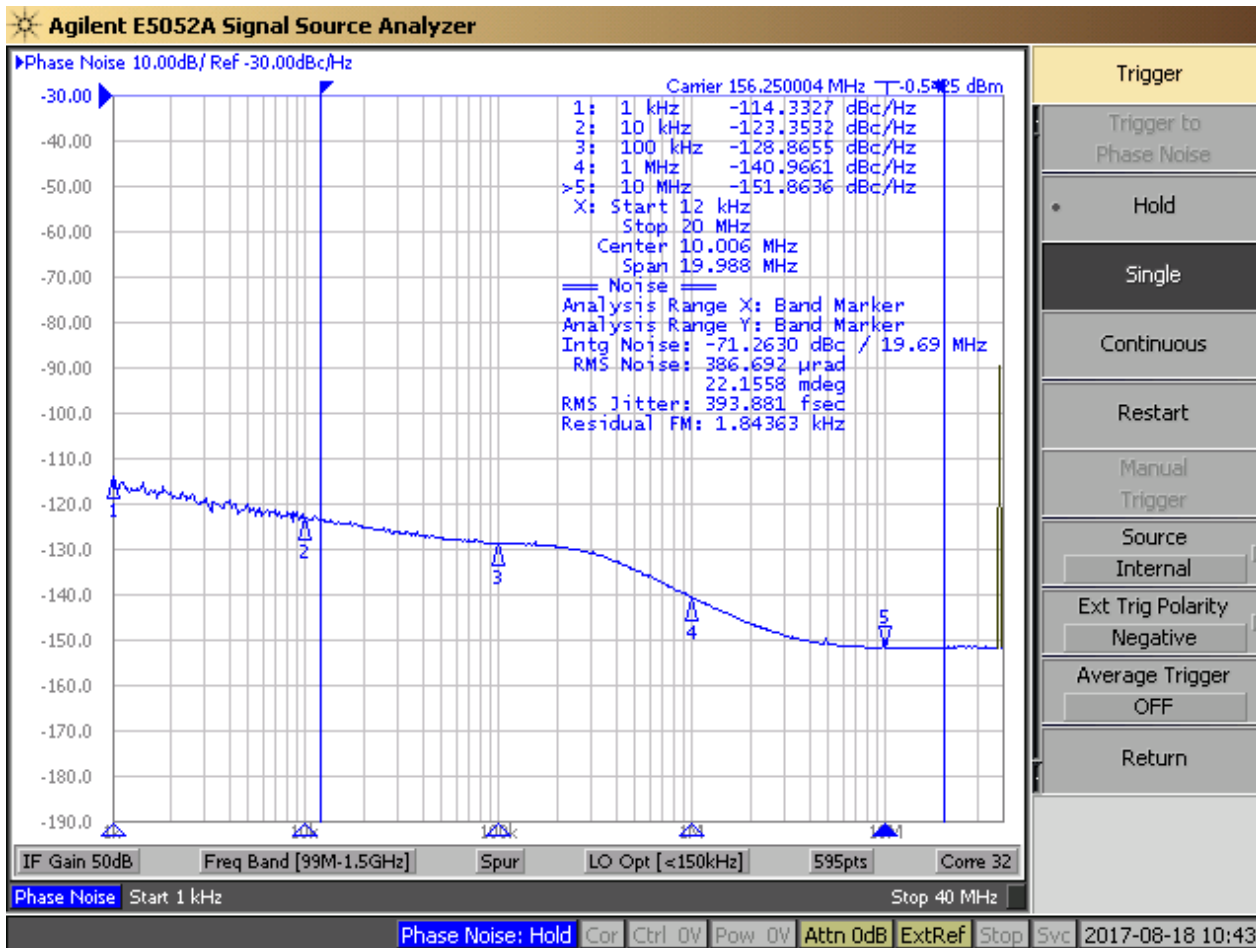


Figure 5. LVPECL Test Load



## 8. Jitter Performance Characteristics

Figure 6. Typical Phase Jitter Plot at 156.25MHz



Note: Measured with OUT2=156.25MHz on, 39.625MHz input.

Table 15. Jitter Performance<sup>[a] [b]</sup>

Symbol	Parameter	Conditions	Minimum	Typical	Maximum	Units
$J_{CY-CY}$	Cycle to Cycle Jitter	LVC MOS 3.3V $\pm 5\%$ , -40°C to 90°C		12	30	ps
		All differential outputs 3.3V $\pm 5\%$ , -40°C to 90°C		25	35	ps
$J_{pk-pk}$	Period Jitter	LVC MOS 3.3V $\pm 5\%$ , -40°C to 90°C		15	40	ps
		All differential outputs 3.3V $\pm 5\%$ , -40°C to 90°C		24	35	ps
$J_{RMS}$	RMS Phase Jitter (12kHz-20MHz)	LVC MOS 3.3V $\pm 5\%$ , -40°C to 90°C		0.3		ps
		All differential outputs 3.3V $\pm 5\%$ , -40°C to 90°C		0.6		ps

[a] Measured with 25MHz crystal input

[b] Configured with OUT0 = 25MHz-LVC MOS OUT1 = 100MHz HCSL OUT2 = 125MHz LVDS OUT3 = 156.25MHz-LVPECL

## 9. PCI Express Jitter Performance and Specification

 Table 16. PCI Express Jitter Performance <sup>[a] [b]</sup>

Parameter	Symbol	Conditions	Minimum	Typical	Maximum	Industry Limit	Units
PCIe Jitter (Common Clock-CC)	$t_{jphPCIeG1-CC}$	PCIe Gen 1 <sup>[c]</sup>		28.7		86	ps (p-p)
	$t_{jphPCIeG2-CC}$	PCIe Gen 2 Low Band 10kHz < f < 1.5MHz (PLL BW of 5-16MHz, 8-16MHz, CDR = 5MHz)		0.27		3	ps (rms)
		PCIe Gen 2 High Band 1.5MHz < f < Nyquist (50MHz) (PLL BW of 5-16MHz, 8-16MHz, CDR = 5MHz)		2.56		3.1	ps (rms)
	$t_{jphPCIeG3-CC}$	PCIe Gen 3 (PLL BW of 2-4MHz, 2-5MHz, CDR = 10MHz)		0.8		1	ps (rms)
	$t_{jphPCIeG4-CC}$	PCIe Gen 4 (SSC OFF) (PLL BW of 2-4MHz, 2-5MHz, CDR = 10MHz)		0.3		0.5	ps (rms)
PCIe Jitter (IR) <sup>[d] [e]</sup>	$t_{jphPCIeG2-SRNS}$	PCIe Gen 2 (SSC OFF) (PLL BW of 16MHz, CDR = 5MHz)		1.2		2	ps (rms)
	$t_{jphPCIeG3-SRNS}$	PCIe Gen 3(SSC OFF) (PLL BW of 2-4MHz or 2-5MHz, CDR = 10MHz)		0.32		0.7	ps (rms)

[a] Guaranteed by design and characterization, not 100% tested in production.

[b] Based on PCIe Base Specification Rev4.0 version 1.0. For the latest specifications, see [www.pcisig.com](http://www.pcisig.com).

[c] Sample size of at least 100K cycles. This figure extrapolates to 108ps pk-pk at 1M cycles for a BER of 1<sup>-12</sup>.

[d] According to the PCIe Base Specification Rev4.0 version 1.0, the jitter transfer functions and corresponding jitter limits are not defined for the IR clock architecture. Widely accepted industry limits using widely accepted industry filters are used to populate this table. There are no accepted filters or limits for IR clock architectures at PCIe Gen1 or Gen4 data rates.

[e] IR(Independent Reference) is the new name for Separate Reference Independent Spread (SRIS) and Separate Reference no Spread (SRNS) PCIe clock architectures.



## 10. Features and Functional Blocks

### 10.1 Device Startup and Power-on-Reset

The 5P49V6975A has an internal power-up reset (POR) circuit. All VDDs must be connected to the desired supply voltage to trigger a POR.

The user can define specific default configurations through internal One-Time-Programmable (OTP) memory -- either the user or factory can program the default configuration. Contact IDT if a specific factory-programmed default configuration is required, or refer to the *VersaClock 6E Programming Guide*.

The device will identify which of the two modes to operate in by the state of the OUT0\_SEL\_I2CB pin at POR. Both modes' default configurations can be programmed as follows:

1. **Software Mode (I<sup>2</sup>C):** OUT0\_SEL\_I2CB is low at POR.

The I<sup>2</sup>C interface will be open to users for in-system programming, overriding device default configurations at any time.

2. **Hardware Select Mode:** OUT0\_SEL\_I2CB is high at POR.

The device has been programmed to load OTP at power-up (REG0[7] = 1). The device will load internal registers according to Table 17. Internal OTP memory can support up to four configurations, which selectable by the SEL0/SEL1 pins.

At POR, logic levels at SEL0 and SEL1 pins must be settled, which results in the selected configuration to be loaded at power up.

After the first 10ms of operation, the levels of the SELx pins can be changed, either to low or to the same level as VDDD/VDDA. The SELx pins must be driven with a digital signal of < 300ns rise/fall time and only a single pin can be changed at a time. After a pin level change, the device must not be interrupted for at least 1ms so that the new values have time to load and take effect.

Table 17. Power-Up Behavior

OUT0_SEL_I2CB at POR	SEL1	SEL0	I <sup>2</sup> C Access	REG0:7	Config
1	0	0	No	0	0
1	0	1	No	0	1
1	1	0	No	0	2
1	1	1	No	0	3
0	X	X	Yes	1	I <sup>2</sup> C defaults
0	X	X	Yes	0	0

## 10.2 Internal Crystal Oscillator (XIN/REF)

### 10.2.1 Choosing Crystals

A crystal manufacturer will calibrate its crystals to the nominal frequency with a certain load capacitance value. When the oscillator load capacitance matches the crystal load capacitance, the oscillation frequency will be accurate. When the oscillator load capacitance is lower than the crystal load capacitance, the oscillation frequency will be higher than nominal and vice versa. Therefore, for an accurate oscillation frequency you must match the oscillator load capacitance with the crystal load capacitance.

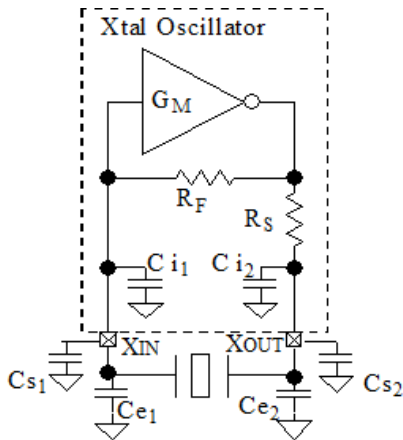
### 10.2.2 Tuning the Crystal Load Capacitor

Cs1 and Cs2 are stray capacitances at each crystal pin and typical values are between 1pF and 3pF (see Figure 7).

Ce1 and Ce2 are additional external capacitors. Increasing the load capacitance reduces the oscillator gain, so it is recommended to consult the manufacturer when adding Ce1 and/or Ce2 to avoid crystal startup issues.

Ci1 and Ci2 are integrated programmable load capacitors, one at XIN and one at XOUT.

Figure 7. Tuning the Crystal Load Capacitor



The value of each capacitor is composed of a fixed capacitance amount plus a variable capacitance amount set with the XTAL[5:0] register. Ci1 and Ci2 are commonly programmed to be the same value. Adjustment of the crystal tuning capacitors allows maximum flexibility to accommodate crystals from various manufacturers. The range of tuning capacitor values available are in accordance with the following table. Ci1/Ci2 starts at 9pF with the setting 000000b, and can be increased up to 25pF with the setting 111111b. The step per bit is 0.5pF.

Table 18. XTAL[5:0] Tuning Capacitor

Parameter	Bits	Step (pF)	Min (pF)	Max (pF)
XTAL	6	0.5	9	25

You can write the following equation for this capacitance:

$$C_i = 9\text{pF} + 0.5\text{pF} \times \text{XTAL}[5:0]$$

$$C_{XIN} = C_{i1} + C_{s1} + C_{e1}$$

$$C_{XOUT} = C_{i2} + C_{s2} + C_{e2}$$

The final load capacitance of the crystal:

$$C_L = C_{XIN} \times C_{XOUT} / (C_{XIN} + C_{XOUT})$$

It is recommended to set the same value at each crystal pin meaning:

$$C_{XIN} = C_{XOUT}$$

**Example 1:** The crystal load capacitance is specified as 8pF and the stray capacitance at each crystal pin is  $C_s = 1.5\text{pF}$ . Assuming an equal capacitance value at XIN and XOUT, the equation is as follows:

$$8\text{pF} = (9\text{pF} + 0.5\text{pF} \times \text{XTAL}[5:0] + 1.5\text{pF}) / 2$$

So, XTAL[5:0] = 11 (decimal)

**Example 2:** The crystal load capacitance is specified as 12pF and the stray capacitance  $C_s$  is unknown. Footprints for external capacitors  $C_e$  are added and a worst case  $C_s$  of 5pF is used. This example uses  $C_s + C_e = 5\text{pF}$ ; the correct value for  $C_e$  can be determined later to make 5pF together with  $C_s$ .

$$12\text{pF} = (9\text{pF} + 0.5\text{pF} \times \text{XTAL}[5:0] + 5\text{pF}) / 2$$

So, XTAL[5:0] = 20 (decimal)

Table 19. Recommended Crystal Characteristics

Parameter	Minimum	Typical	Maximum	Units
Mode of Oscillation	Fundamental			
Frequency	8	25	40	MHz
Equivalent Series Resistance (ESR)		10	100	$\Omega$
Shunt Capacitance			7	pF
Load Capacitance ( $C_L$ ) at $\leq 25\text{MHz}$	6	8	12	pF
Load Capacitance ( $C_L$ ) $> 25\text{MHz}$ to 40MHz	6		8	pF
Maximum Crystal Drive Level			100	$\mu\text{W}$

### 10.3 Programmable Loop Filter

The device PLL loop bandwidth operating range depends on the input reference frequency (Fref).

Table 20. Loop Filter Settings

Input Reference Frequency (MHz)	Loop Bandwidth Minimum (kHz)	Loop Bandwidth Maximum (kHz)
1	40	126
350	300	1000

### 10.4 Fractional Output Dividers (FOD)

The 5P49V6975A has four fractional output dividers (FOD). Each FOD is comprised of a 12-bit integer counter and a 24-bit fractional counter. The output divider can operate in integer divide only mode for improved performance, or use the fractional counters to generate a clock frequency accurate to 50ppb.

FODs support the following features.

#### 10.4.1 Individual Spread Spectrum Modulation

The output clock frequencies can be modulated to spread energy across a broader range of frequencies, thereby lowering system EMI. Each divider has individual spread ability. Spread modulation independent of output frequency, a triangle wave modulation between 30 and 63kHz.

Spread spectrum can be applied to any output clock, clock frequency, or spread amount from  $\pm 0.25\%$  to  $\pm 2.5\%$  center-spread and  $-0.5\%$  to  $-5\%$  down-spread.

#### 10.4.2 Bypass Mode

Bypass mode (divide by 1) allows the output to behave as a buffered copy from the input or another FOD.

#### 10.4.3 Cascaded Mode

As shown in the block diagram on page 1, FODs can be cascaded for lower output frequency.

For example, if OUT1 is configured to run at 12.288MHz and needs another 48kHz output, the user can cascade FOD2 by taking input from OUT1, with a divide ratio of 256. As a result, OUT 2 runs at 48kHz while in alignment with 12.288MHz on OUT1.

#### 10.4.4 Dividers Alignment

Each output divider block has a synchronizing pulse to provide startup alignment between outputs dividers. This allows alignment of outputs for low skew performance.

When the 5P49V6975A is in hardware select mode, outputs are automatically aligned at POR. The same synchronization reset is also triggered when switching between configurations with the SEL0/1 pins. This ensures that the outputs remain aligned in every configuration.

When the 5P49V6975A is using software mode, I<sup>2</sup>C is used to reprogram an output divider during operation, and therefore, alignment can be lost. Alignment can be restored by manually triggering a reset through I<sup>2</sup>C.

The outputs are aligned on the falling edges of each output by default. Rising edge alignment can also be achieved by using the programmable skew feature to delay the faster clock by 180 degrees. The programmable skew feature also allows for fine tuning of the alignment.

### 10.4.5 Programmable Skew

The 5P49V6975A can skew outputs by quadrature values. The skew on each output can be adjusted from 0 to 360 degrees. Skew is adjusted in units equal to 1/32 of the VCO period. As a result, for 100MHz output and a 2800MHz VCO, the user can select how many 11.161ps units to be added to the skew (resulting in units of 0.402 degrees). For example, 0, 0.402, 0.804, 1.206, 1.408, and so on. The granularity of the skew adjustment is always dependent on the VCO period and the output period.

## 10.5 Output Drivers

Device output drivers can individually support the following features:

- 2.5V or 3.3V voltage level for HCSL/LVPECL operation
- 1.8V, 2.5V, or 3.3V voltage levels for CMOS/LVDS operation
- CMOS supports four operating modes:
  - CMOSD: OUTx and OUTxB 180 degrees out of phase
  - CMOSX2: OUTx and OUTxB phase-aligned
  - CMOS1: only OUTx pin is on
  - CMOS2: only OUTxB pin is on

When a given output is configured to CMOSD or CMOSX2, then all previously described configuration and control apply equally to both pins.

- Independent output enable/disabled by register bits. When disabled, an output can be either in a logic 1 state or Hi-Z.

The following options are used to disable outputs:

- Output turned off by I<sup>2</sup>C
- Output turned off by SD/OE pin
- Output unused, which means it is turned off regardless of OE pin status

## 10.6 SD/OE Pin Function

The SD/OE pin can be programmed as follows:

- OE output enable (low active)
- OE output enable (high active)
- Global shutdown (low active)
- Global shutdown (high active)

Output behavior when disabled is also programmable. The user can select the output driver behavior when it is off as follows:

- OUTx pin high, OUTxB pin low (controlled by SD/OE pin)
- OUTx/OUTxB Hi-Z (controlled by SD/OE pin)
- OUTx pin high, OUTxB pin low (configured through I<sup>2</sup>C)
- OUTx/OUTxB Hi-Z (configured by I<sup>2</sup>C)

The user can disable the output with either I<sup>2</sup>C or SD/OE pin. For more information, see the *VersaClock 6E Programming Guide*.

## 10.7 I<sup>2</sup>C Operation

The 5P49V6975A acts as a slave device on the I<sup>2</sup>C bus using one of the two I<sup>2</sup>C addresses (0xD0 or 0xD4) to allow multiple devices to be used in the system. The interface accepts byte-oriented block write and block read operations.

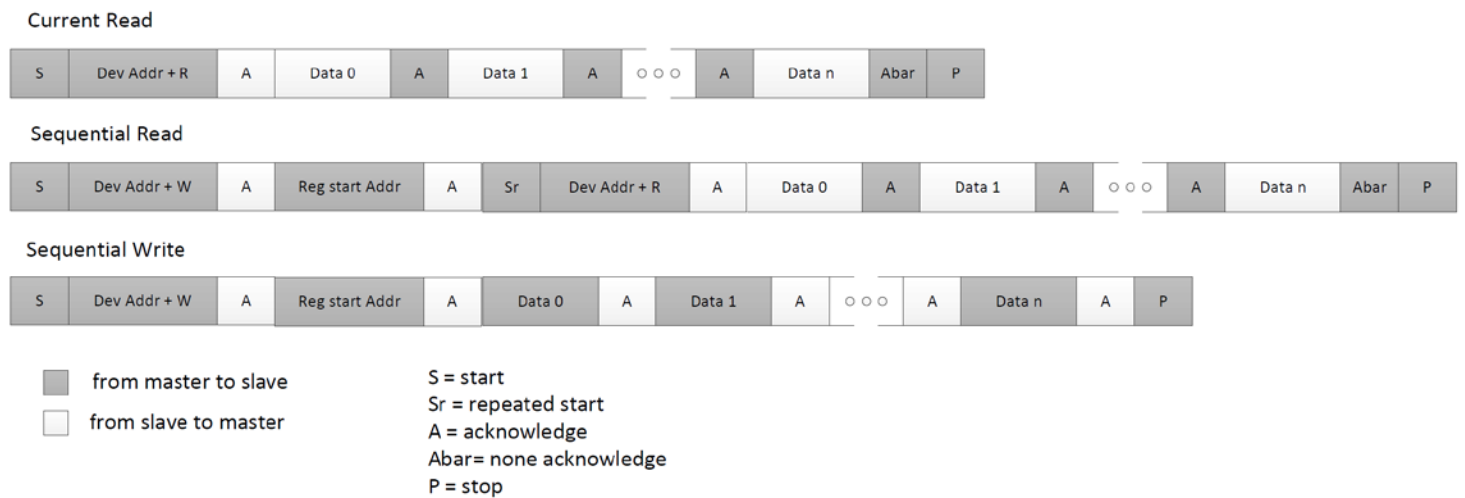
Address bytes (2 bytes) specify the register address of the byte position of the first register to write or read.

Data bytes (registers) are accessed in sequential order from the lowest to the highest byte (most significant bit first).

Read and write block transfers can be stopped after any complete byte transfer. During a write operation, data will not be moved into the registers until the STOP bit is received, at which point, all data received in the block write will be written simultaneously.

For full electrical I<sup>2</sup>C compliance, use external pull-up resistors for SDATA and SCLK.

Figure 8. I<sup>2</sup>C R/W Sequence





## 11.1 Input – Driving the XIN/REF

### 11.1.1 Driving XIN/REF with a CMOS Driver

In some instances, it is preferable to have XIN/REF driven by a clock input -- for reasons such as better SNR, multiple input select with device CLKIN, etc. The XIN/REF pin can take an input when its amplitude is between 500mV and 1.2V, and the slew rate less than 0.2V/ns.

The XIN/REF input can be overdriven by an LVCMOS driver or by one side of a differential driver through an AC coupling capacitor. The XOUT pin can be left floating.

Figure 10. Overdriving XIN with a CMOS Driver

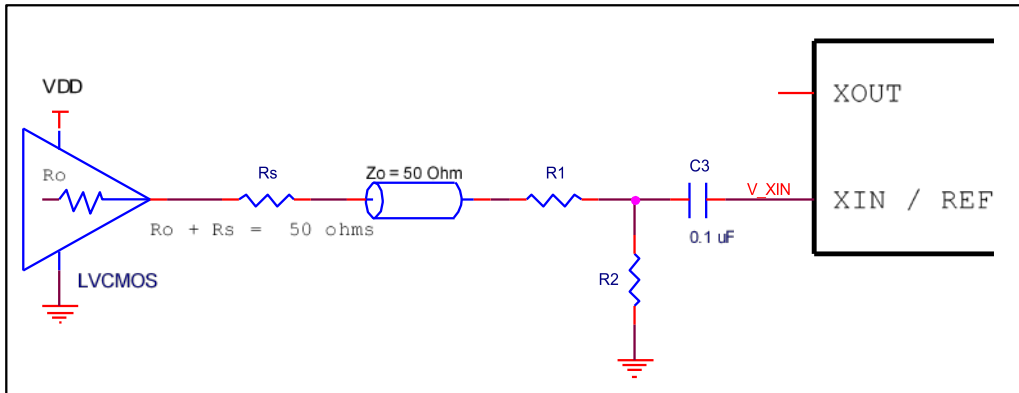


Table 21. Nominal Voltage Divider Values for Overdriving XIN with Single-ended Driver

LVCMOS Diver $V_{DD}$	$R_o + R_s$	$R_1$	$R_2$	$V_{XIN}$ (peak)	$R_o + R_s + R_1 + R_2$
3.3	50.0	130	75	0.97	255
2.5	50.0	100	100	1.00	250
1.8	50.0	62	130	0.97	242



### 11.1.2 Driving XIN with a LVPECL Driver

Figure 11 shows an example of the interface diagram for a 3.3V LVPECL driver. This is a standard LVPECL termination with one side of the driver feeding the XIN/REF input. It is recommended that all components in the schematic be placed in the layout; though some components may not be used, they can be used for debugging purposes. The datasheet specifications are characterized and guaranteed using a quartz crystal as the input. If the driver is 2.5V LVPECL, the only required change is to use the appropriate R3 value.

Figure 11. Overdriving XIN with a LVPECL Driver

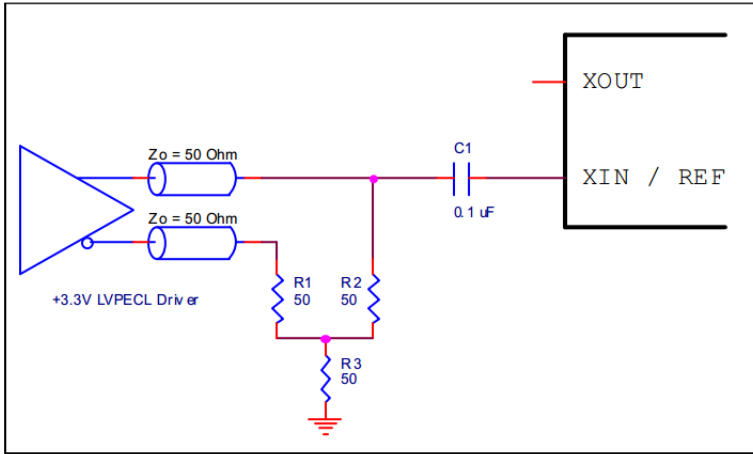


Table 22 shows resistor values that ensure the maximum drive level for the XIN port is not exceeded for all combinations of 5% tolerance on the driver  $V_{DD}$ ,  $V_{DD00}$ , and 5% resistor tolerances. The resistor values can be adjusted to reduce the loading for a slower and weaker LVCMOS driver by increasing the impedance of the R1–R2 divider. To better assist with this assessment, the total load ( $R_o+R_s+R1+R2$ ) on the driver is included in the table.

Table 22. Nominal Voltage Divider Values for Overdriving XIN with Single-ended Driver

LVCMOS Diver $V_{DD}$	$R_o + R_s$	R1	R2	$V_{rx}$ (peak)	$R_o+R_s+R1+R2$
3.3	50.0	130	75	0.97	255
2.5	50.0	100	100	1.00	250
1.8	50.0	62	130	0.97	242

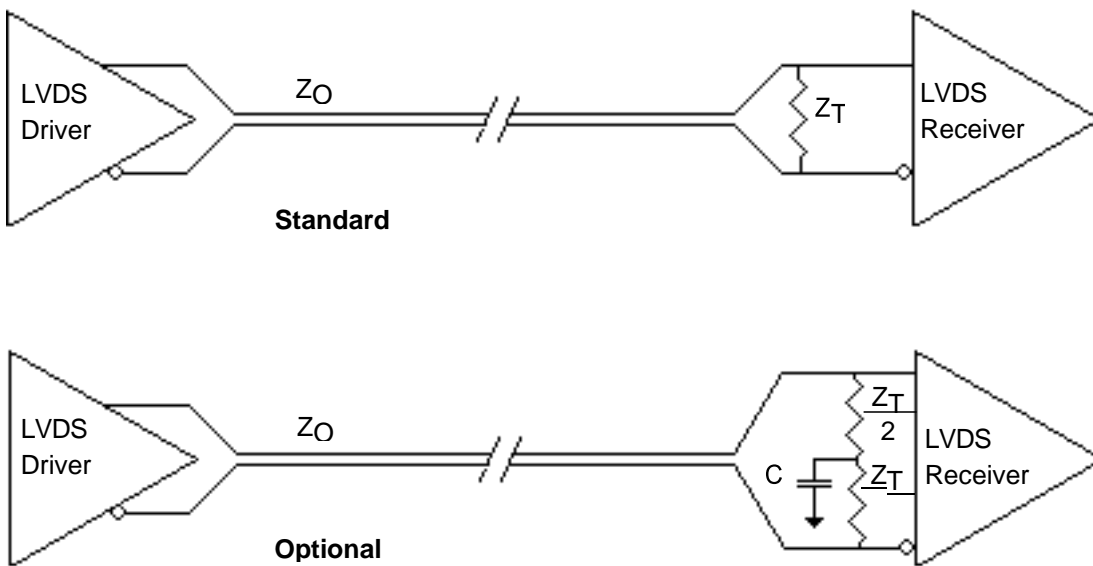
## 11.2 Output – Single-ended or Differential Clock Terminations

### 11.2.1 LVDS Termination

For a general LVDS interface, the recommended value for the termination impedance ( $Z_T$ ) is between  $90\Omega$  and  $132\Omega$ . The actual value should be selected to match the differential impedance ( $Z_0$ ) of your transmission line. A typical point-to-point LVDS design uses a  $100\Omega$  parallel resistor at the receiver and a  $100\Omega$  Differential transmission-line environment. In order to avoid any transmission-line reflection issues, the components should be surface mounted and must be placed as close to the receiver as possible. The standard termination schematic as shown in figure *Standard Termination* or the termination of figure *Optional Termination* can be used, which uses a center tap capacitance to help filter common mode noise. The capacitor value should be approximately  $50\text{pF}$ . In addition, since these outputs are LVDS compatible, the input receiver's amplitude and common-mode input range should be verified for compatibility with the IDT LVDS output.

If using a non-standard termination, it is recommended to contact IDT and confirm that the termination will function as intended. For example, the LVDS outputs cannot be AC coupled by placing capacitors between the LVDS outputs and the  $100\Omega$  shunt load. If AC coupling is required, the coupling caps must be placed between the  $100\Omega$  shunt termination and the receiver. In this manner the termination of the LVDS output remains DC coupled.

Figure 12. Standard and Optional Terminations



### 11.2.2 LVPECL Termination

The clock layout topology shown below are typical terminations for LVPECL outputs. The differential outputs generate ECL/LVPECL compatible outputs. Therefore, terminating resistors (DC current path to ground) or current sources must be used for functionality. These outputs are designed to drive 50Ω transmission lines. Matched impedance techniques should be used to maximize operating frequency and minimize signal distortion. For  $V_{DDO} = 2.5V$ , the  $V_{DDO} - 2V$  is very close to ground level. The  $R_3$  in 2.5V LVPECL Output Termination can be eliminated and the termination is shown in 2.5V LVPECL Output Termination (2).

Figure 13. 3.3V LVPECL Output Termination

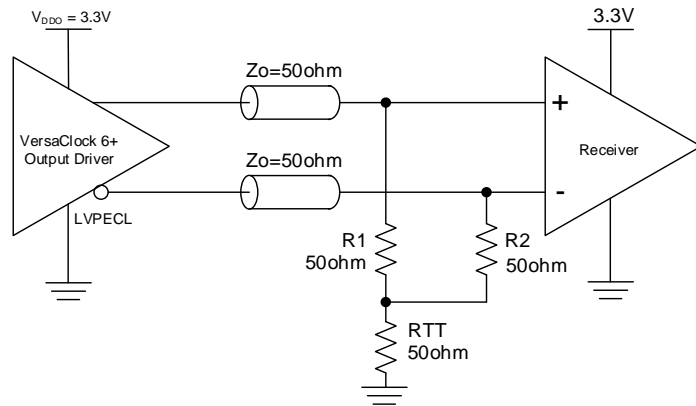


Figure 15. 2.5V LVPECL Output Termination

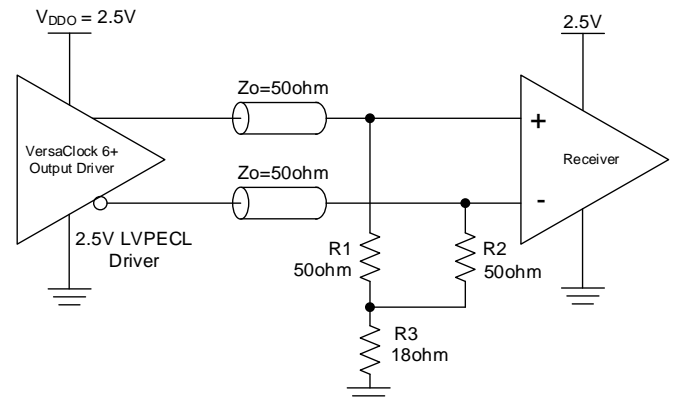


Figure 14. 3.3V LVPECL Output Termination (2)

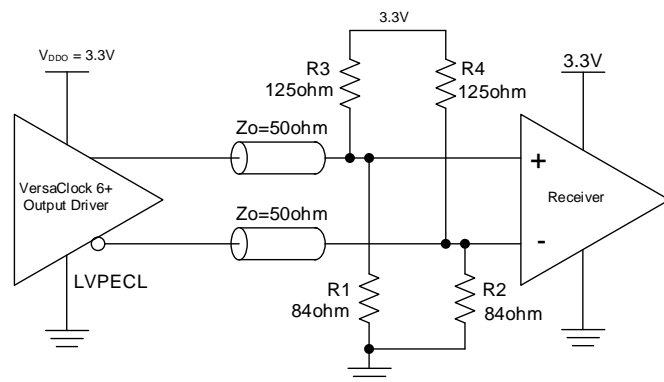


Figure 16. 2.5V LVPECL Output Termination (2)

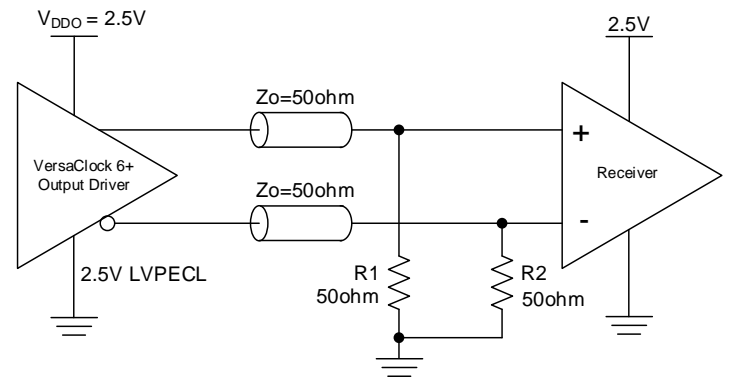
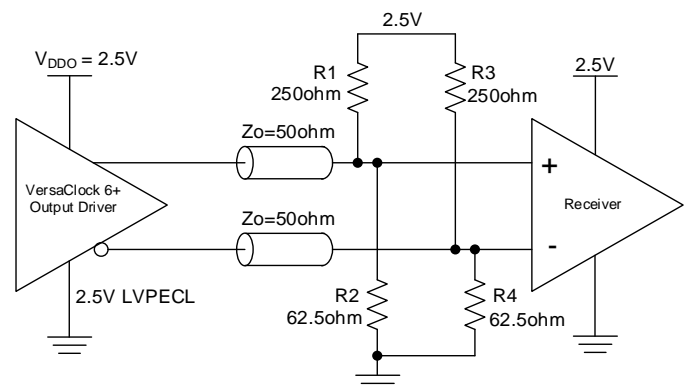


Figure 17. 2.5V LVPECL Output Termination (3)



### 11.2.3 HCSL Termination

HCSL termination scheme applies to both 3.3V and 2.5V VDDO.

Figure 18. HCSL Receiver Terminated

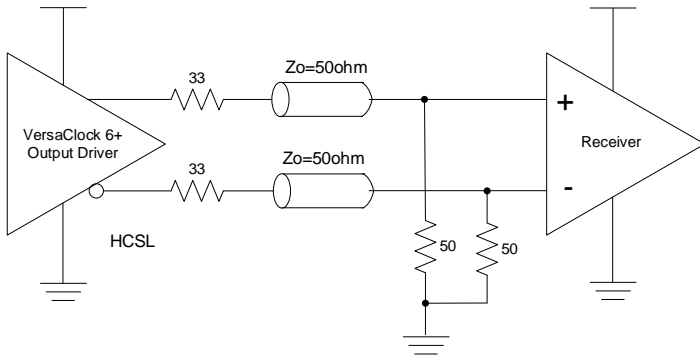
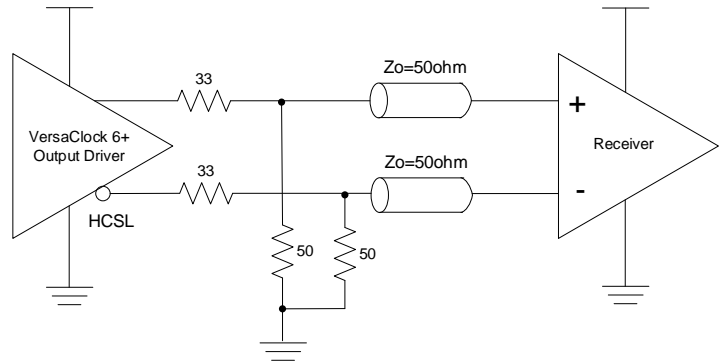


Figure 19. HCSL Source Terminated

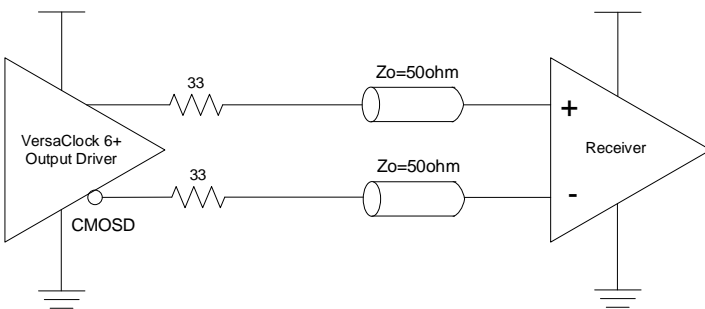


### 11.2.4 LVCMOS Termination

Each output pair can be configured as a standalone CMOS or dual-CMOS output driver. An example of CMOSD driver termination is shown in the following figure:

- CMOS1 – Single CMOS active on OUTx pin
- CMOS2 – Single CMOS active on OUTxB pin
- CMOSD – Dual CMOS outputs active on both OUTx and OUTxB pins, 180 degrees out of phase
- CMOSX2 – Dual CMOS outputs active on both OUTx and OUTxB pins, in-phase.

Figure 20. LVCMOS Termination

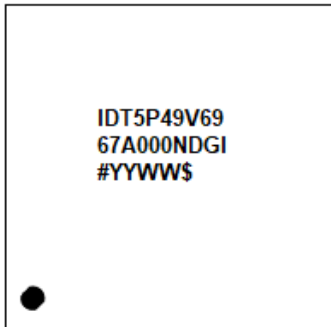


## 12. Package Outline Drawings

The package outline drawings are appended at the end of this document and are accessible from the link below. The package information is the most current data available.

[www.idt.com/document/psc/ndndg40p3-package-outline-50-x-50-mm-bodyepad-360mm-sq-040-mm-pitch-qfn](http://www.idt.com/document/psc/ndndg40p3-package-outline-50-x-50-mm-bodyepad-360mm-sq-040-mm-pitch-qfn)

## 13. Marking Diagram



1. Lines 1 and 2 indicate the part number.
2. Line 3:
  - “YYWW” is the last digit of the year and week that the part was assembled.
  - # denotes the sequential lot number.
  - “\$” denotes the mark code.

## 14. Ordering Information

Orderable Part Number <sup>[a][b]</sup>	Package	Carrier Type	Temperature
5P49V6967AdddNDGI	5 × 5 mm 40-VFQFPN	Tray	-40° to +85°C
5P49V6967AdddNDGI8	5 × 5 mm 40-VFQFPN	Tape and Reel	-40° to +85°C
5P49V6967A000NDGI	5 × 5 mm 40-VFQFPN	Tray	-40° to +85°C
5P49V6967A000NDGI8	5 × 5 mm 40-VFQFPN	Tape and Reel	-40° to +85°C

[a] “ddd” denotes factory programmed configurations based on required settings. Please contact factory for factory programming.

[b] “000” denotes un-programmed parts for user customization.

## 15. Revision History

Revision Date	Description of Change
July 5, 2018	Removed all references to CLKIN.
March 16, 2018	<ul style="list-style-type: none"> <li>• Updated absolute maximum ratings for supply voltage to 3.6V.</li> <li>• Updated typical and maximum values in Current Consumption table.</li> <li>• Minor updates to AC Timing Characteristics, CMOS Outputs, and LVDS Outputs tables.</li> </ul>
December 12, 2017	Initial release.



Corporate Headquarters  
 6024 Silver Creek Valley Road  
 San Jose, CA 95138  
[www.IDT.com](http://www.IDT.com)

Sales  
 1-800-345-7015 or 408-284-8200  
 Fax: 408-284-2775  
[www.IDT.com/go/sales](http://www.IDT.com/go/sales)

Tech Support  
[www.IDT.com/go/support](http://www.IDT.com/go/support)

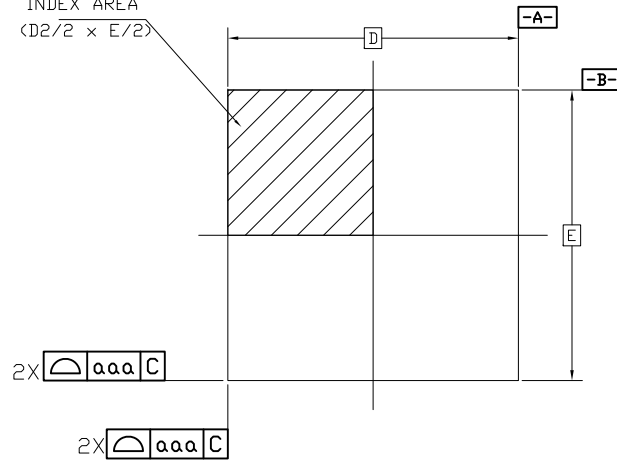
DISCLAIMER Integrated Device Technology, Inc. (IDT) and its affiliated companies (herein referred to as "IDT") reserve the right to modify the products and/or specifications described herein at any time, without notice, at IDT's sole discretion. Performance specifications and operating parameters of the described products are determined in an independent state and are not guaranteed to perform the same way when installed in customer products. The information contained herein is provided without representation or warranty of any kind, whether express or implied, including, but not limited to, the suitability of IDT's products for any particular purpose, an implied warranty of merchantability, or non-infringement of the intellectual property rights of others. This document is presented only as a guide and does not convey any license under intellectual property rights of IDT or any third parties.

IDT's products are not intended for use in applications involving extreme environmental conditions or in life support systems or similar devices where the failure or malfunction of an IDT product can be reasonably expected to significantly affect the health or safety of users. Anyone using an IDT product in such a manner does so at their own risk, absent an express, written agreement by IDT.

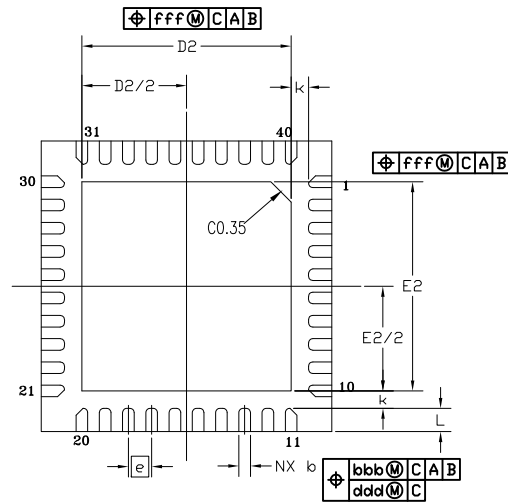
Integrated Device Technology, IDT and the IDT logo are trademarks or registered trademarks of IDT and its subsidiaries in the United States and other countries. Other trademarks used herein are the property of IDT or their respective third party owners. For datasheet type definitions and a glossary of common terms, visit [www.idt.com/go/glossary](http://www.idt.com/go/glossary). All contents of this document are copyright of Integrated Device Technology, Inc. All rights reserved.

DATE		REVISIONS		
CREATED	REV	DESCRIPTION		AUTHOR
3/15/17	00	INITIAL RELEASE		JH
NOTE: REFER TO DCP FOR OFFICIAL RELEASE DATE				

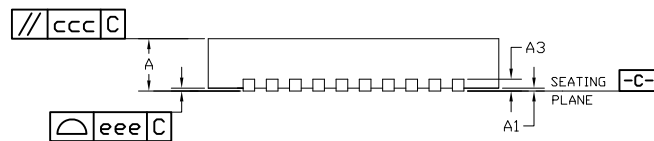
INDEX AREA  
(D2/2 x E/2)



TOP VIEW



BOTTOM VIEW



SIDE VIEW

SYMBOL	DIMENSION		
	MIN	NOM	MAX
b	0.15	0.20	0.25
D	5.00 BSC		
E	5.00 BSC		
D2	3.50	3.60	3.70
E2	3.50	3.60	3.70
L	0.30	0.40	0.50
e	0.40 BSC		
N	40		
ND	10 (note 3)		
NE	10 (note 3)		
A	0.80	0.90	1.00
A1	0.00	0.02	0.05
A3	0.2 REF		
k	0.30 REF		
aaa	0.10		
bbb	0.07		
ccc	0.10		
ddd	0.05		
eee	0.08		
fff	0.10		

NOTES:

1. ALL DIMENSIONING AND TOLERANCING CONFORM TO ANSI Y14.5M-1982
2. ALL DIMENSIONS ARE IN MILLIMETERS.
3. ND AND NE REFER TO THE NUMBER OF TERMINALS ON EACH D AND E SIDE RESPECTIVELY.

TOLERANCES  
UNLESS SPECIFIED  
DECIMAL ANGULAR  
X±.1 ±1°  
XX±.05  
XXX± .030



6024 SILVER CREEK  
VALLEY ROAD. SAN JOSE,  
CA 95138  
PHONE: (408) 284-8200  
FAX: (408) 284-3572

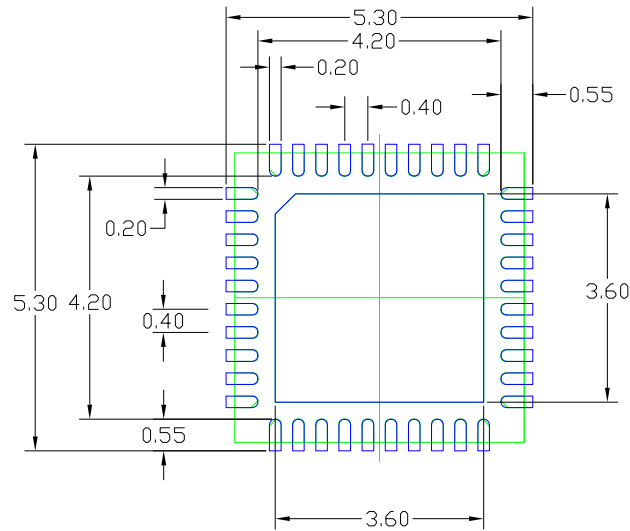
TITLE ND/NDG40P3 PACKAGE OUTLINE  
5.0 x 5.0 mm BODY, EPAD 3.60mm SQ.  
0.40 mm PITCH QFN

SIZE	DRAWING No.	REV
C	PSC-4292-03	00

DO NOT SCALE DRAWING

SHEET 1 OF 2


DATE	REVISIONS		
CREATED	REV	DESCRIPTION	AUTHOR
3/15/17	00	INITIAL RELEASE	JH
NOTE: REFER TO DCP FOR OFFICIAL RELEASE DATE			



### RECOMMENDED LAND PATTERN

#### NOTES:

1. ALL DIMENSIONS ARE IN mm. ANGLES IN DEGREES.
2. TOP DOWN VIEW AS VIEWED ON PCB.
3. COMPONENT OUTLINE SHOWS FOR REFERENCE IN GREEN.
4. LAND PATTERN IN BLUE. NSMD PATTERN ASSUMED.
5. LAND PATTERN RECOMMENDATION PER IPC-7351B GENERIC REQUIREMENT FOR SURFACE MOUNT DESIGN AND LAND PATTERN.

TOLERANCES UNLESS SPECIFIED		 <b>www.IDT.com</b>	6024 SILVER CREEK VALLEY ROAD, SAN JOSE, CA 95138 PHONE: (408) 284-8200 FAX: (408) 284-3572	
DECIMAL	ANGULAR			
X±.1 XX±.05 XXX±.030	±1°			
TITLE/NDG40P3 PACKAGE OUTLINE 5.0 x 5.0 mm BODY, EPAD 3.60mm SQ. 0.40 mm PITCH QFN		SIZE	DRAWING No.	REV
		C	PSC-4292-03	00
DO NOT SCALE DRAWING			SHEET 2 OF 2	