

SPECIFICATIONS

(RoHS Compliant)



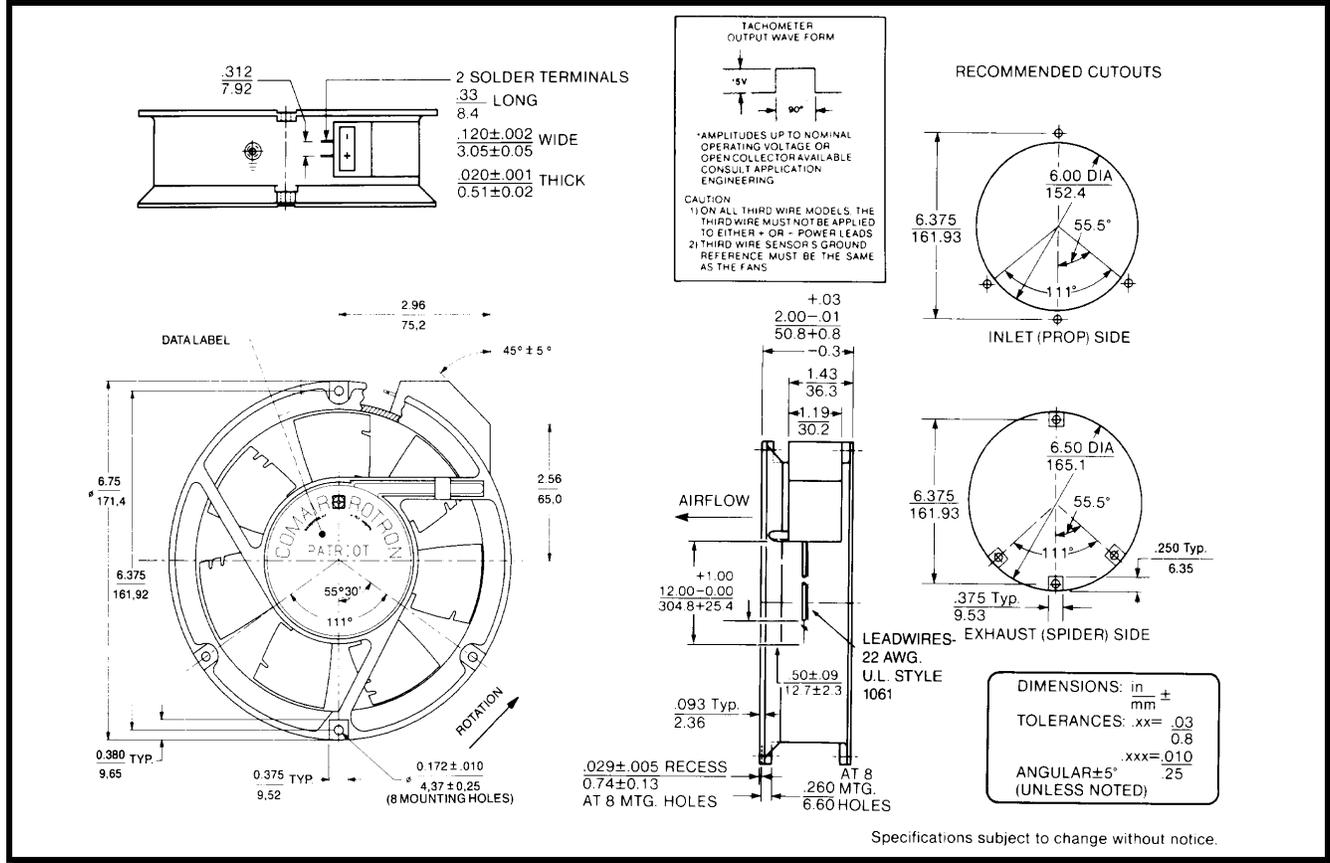
Model Number: PQ12B3E2X-E3

Rev:00

Part Number: 17001190A

Jun 12, 2018

Mechanical Drawing:



Motor:

- Nominal Voltage = 12 vdc
- Operating Voltage Range = 8 – 16 vdc
- Nominal Running Current = 2.260amps
- Locked Rotor Current = 4.00 amps
- Running Power = 27.1 watts
- Average Speed = 3400 RPM
- Bearings = Ball
- Air Flow = 235 CFM
- Acoustic = 54.3 dBA

Construction:
 Venturi: Single piece, die-cast aluminum, Black
 Propeller: Plastic, Black, UL 94V-0

Life Expectancy:
 This fan is designed for continuous duty life of 58,000 hours at 70°C.

Termination:
 12"±1"(304.8±25.4mm) 22AWG UL1061 Leadwires

- Red = Power(+)
- Black = Return(-)
- Blue/White = Tach output
- Yellow = PWM control

Additional Features:

- Brushless DC Motor
- Polarity Protected
- Locked Rotor Protection
- Automatic Restart Capability
- Operating Temperature: -10°C to 70°C
- Storage Temperature: -40°C to 85°C
- Environmental Protection: Type 3(IP68)

TACHOMETER:

- Output: Open Collector
- Ic: 20 mA max.
- Vcc: 32 Vdc max.
- Pulses per Revolution: 2
- Isolated: No

Speed Control:

- PWM: 200 ~ 2 KHz, Open Collector
- <10% Duty: Off
- 10%~95% Duty: Linear Ramp
- >95% Duty or Open Lead Wire: Full Speed

Agency Approvals:
 UL, CUL, CE

PQ Curve:

