

MICRO SWITCH

FREEPORT ILLINOIS, U.S.A
A DIVISION OF HONEYWELL
FED. MFG. CODE 91929

SWITCH - BASIC

CATALOG LISTING
YZ-R296-A2

YZ-R296-A2

M

DRAWING NUMBER

4

ISSUE

REPLACES X77807-YZ

RELEASE NO. PR-12892

CHECK

REVISIONS

A	CO-73287-J	JAH	22 NOV 93
B	CO-77588	KDR	29 MAR 94
C	0000713	JAH	30 JUN 03

CHECK

11 APRIL 84

CHECK

11 APRIL 84

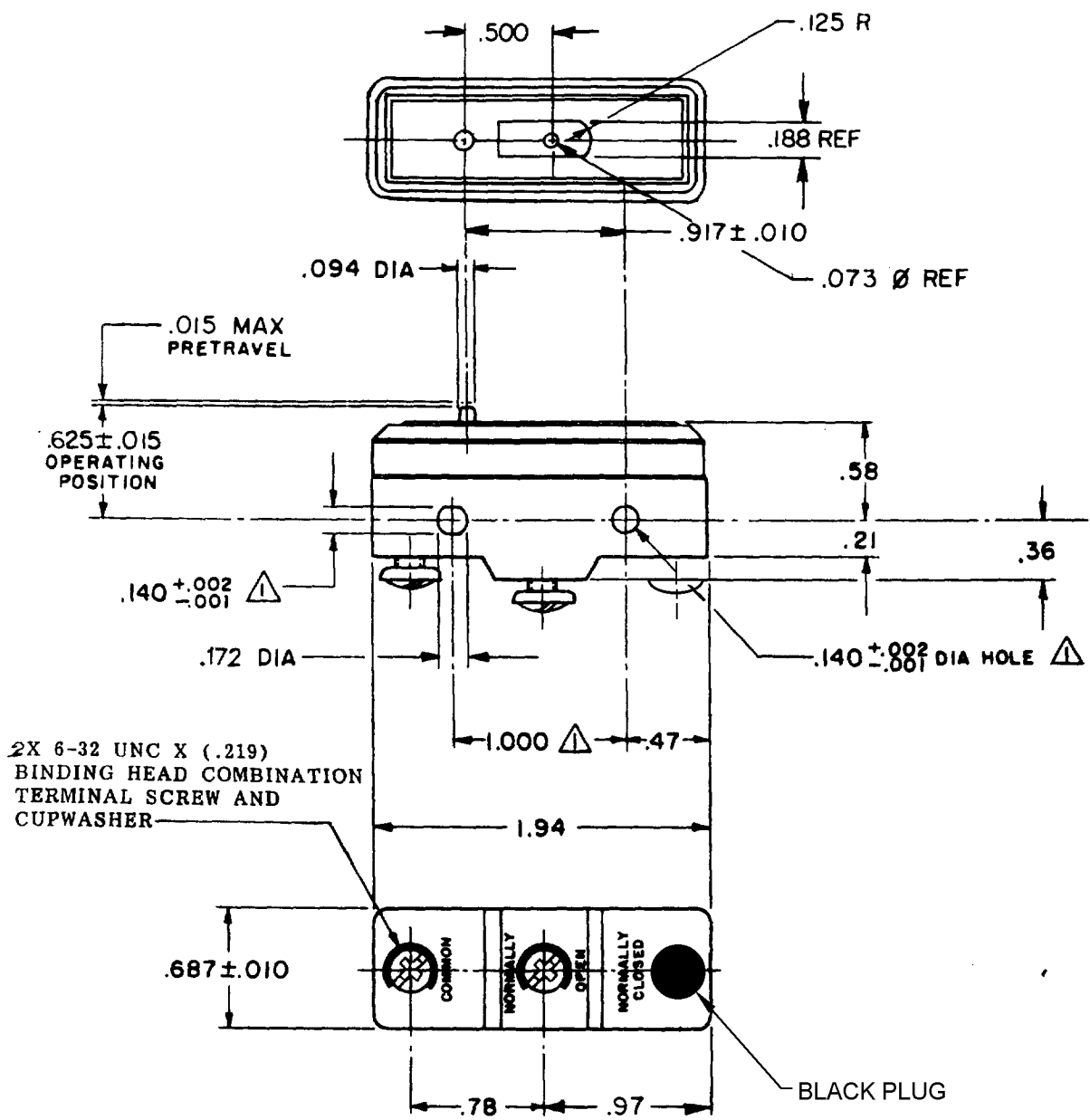
CHECK

11 APRIL 84

CHECK

RASTER

DRAWN



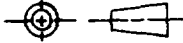
2X 6-32 UNC X (.219)
BINDING HEAD COMBINATION
TERMINAL SCREW AND
CUPWASHER

NOTE

▲ MOUNTING HOLES WILL ACCEPT PINS OR SCREWS OF .139 MAX DIA ON 1.000 ± .002 CENTERS

THIS DRAWING COVERS A PROPRIETARY ITEM AND IS THE PROPERTY OF MICRO SWITCH, A DIVISION OF HONEYWELL. THIS DRAWING IS NOT TO BE COPIED OR USED WITHOUT THE APPROVAL OF MICRO SWITCH.

THIRD ANGLE PROJECTION



CHARACTERISTICS	ELECTRICAL DATA	SCALE FULL																														
		DO NOT SCALE PRINT																														
OPERATING FORCE ----- 7-9 OZ	CONTACT ARRANGEMENT S P N O	TOLERANCES APPLY TO DESIGN UNITS. CONVERSIONS ARE ONLY FOR REFERENCE. UNLESS NOTED, TOLERANCES ARE ±																														
RELEASE FORCE ----- 4 OZ MIN	CODE L103 15A-125, 250 OR 480 VAC 1/8HP-125 VAC; 1/4HP-250 VAC																															
DIFFERENTIAL TRAVEL ----- .0005 MAX		<table border="1"> <thead> <tr> <th></th> <th>DIM.</th> <th>TOL.</th> <th>DIM.</th> <th>TOL.</th> </tr> <tr> <th></th> <th>mm</th> <th>mm/in</th> <th>in</th> <th>mm/in</th> </tr> </thead> <tbody> <tr> <td>NO PLACES</td> <td>X</td> <td>1/.04</td> <td></td> <td></td> </tr> <tr> <td>ONE PLACE</td> <td>X, X</td> <td>0.4/.016</td> <td>X, X</td> <td>3.8/.03</td> </tr> <tr> <td>TWO PLACES</td> <td>X, XX</td> <td>0.15/.006</td> <td>X, XX</td> <td>0.38/.018</td> </tr> <tr> <td>THREE PLACES</td> <td>X, XXX</td> <td></td> <td>X, XXX</td> <td>0.13/.006</td> </tr> </tbody> </table>		DIM.	TOL.	DIM.	TOL.		mm	mm/in	in	mm/in	NO PLACES	X	1/.04			ONE PLACE	X, X	0.4/.016	X, X	3.8/.03	TWO PLACES	X, XX	0.15/.006	X, XX	0.38/.018	THREE PLACES	X, XXX		X, XXX	0.13/.006
		DIM.	TOL.	DIM.	TOL.																											
	mm	mm/in	in	mm/in																												
NO PLACES	X	1/.04																														
ONE PLACE	X, X	0.4/.016	X, X	3.8/.03																												
TWO PLACES	X, XX	0.15/.006	X, XX	0.38/.018																												
THREE PLACES	X, XXX		X, XXX	0.13/.006																												
OVERTRAVEL ----- .005 MIN		DESIGN UNITS <input type="checkbox"/> SI METRIC <input checked="" type="checkbox"/> US CUSTOMARY																														
		WEIGHT																														