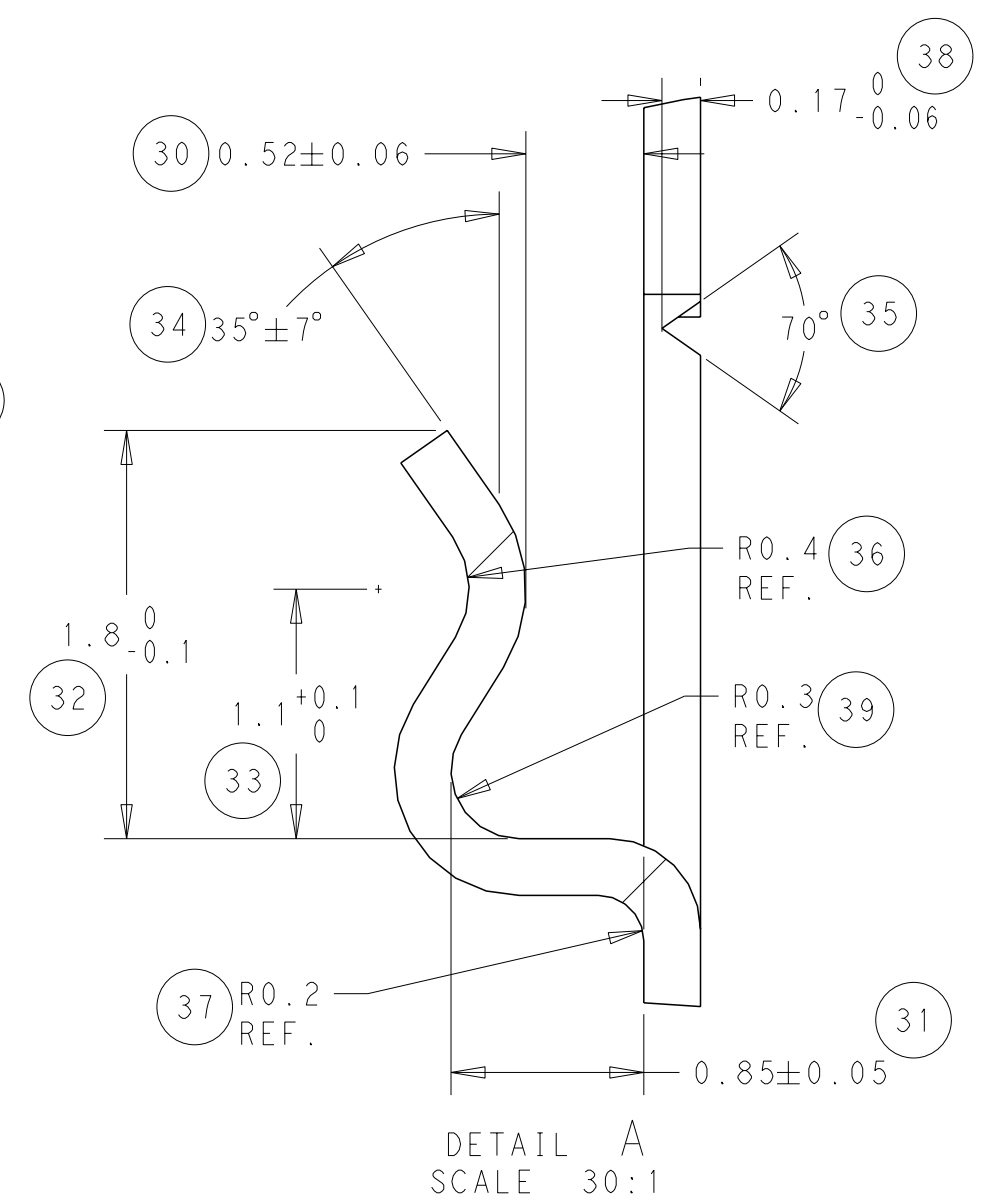
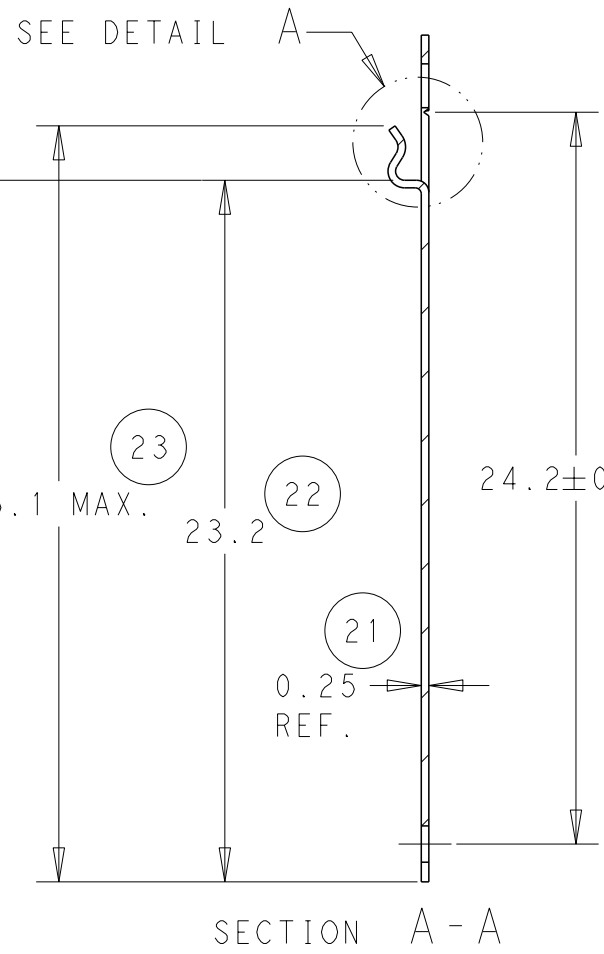
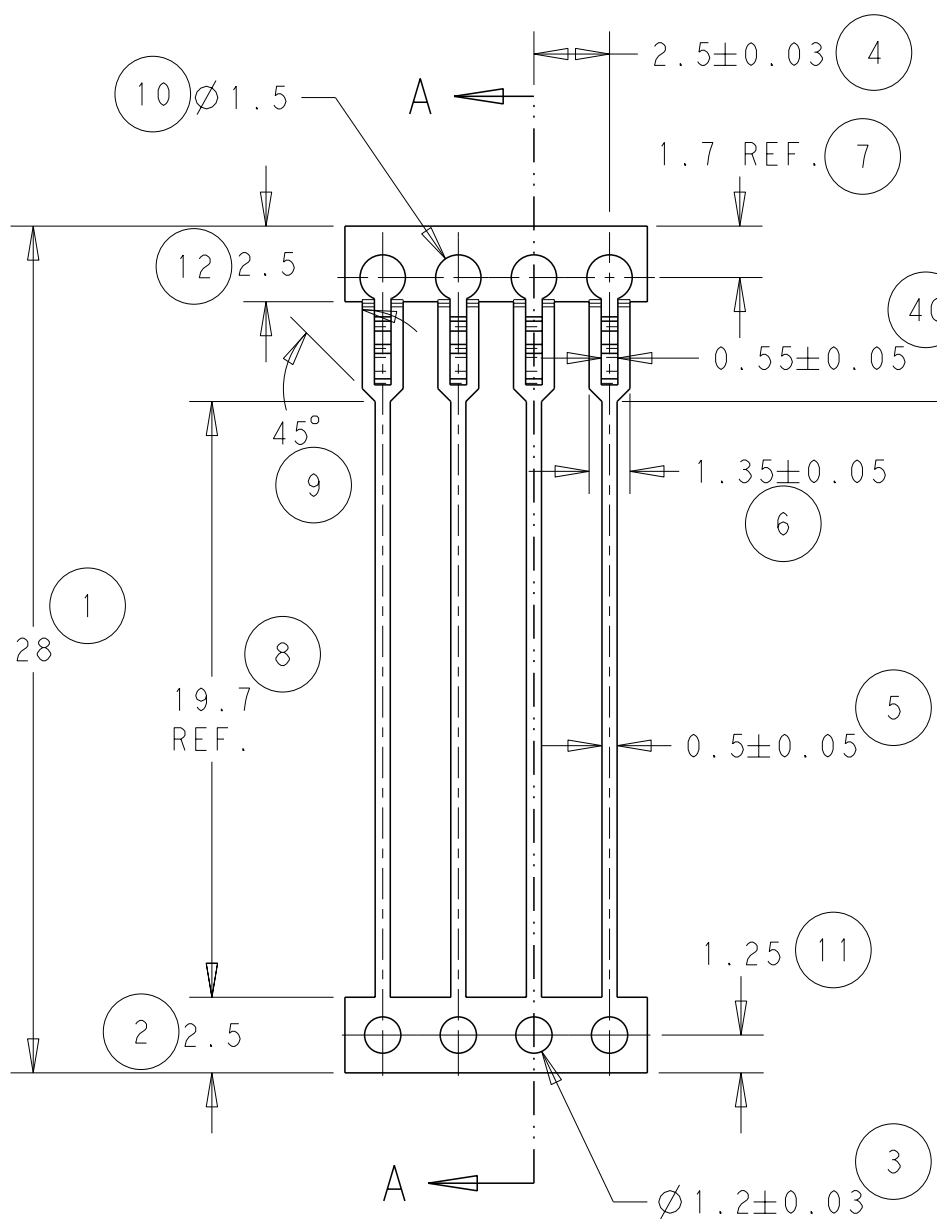
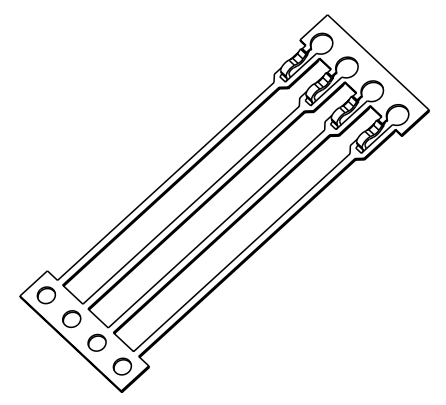


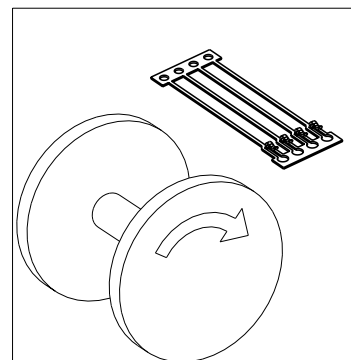
LOC	DIST	REVISIONS				
P	LTR	DESCRIPTION	DATE	DWN	APVD	
B	-	J	ECR-13-001710	29/01/13	JB	MG



NOTE
 BOWING: AFTER UPPER TIE BAR REMOVAL- 2.0mm MAX. FOR 500mm
 PITCH: AFTER UPPER TIE BAR REMOVAL- 2.5±0.2



SCALE 2:1



DIRECTION OF TOP OF REEL

DIRECTION "0" CONTACTS DOWN	DIRECTION "1" CONTACTS UPWARDS	DIRECTION
--------------------------------	-----------------------------------	-----------

THIS DRAWING IS A CONTROLLED DOCUMENT.

DIMENSIONS:	TOLERANCES UNLESS OTHERWISE SPECIFIED:
mm	0 PLC ±-
	1 PLC ±0.1
	2 PLC ±0.05
	3 PLC ±0.05
	4 PLC ±-
	ANGLES ±3
	FINISH SEE TABLE

MATERIAL PhBz

DWN	01/09/11
J. BRIGHT	
CHK	01/09/11
M. GREENER	
APVD	01/09/11
D. PENNINGTON	
PRODUCT SPEC	-
APPLICATION SPEC	-
WEIGHT	-

0	PRE-TIN	0-1544118-1
REELING	FINISH	PART NUMBER
TE TE Connectivity		
NAME SIL CONTACT		
SIZE	CAGE CODE	DRAWING NO
A300779	C=1544118	
CUSTOMER DRAWING	SCALE NTS	SHEET 1 OF 1
		REV J