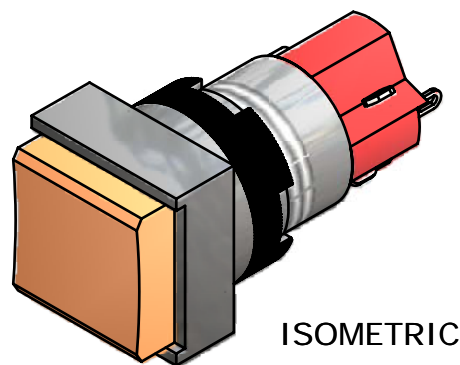
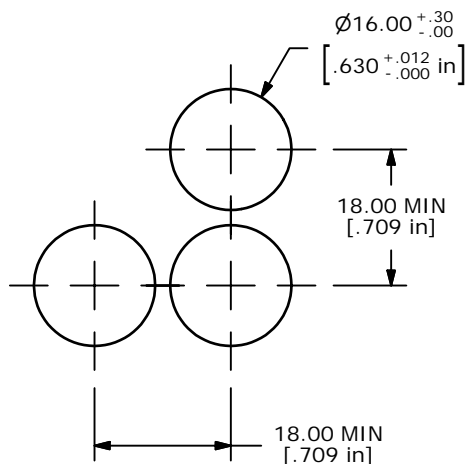
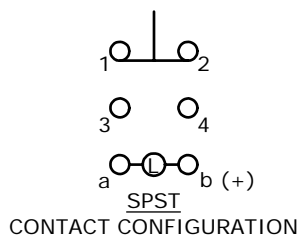


PARTS LIST			
ITEM	QTY	PART NUMBER	DESCRIPTION
1	1	F040008	D16OAS11
2	1	F050303	50-003-03 TRANSPARENT ORANGE

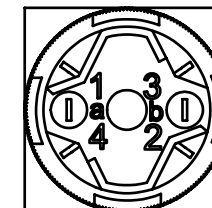
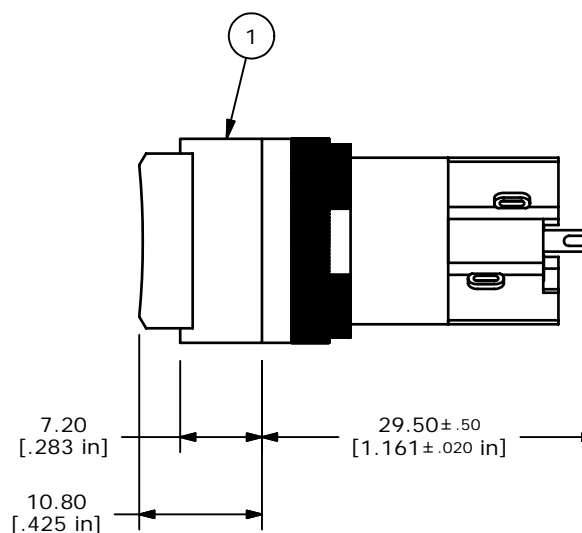
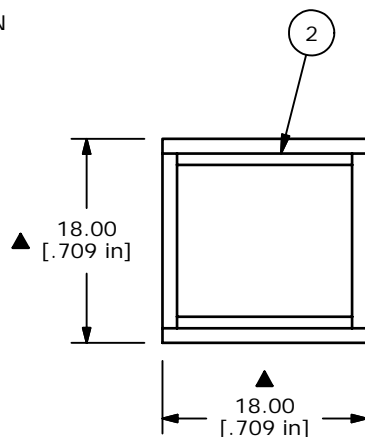


ISOMETRIC

PANEL MOUNTING



CONTACT CONFIGURATION



- NOTE:
- ALL DIMENSIONS IN MM [INCH]
 - GENERAL TOLERANCE: X.X=±0.4
X.XX=±0.25
 - TERMINAL NUMBERS FOR REF ONLY
 - RATING: 5A @ 250 VAC
6A @ 24 VDC
 - ELECTRICAL LIFE: 2,000,000 OPERATIONS
 - INSULATION RESISTANCE: 1,000 MEGA-OHM MIN.
 - OPERATING TEMP.: -25°C to 70°C
 - ▲ LAMP VOLTAGE: NONE
 - ▲ DENOTES CRITICAL PARAMETER.
 - PACKAGE: BOX/20 PIECES PER BOX
 - 2002/95/EC (ROHS) COMPLIANT



A	17374	RELEASED FOR PRODUCTION	6/12/07	TN
REV	PCR NO	DESCRIPTION	DATE	BY

TITLE D16OAS110ORG				
SCALE	DATE	DR	DWG	REV
1.5:1	6/12/2007	TN	XF0722P	A

THE INFORMATION CONTAINED IN THIS DOCUMENT IS PROPRIETARY TO E-SWITCH AND IS NOT TO BE COPIED OR TRANSFERRED