

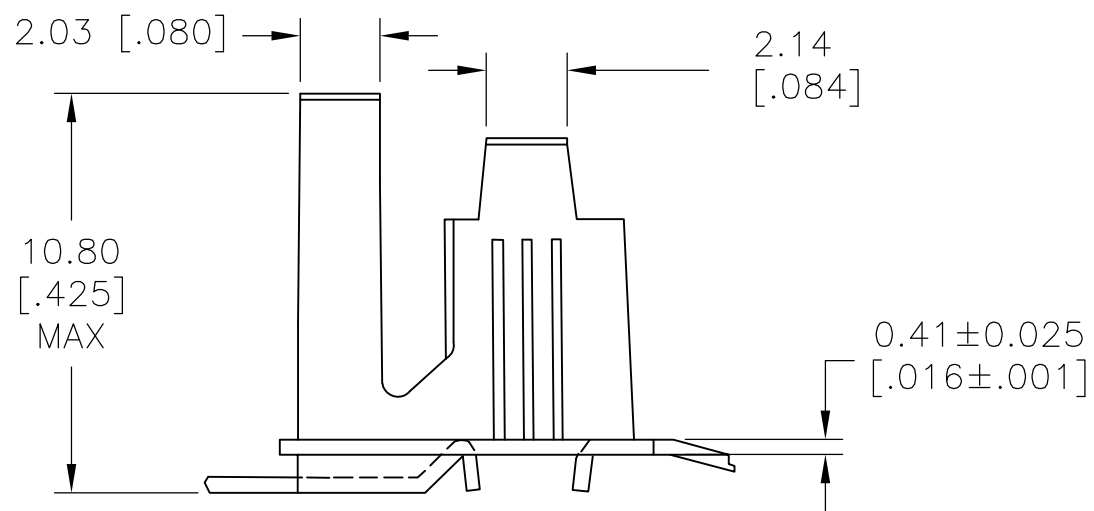
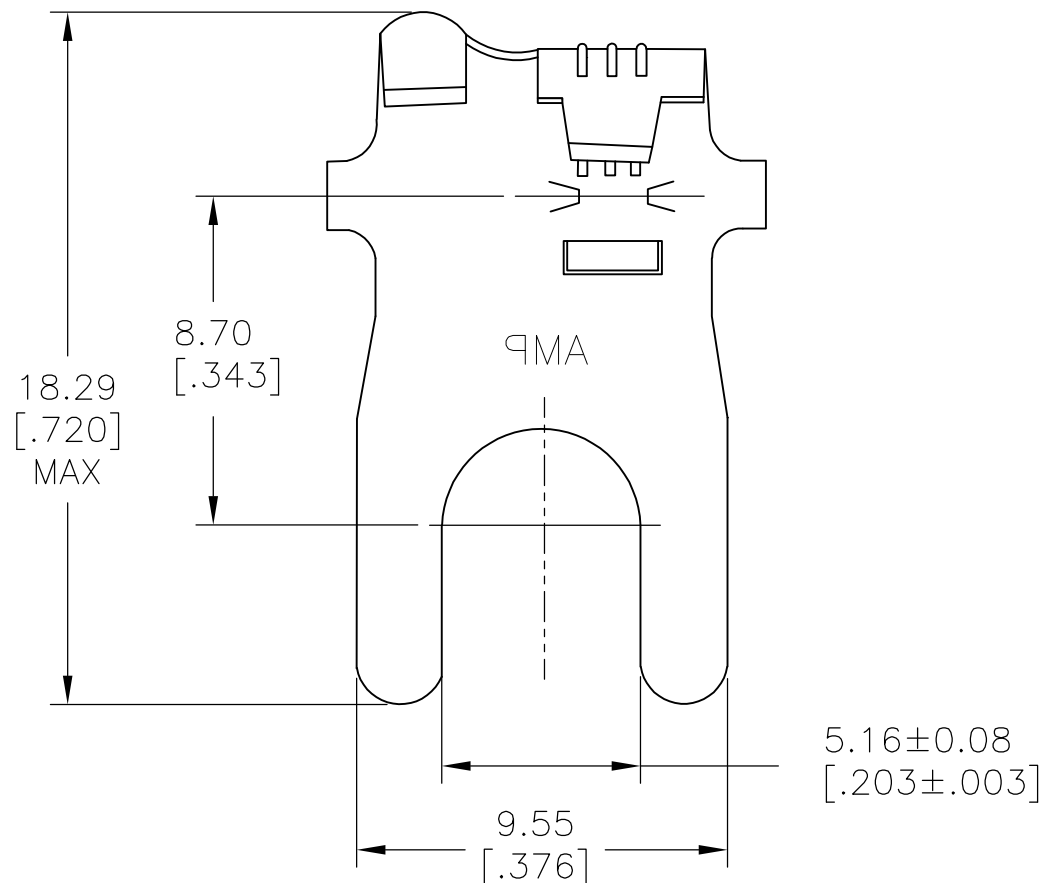
THIS DRAWING IS UNPUBLISHED.

RELEASED FOR PUBLICATION

© COPYRIGHT - By -


ALL RIGHTS RESERVED.

LOC	DIST	REVISIONS					
		P	LTR	DESCRIPTION	DATE	DWN	APVD
-	-		A	DRAWN	09FEB13	JR	PD



- 1 CONTINUOUS STRIP ON REELS ON 12.19±0.13 [.480±.005] FEED.
- 2 WIRE SIZE IS #18-#12 AWG
- 3 INSULATION RANGE IS 2.79-5.33 [.110-.210] DIA

42188-1
PART NO.

THIS DRAWING IS A CONTROLLED DOCUMENT.		DWN JR RUTH 09FEB2013	 TE Connectivity			
DIMENSIONS: mm [INCHES]		CHK PETE DESANTIS 09FEB13				
TOLERANCES UNLESS OTHERWISE SPECIFIED:		APVD PETE DESANTIS 09FEB13	NAME SPADE, FLAG			
0 PLC ± - 1 PLC ± - 2 PLC ± 0.25 [.010] 3 PLC ± - 4 PLC ± - ANGLES ± -		PRODUCT SPEC -	RESTRICTED TO -			
MATERIAL BRASS		FINISH TIN PLATE	APPLICATION SPEC -	SIZE A3	CAGE CODE 00779	DRAWING NO C-42188
CUSTOMER DRAWING			WEIGHT -	SCALE 5:1	SHEET 1 OF 1	REV A