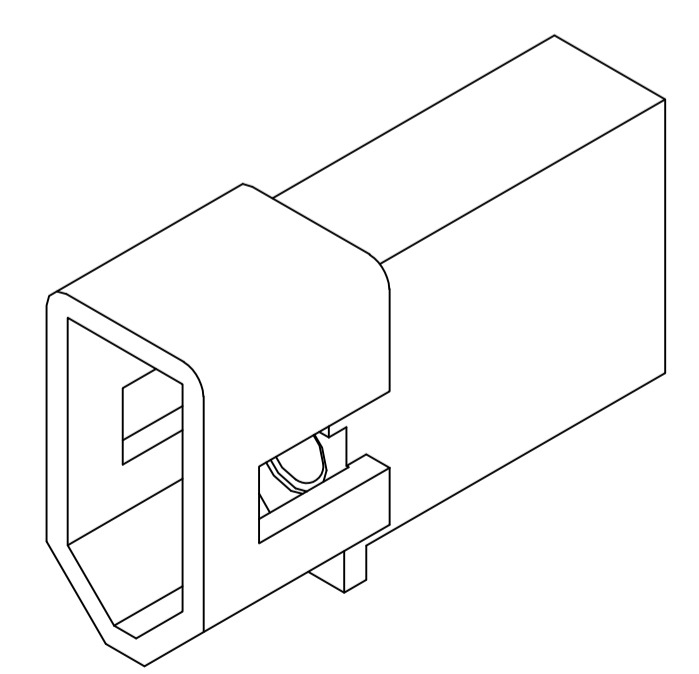
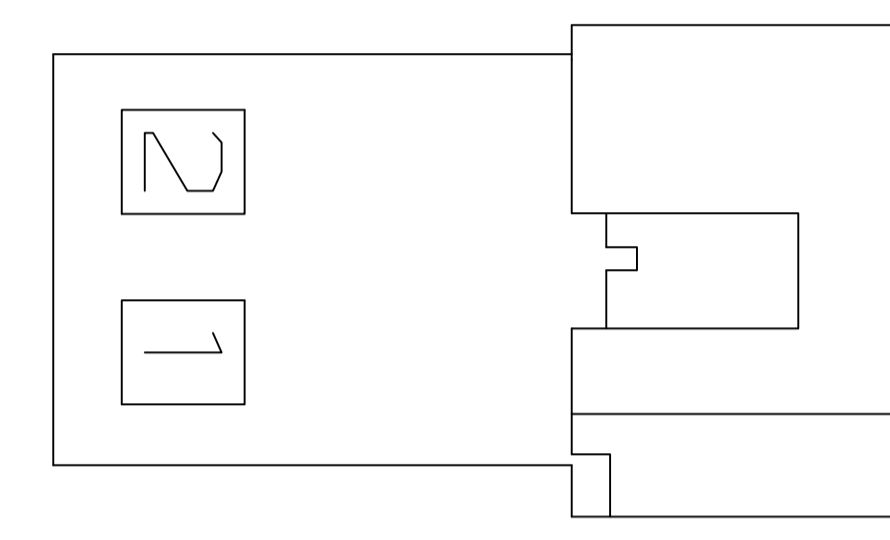
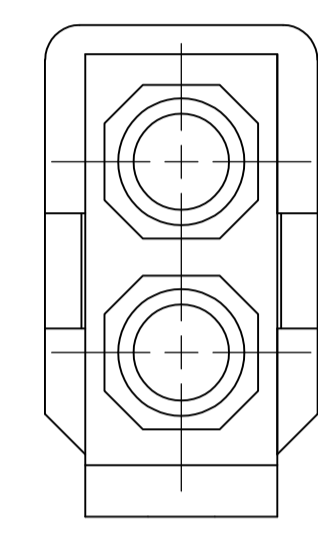
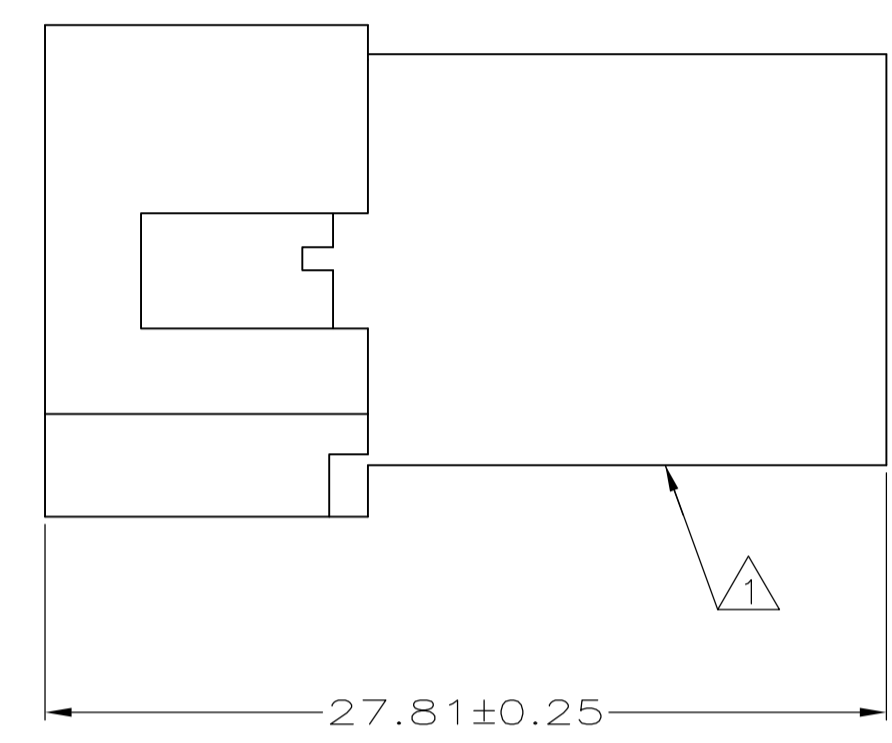
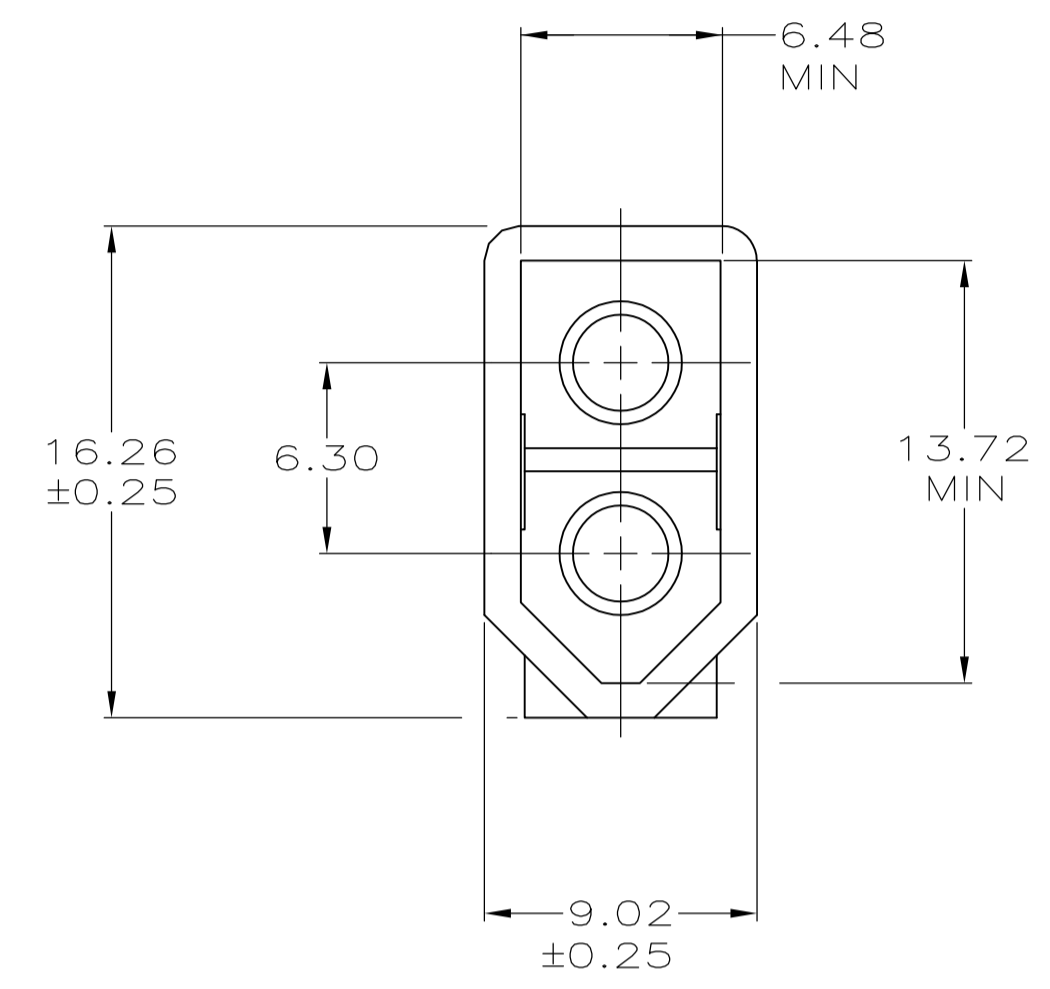


LOC		DIST		REVISIONS			
P	LTR	DESCRIPTION	DATE	DMN	APVD		
M2		REVISED PER ECO-12-012434	06JUL12	KH	SM		

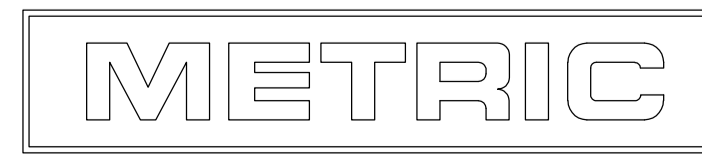
- 1 MARKING FOR UL AND CSA LOGOS LOCATED ON THIS SURFACE.
- 2 GLOW WIRE APPROVED PART
- 3 PRELIMINARY



3-DIMENSIONAL MODEL NTS

27.81	1.095
16.26	.640
13.72	.540
9.02	.355
6.48	.255
6.30	.248
2.36	.093
0.25	.010
0.13	.005
MM	IN

CONVERSION TABLE



2	3	770069-3
		770069-1
		PART NUMBER

THIS DRAWING IS A CONTROLLED DOCUMENT.		DIN K. WHITAKER 2-24-98	TE Connectivity	
		CHK R. SWING 2-24-98		
DIMENSIONS: mm		APVD R. COBLE 2-24-98	NAME	
0. PLC ± - 1. PLC ± - 2. PLC ± 0.13 3. PLC ± - 4. PLC ± - ANGLES ± -		PRODUCT SPEC		PLUG, 2 CIRCUIT, .093 PIN AND SOCKET
MATERIAL NYLON, UL 94V-2,NATURAL		APPLICATION SPEC		RESTRICTED TO
FINISH -		WEIGHT -		SIZE A1
		CUSTOMER DRAWING		SCALE 4:1 SHEET 1 OF 1 REV M2