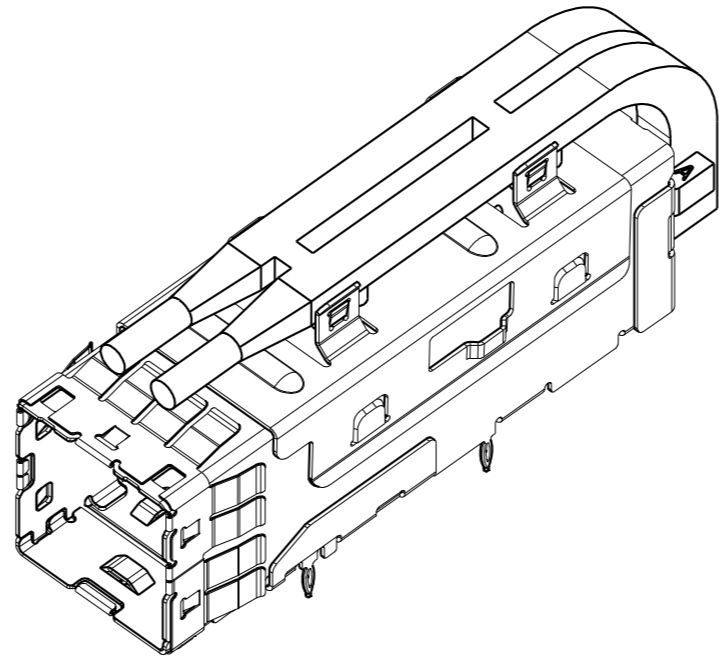
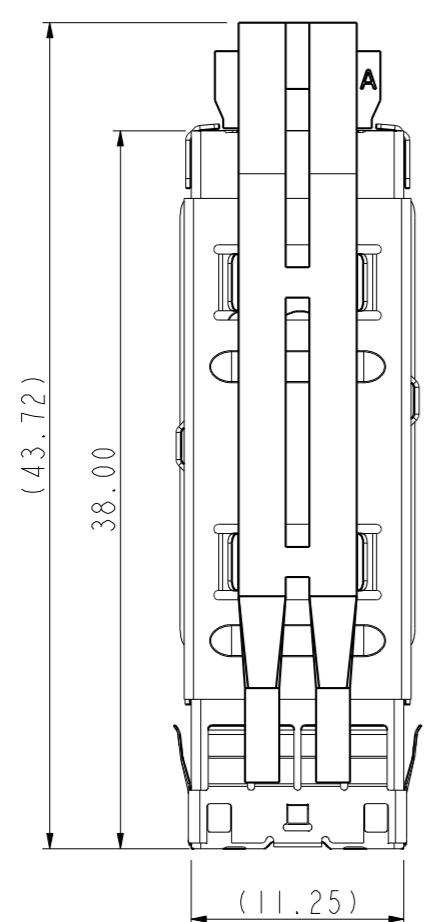


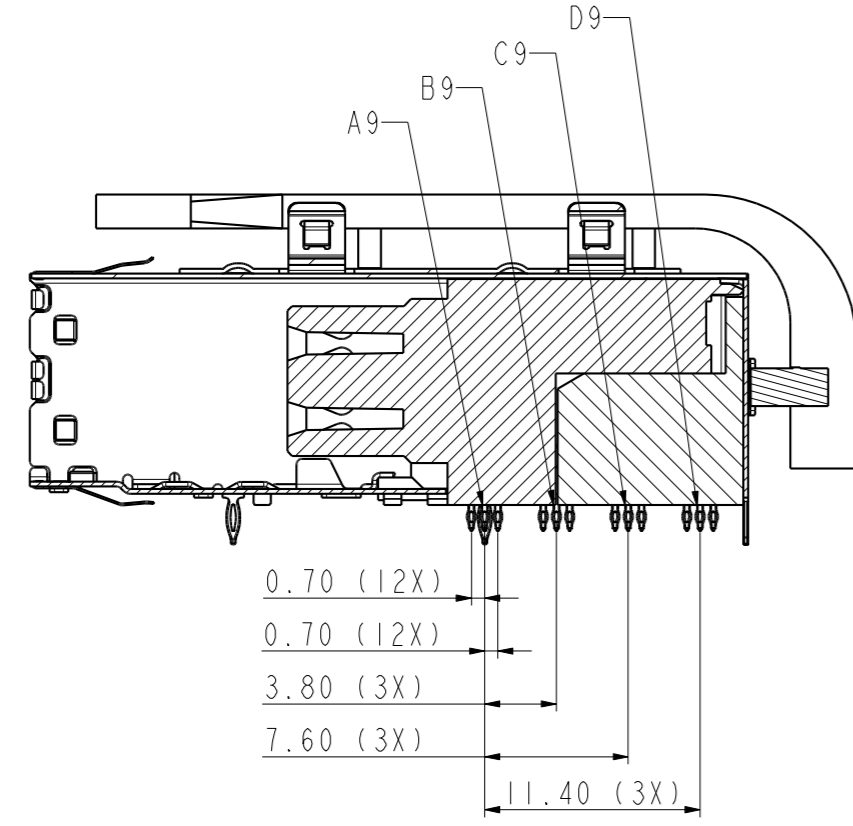
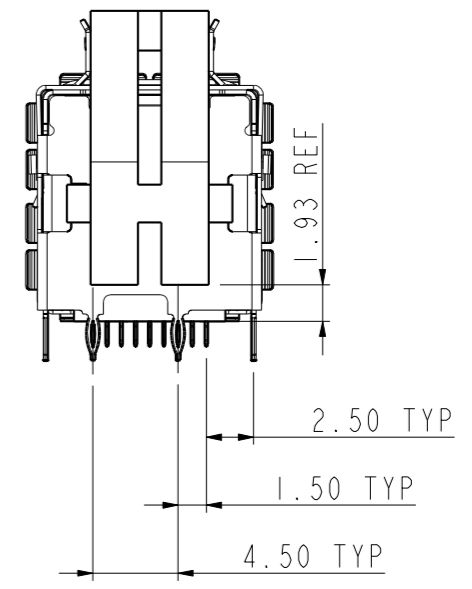
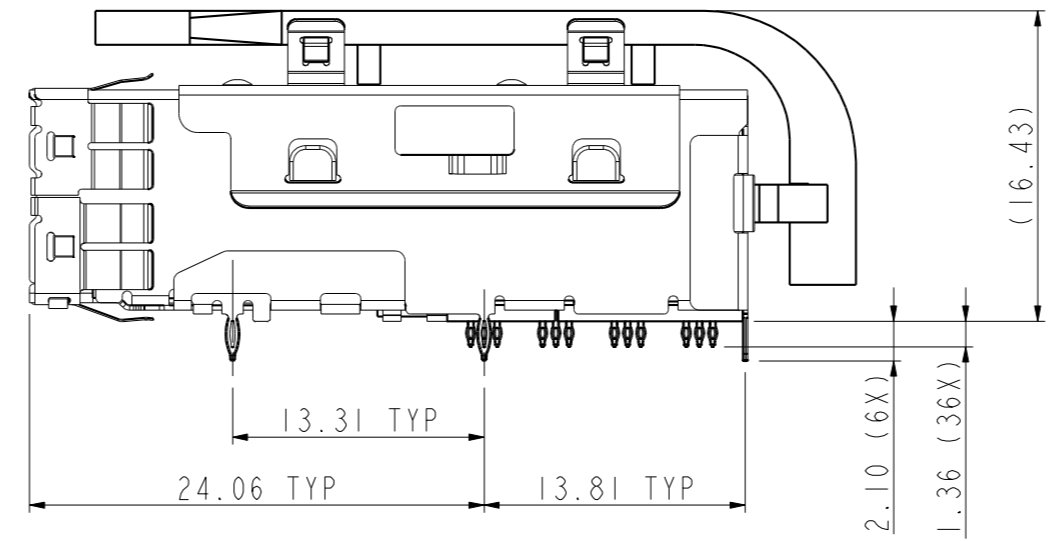
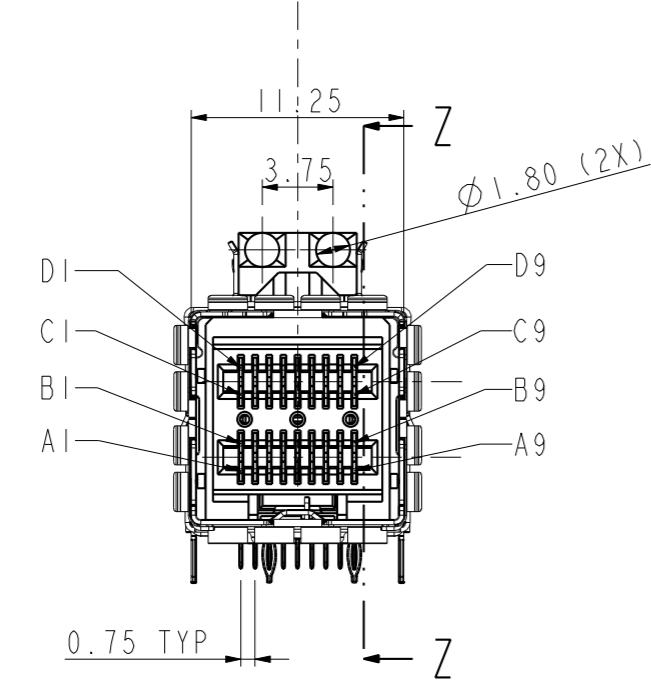
PRODUCT NUMBER	TAIL PLATING OPTION, SEE NOTE 2	IXI EXTERNAL ASSEMBLY	IXI LIGHT PIPE SUB-ASSEMBLY WITH MOUNTING CLIP	DESCRIPTION
10120960-101	OPTION 1	10112626-101	10121258-001LF	WITH SAME LENGTH LIGHT PIPES
10120960-101LF	OPTION 2	10112626-101LF		
10120960-102LF	OPTION 2	10112626-101LF	10121258-002LF	WITH DIFFERENT LENGTH LIGHT PIPES

NOTES:

- MATERIALS:**
CONNECTOR HOUSING: HIGH TEMPERATURE THERMOPLASTIC
GLASS FILLED, UL 94V-0
EMI CAGE: NICKEL SILVER ALLOY
EMI FINGERS: COPPER ALLOY
TERMINALS: COPPER ALLOY
LIGHT PIPE CLIP: STAINLESS STEEL
LIGHT PIPE: POLYCARBONATE
- FINISHES:**
EMI FINGERS: 0.50um MIN NICKEL
CONTACT AREA: 0.76um MIN GOLD OVER 2.54um MIN NICKEL
TAIL AREA:
OPTION 1: 0.76um - 1.52um TIN/LEAD (90/10) OVER 2.54um MIN NICKEL
OPTION 2: 0.76um - 1.52um TIN (LEAD FREE) OVER 2.54um MIN NICKEL
- PRODUCT SPECIFICATION:** GS-12-65I
- PRODUCT PACKING SPECIFICATION:** GS-14-1490
EXTERNAL ASSEMBLY WILL BE IN ONE BOX.
LIGHT PIPE SUB-ASSEMBLY WITH MOUNTING CLIP WILL BE IN ONE BOX.
BOTH BOXES WILL BE IN A MASTER CARTON.
- APPLICATION SPECIFICATION:** GS-20-0327
- MOUNTING HARDWARE:** M2X0.4 BUTTON HEAD SCREW
MOUNTING SCREW LENGTH: BOARD THICKNESS + 1.4mm MAX (0.9mm MIN).
2 REQUIRED PER ASSEMBLY.
MOUNTING HARDWARE NOT SUPPLIED.
- THIS CONNECTOR IS DESIGNED TO MEET THE REQUIREMENTS OF INDUSTRY SPECIFICATION SFF-8644.
- LIGHT PIPE SUB-ASSEMBLY WITH MOUNTING CLIP FINAL ASSEMBLY AFTER EXTERNAL ASSEMBLY APPLIED TO PCB.
- A \triangle B SYMBOL WILL BE NEXT TO ANY DIMENSION, VIEW, OR NOTE THAT HAS BEEN MODIFIED WITH THE CURRENT DRAWING REVISION.



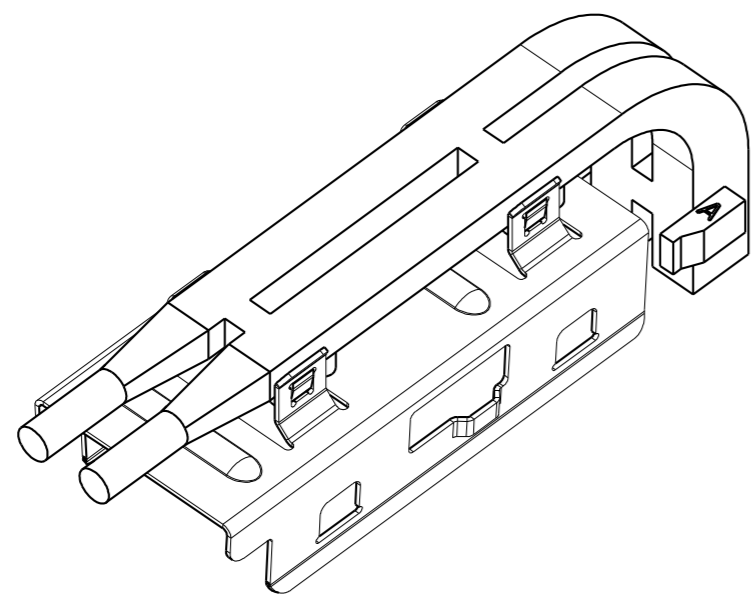
10120960-101 & 101LF SHOWN WITH SAME LENGTH LIGHT PIPES SCALE 2.500



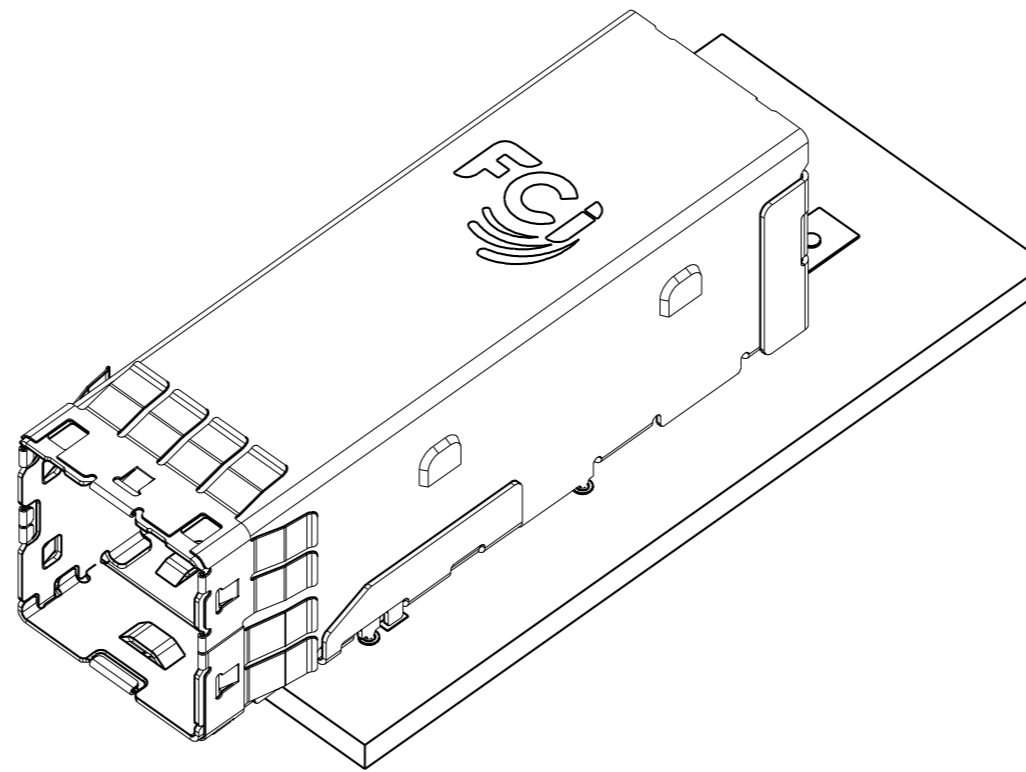
MATES WITH MINI-SAS HD ENDS IN:

10112041 SERIES (4X)
10117771 SERIES (4X)
10117946 SERIES (4X)
10117949 SERIES (4X)

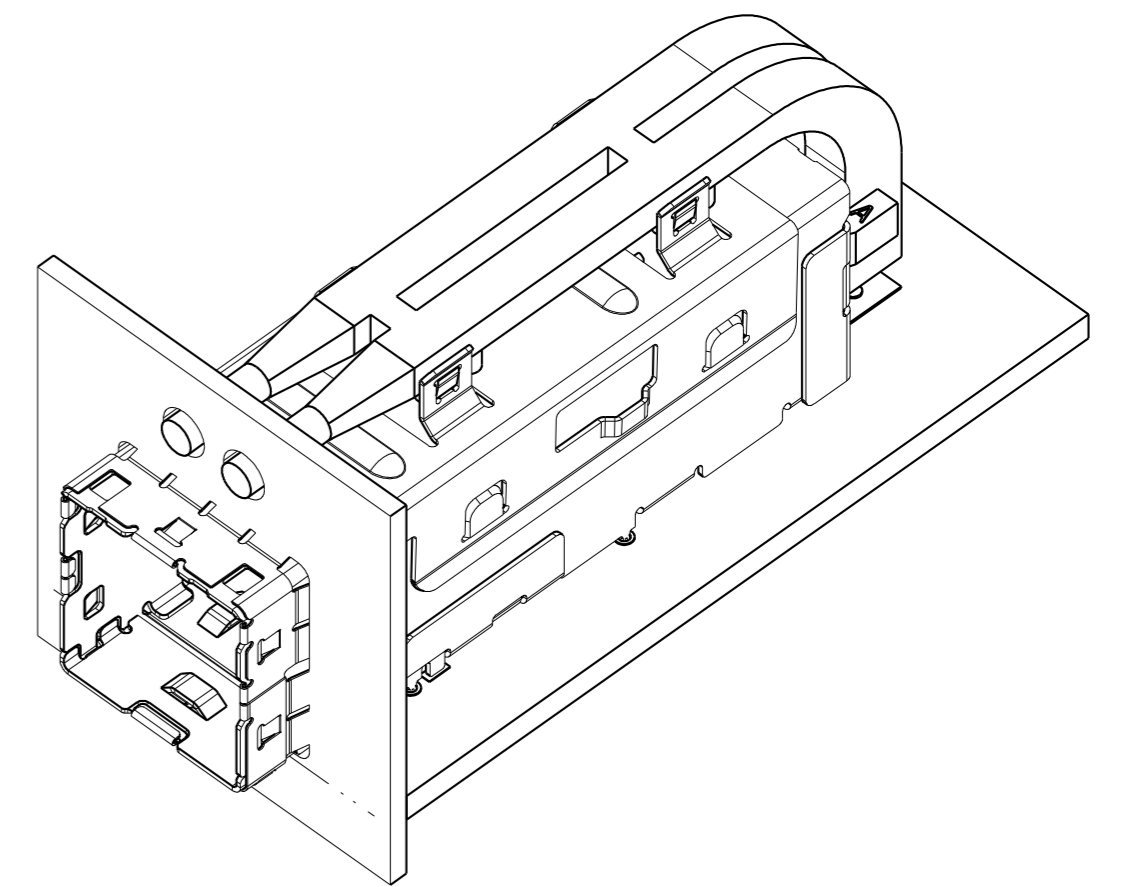
spec ref	-	dr	Qin De-Feng	2012/1/21	projection	MM	size	A2	scale	2.500	
tolerance std	ISO 406 ISO 1101	eng	Jerry Zhang	2018/01/15			ecn no	ELX-DG-28824-1			
surface	ISO 1302	chr	Stone Li	2018/01/15			rel level	Released			
		appr	Heaven Cen	2018/01/18	product family	MINI-SAS HD	cat. no.	10120960			
							Product - Customer Drw	sheet 1 of 7		rev	B



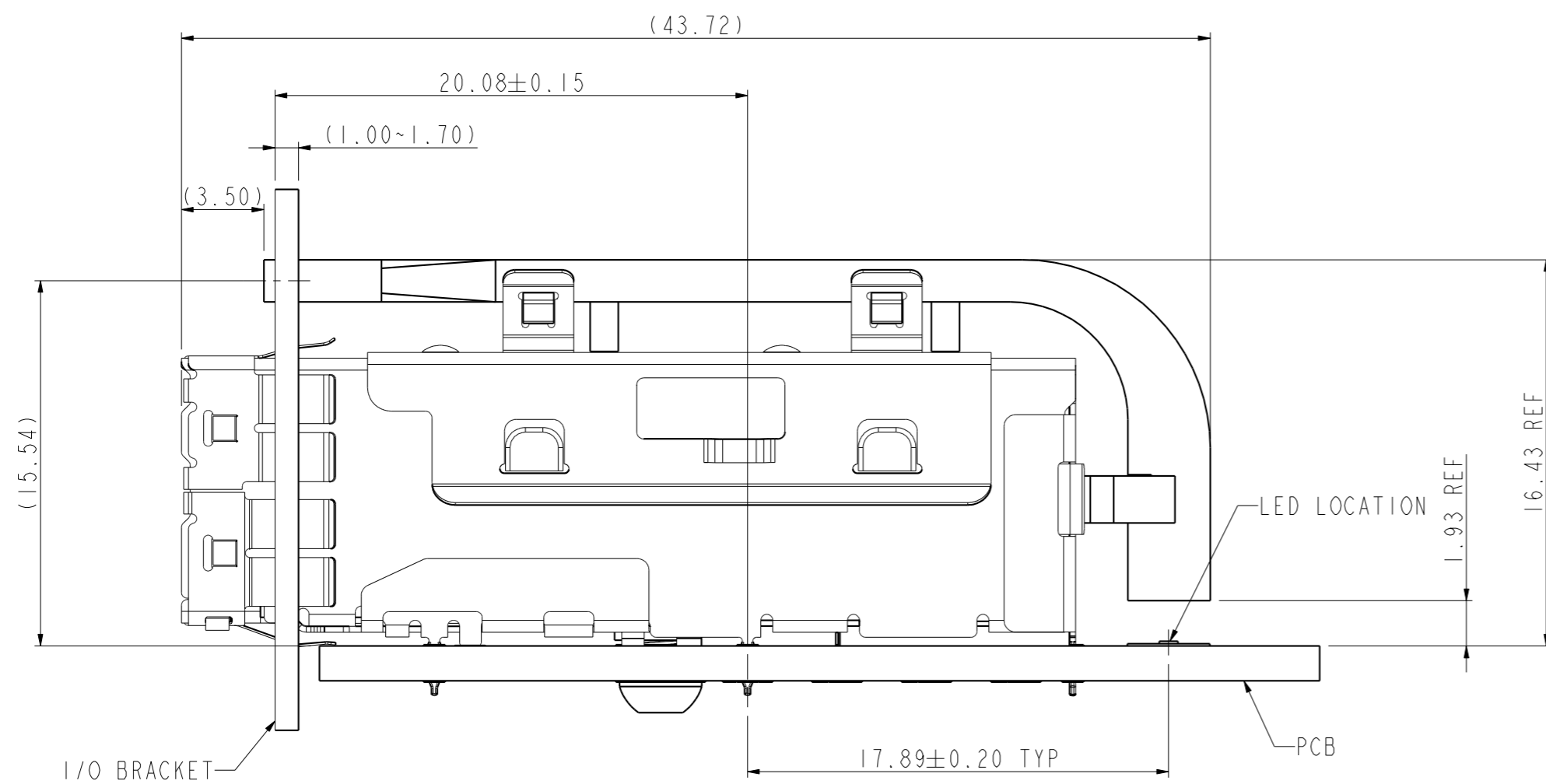
1X1 LIGHT PIPE SUB-ASSEMBLY
WITH MOUNTING CLIP
10121258-001LF SHOWN



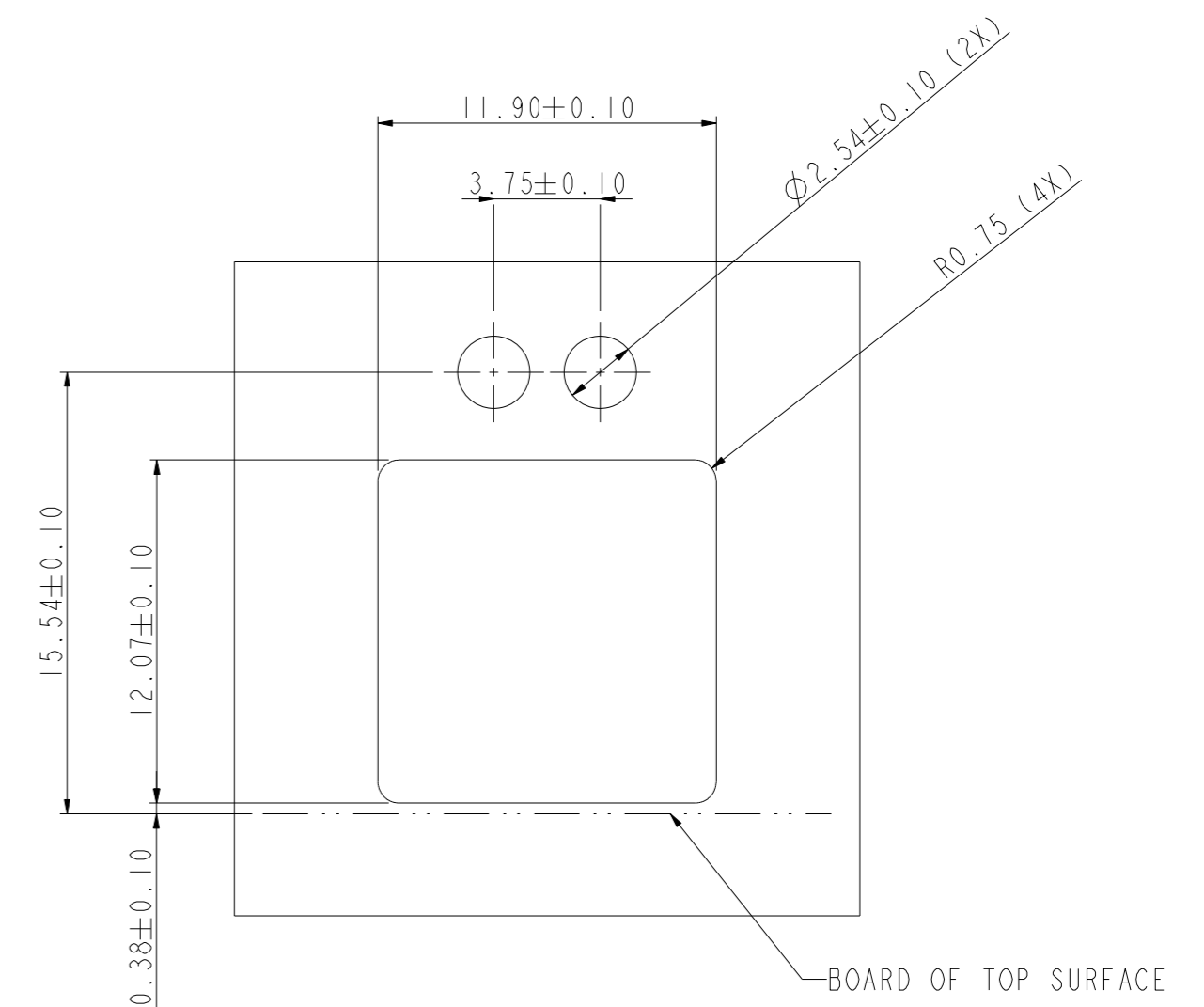
1X1 EXTERNAL ASSEMBLY
APPLIED TO PCB
10112626-101 & 101LF



1X1 LIGHT PIPE SUB-ASSEMBLY
APPLIED TO CONNECTOR
10120960-101 & 101LF SHOWN
(LIGHT PIPE SUB-ASSEMBLY
FINAL ASSEMBLY BY CUSTOMER)



10120960-101 & 101LF ASSEMBLED VIEW
WITH SAME LENGTH LIGHT PIPES
SCALE 4.000



I/O BRACKET CUT OUT
(BRACKET NOT SUPPLIED)
SCALE 4.000

Amphenol
FCi

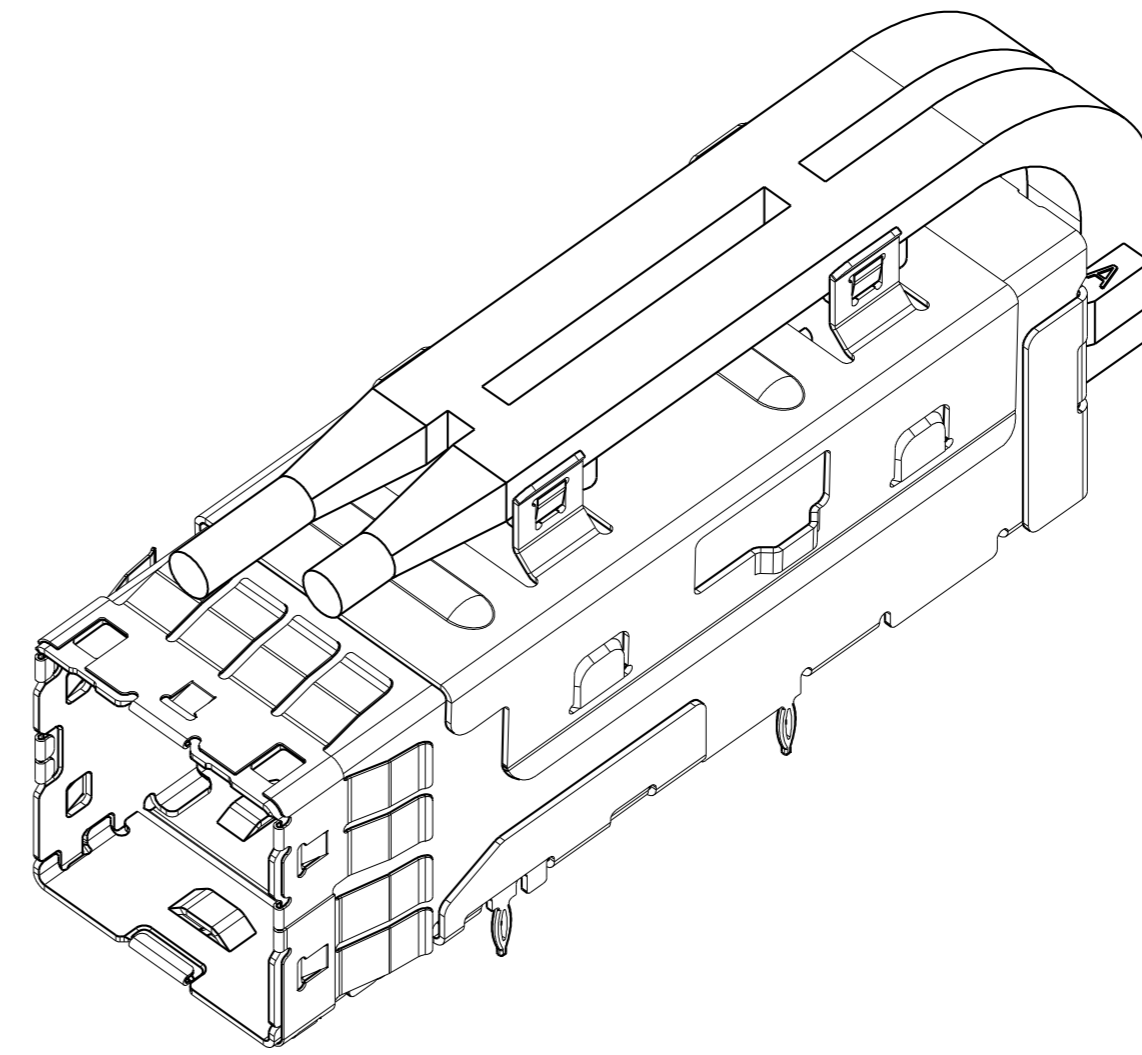
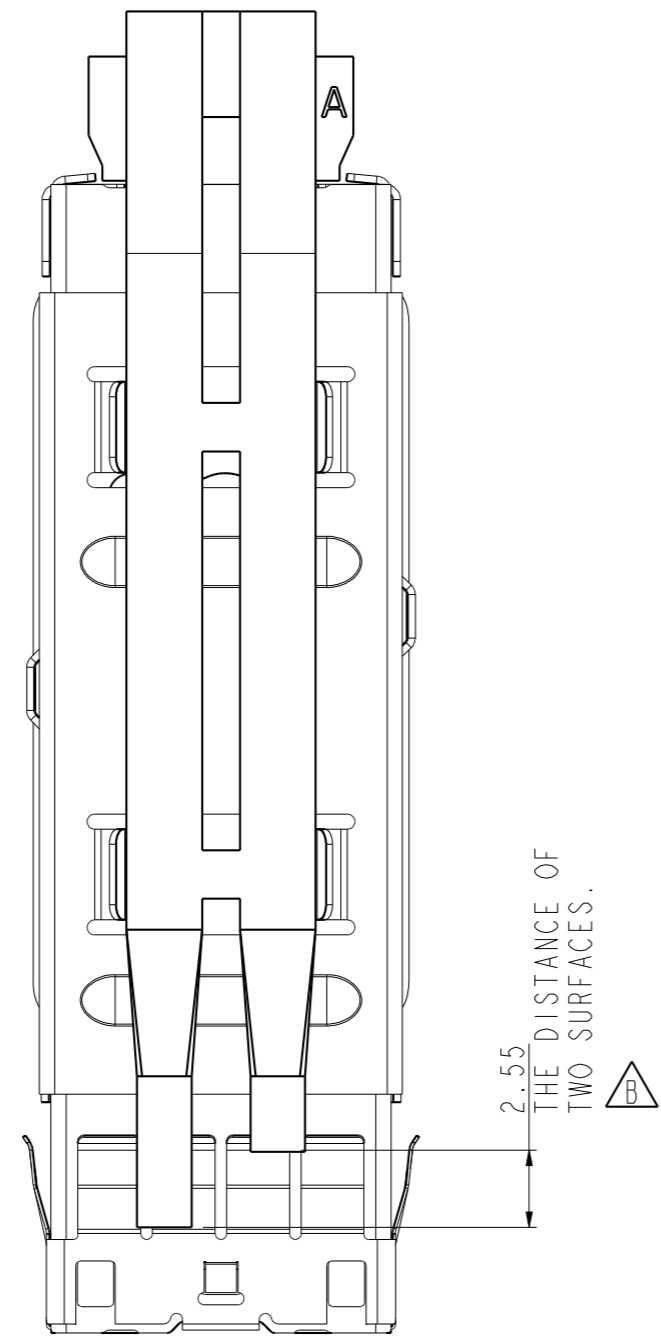
© 2016 AFci

spec ref	-	dr	Qin De-Feng	2012/11/21	projection	MM	size	A2	scale	4.000
tolerance std	ISO 406 ISO 1101	eng	Jerry Zhang	2018/01/15			ecn no	ELX-DG-28824-1		
TOLERANCES UNLESS OTHERWISE SPECIFIED		chr	Stone Li	2018/01/15			rel level	Released		
surface	linear	0.X	±0.5	appr	Heaven Cen	2018/01/18	product family	MINI-SAS HD	cat. no.	10120960
		0.XX	±0.3	Amphenol FCi		title		1x1 EXTERNAL ASSEMBLY WITH LIGHT PIPE	Product - Customer Drw	sheet 2 of 7
		0.XXX	±	MINI-SAS HD		dwg no		10120960	rev	B
	angular	0°	±3°	cat. no.		Product - Customer Drw		STATUS:Released		Printed: Jan 19, 2018

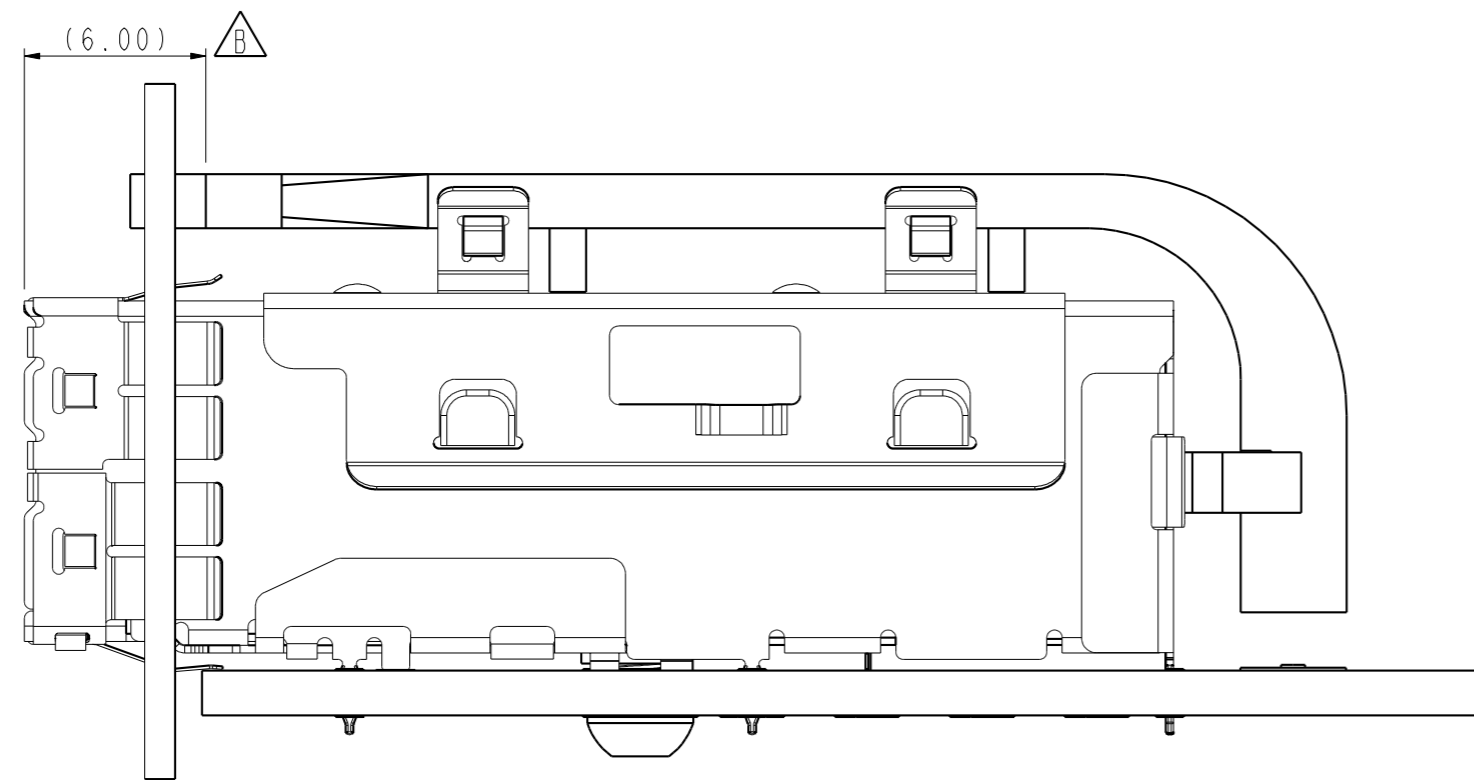
PDS: Rev :B

STATUS:Released

Printed: Jan 19, 2018



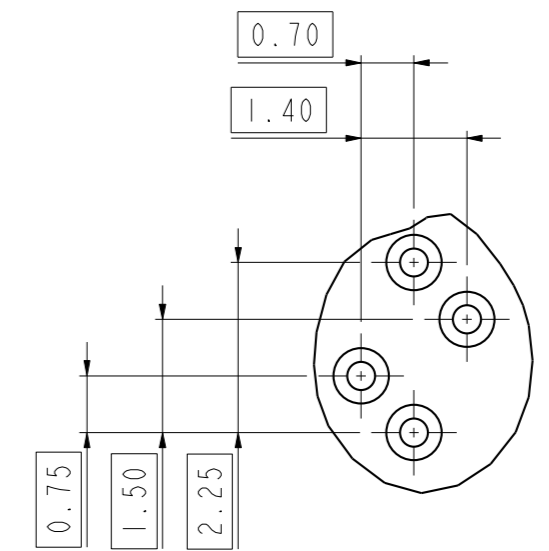
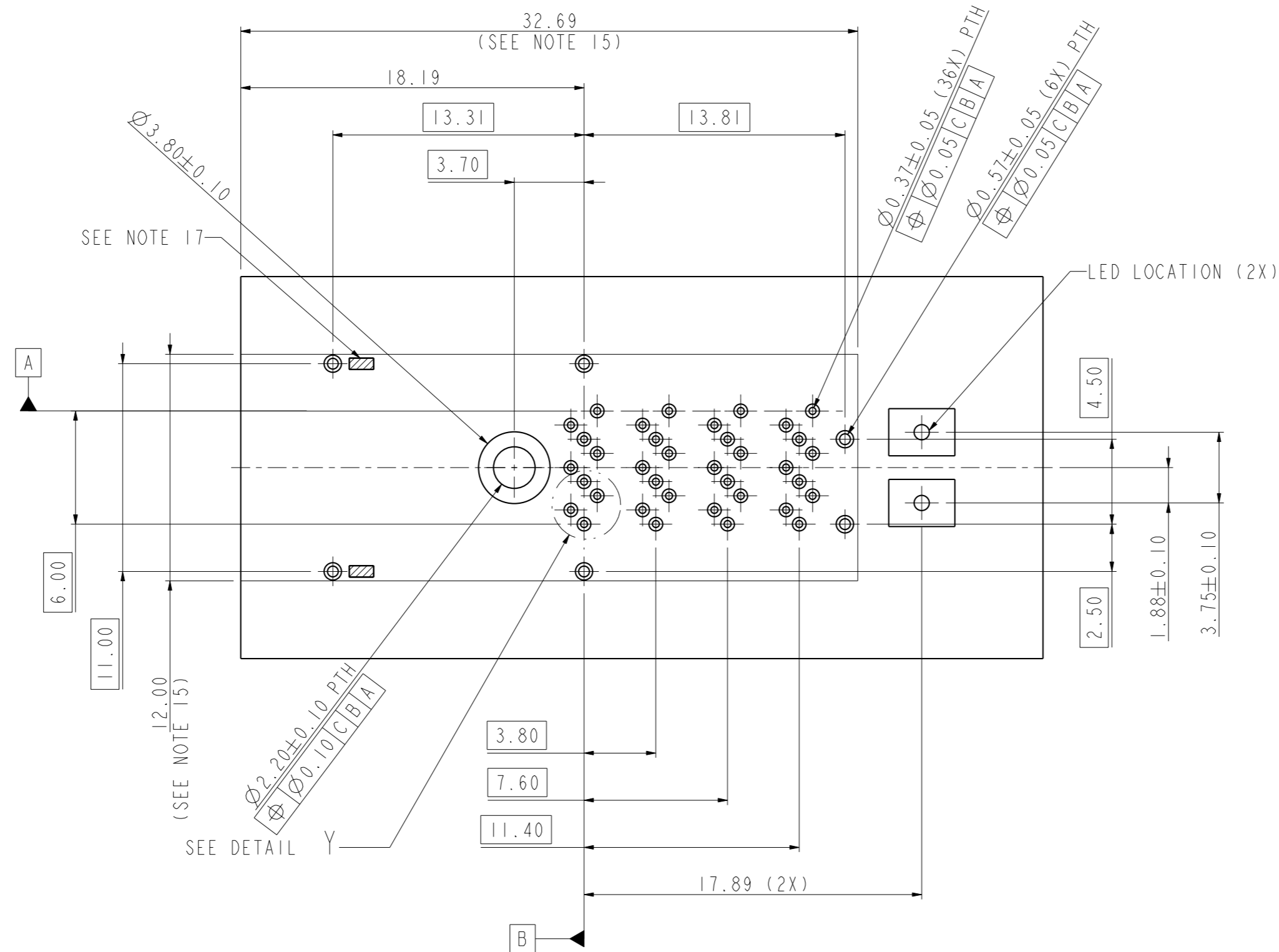
10120960-102LF SHOWN
WITH DIFFERENT LENGTH LIGHT PIPES
SCALE 4.000



10120960-102LF ASSEMBLED VIEW
WITH DIFFERENT LENGTH LIGHT PIPES
SCALE 4.000

ALL DIMENSIONS ARE SAME AS 10120960-101LF EXCEPT AS SHOWN.

spec ref	-	dr	Qin De-Feng	2012/11/21	projection	MM	size	A2	scale	4.000
tolerance std	ISO 406 ISO 1101	eng	Jerry Zhang	2018/01/15			ecn no	ELX-DG-28824-1		
TOLERANCES UNLESS OTHERWISE SPECIFIED		chr	Stone Li	2018/01/15			rel level	Released		
surface	ISO 1302	appr	Heaven Cen	2018/01/18	product family	-	rel level	Released		
		linear	0.X	±0.5		title 1x1 EXTERNAL ASSEMBLY WITH LIGHT PIPE MINI-SAS HD	dwg no 10120960	rev B		
			0.XX	±0.3						
		angular	0°	±3°						
					cat. no.	-	Product - Customer	Drw		sheet 3 of 7



DETAIL Y
SCALE 10.000

NOTES:

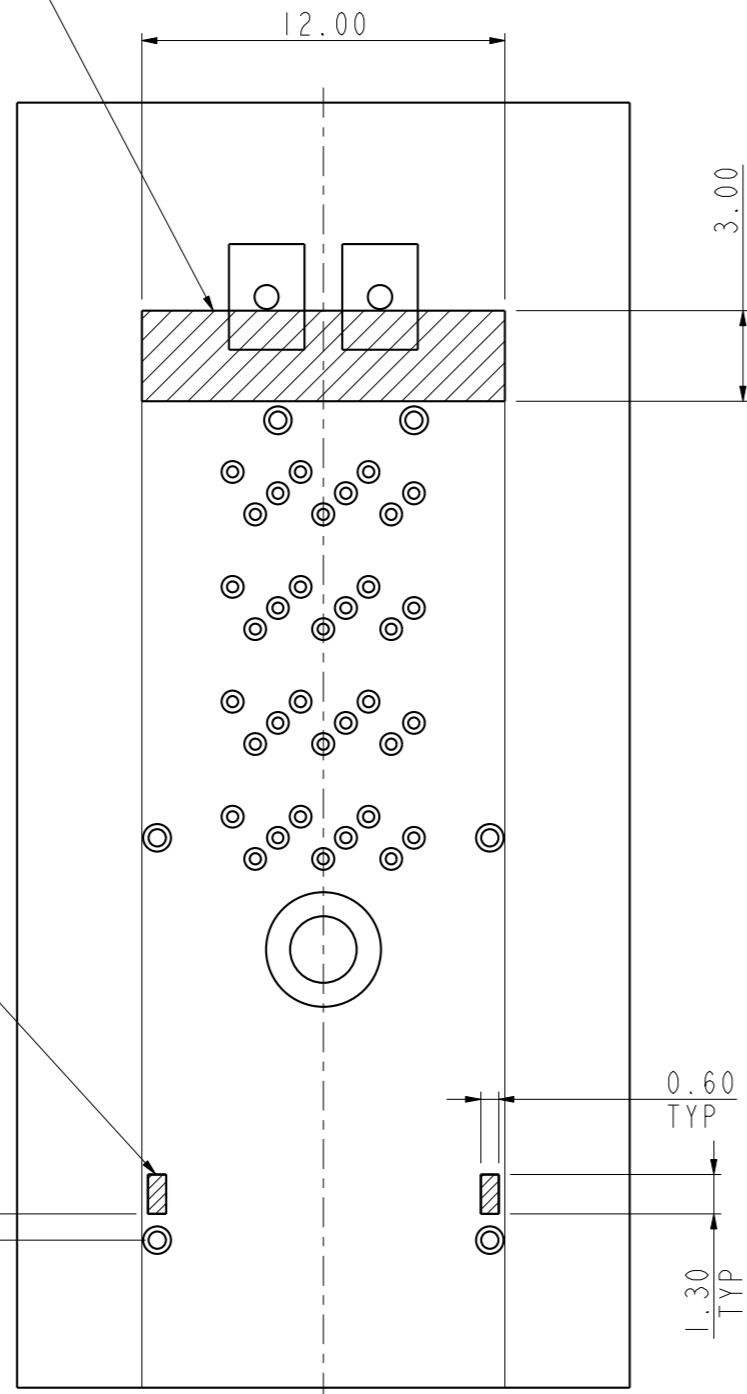
10. RECOMMENDED DRILL SIZE FOR $\varnothing 0.37$ FINISHED PTH IS $\varnothing 0.457$.
11. RECOMMENDED ANNULAR RING AROUND $\varnothing 0.37$ FINISHED PTH IS $\varnothing 0.73$.
12. RECOMMENDED DRILL SIZE FOR $\varnothing 0.57$ FINISHED PTH IS $\varnothing 0.68$.
13. RECOMMENDED ANNULAR RING AROUND $\varnothing 0.57$ FINISHED PTH IS $\varnothing 0.93$.
14. MINIMUM RECOMMENDED CENTER TO CENTER SPACING BETWEEN ADJACENT CONNECTORS: 47.00mm.
15. CONNECTOR KEEP OUT AREA.
16. MINIMUM PCB THICKNESS: 1.57mm.
17. CAGE STAND OFF AREA, NO TRACES ON SURFACE OF PCB IN THE AREAS.

RECOMMENDED BOARD LAYOUT
SEE SFF-8644 FOR DETAIL

spec ref	-	dr	Qin De-Feng	2012/11/21	projection	MM	size	A2	scale	4.000
tolerance std	ISO 406 ISO 1101	eng	Jerry Zhang	2018/01/15			ecn no	ELX-DG-28824-1		
TOLERANCES UNLESS OTHERWISE SPECIFIED		chr	Stone Li	2018/01/15			rel level	Released		
surface	linear	appr	Heaven Cen	2018/01/18	product family	-	rel level	Released		
ISO 1302	angular			Amphenol FCI MINI-SAS HD	title Ix1 EXTERNAL ASSEMBLY WITH LIGHT PIPE	dwg no 10120960	rev B	Product - Customer Drw		
				cat. no.			sheet 4 of 7			

RECOMMENDED KEEP OUT AREAS

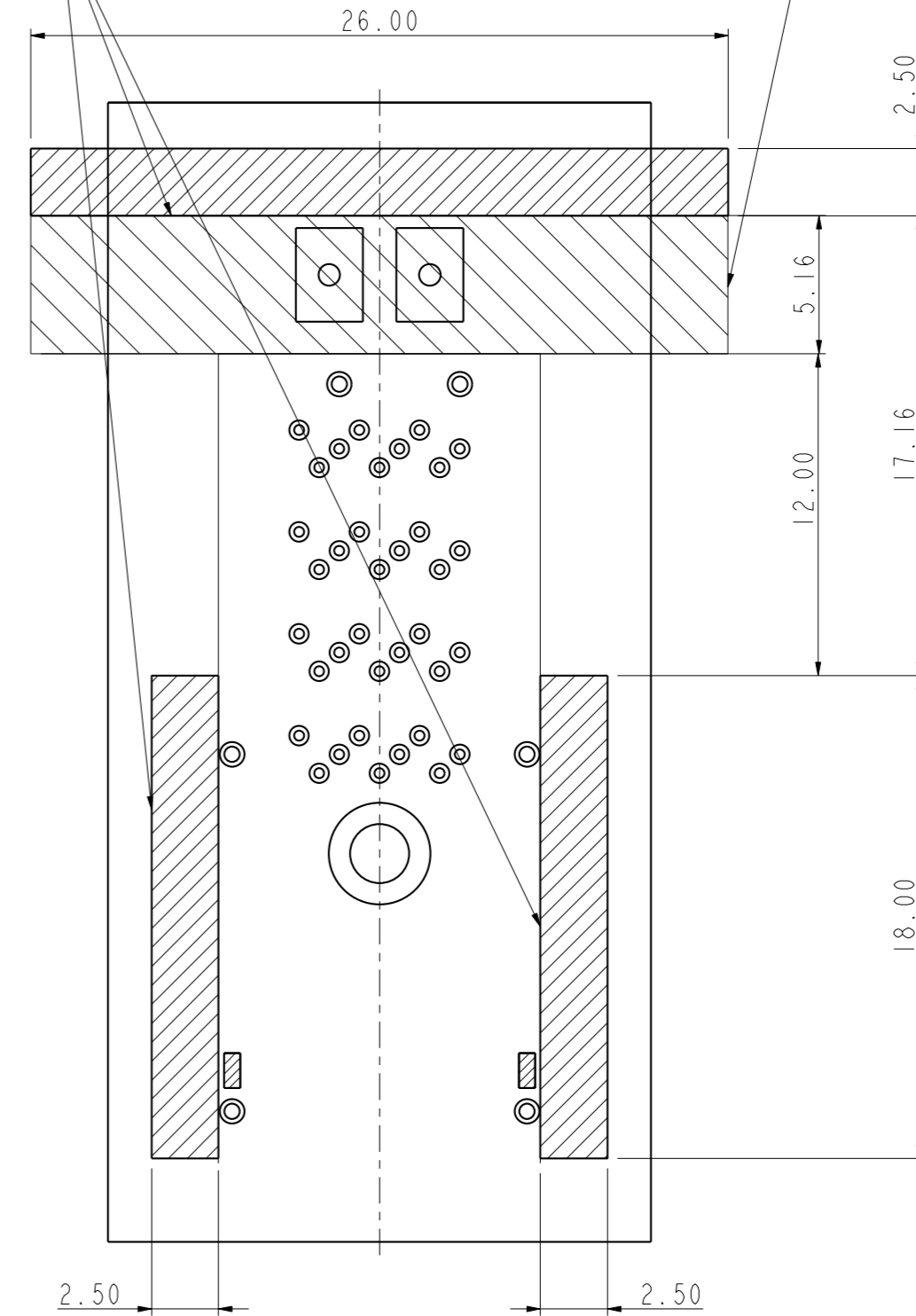
RECOMMENDED INSERTION TOOL
KEEP OUT AREA
NO COMPONENTS IN THIS AREA
MORE THAN 7.50mm TALL



CAGE STAND OFF KEEP OUT AREA

RECOMMENDED EXTRACTION TOOL
KEEP OUT AREA
NO COMPONENTS IN THESE AREAS

RECOMMENDED EXTRACTION TOOL
KEEP OUT AREA
NO COMPONENTS IN THESE AREAS



Amphenol
FCi

© 2016 AFCI

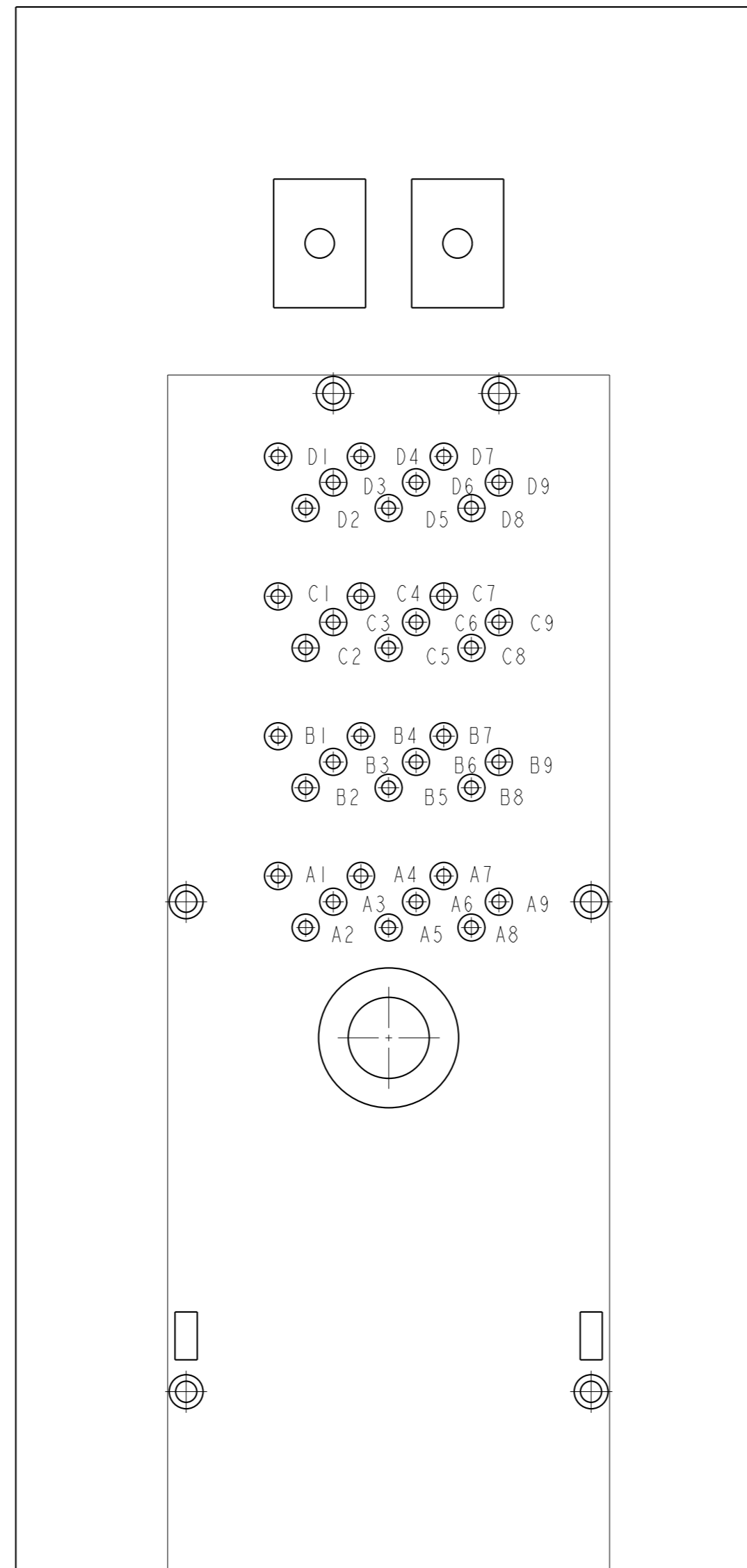
spec ref	-	dr	Qin De-Feng	2012/1/21	projection	MM	size	A2	scale	4.000	
tolerance std	ISO 406 ISO 1101	eng	Jerry Zhang	2018/01/15			ecn no	ELX-DG-28824-1			
TOLERANCES UNLESS OTHERWISE SPECIFIED		chr	Stone Li	2018/01/15			rel level	Released			
surface	ISO 1302	appr	Heaven Cen	2018/01/18	product family	-	rel level	Released			
		linear	0.X	±0.5	Amphenol FCi		title	1x1 EXTERNAL ASSEMBLY WITH LIGHT PIPE		rev	B
			0.XX	±0.3	MINI-SAS HD		cat. no.	-	Product - Customer Drw	sheet 5 of 7	
		angular	0°	±3°							

PDS: Rev :B

STATUS:Released

Printed: Jan 19, 2018

PIN OUT DESIGNATIONS



spec ref	-	dr	Qin De-Feng	2012/1/21	projection	MM	size	A2	scale	4.000	
tolerance std	ISO 406 ISO 1101	eng	Jerry Zhang	2018/01/15			ecn no	ELX-DG-28824-1			
TOLERANCES UNLESS OTHERWISE SPECIFIED		chr	Stone Li	2018/01/15			rel level	Released			
surface	ISO 1302	appr	Heaven Cen	2018/01/18	product family	-	cat. no.	10120960			
					Amphenol FCI	title	1x1 EXTERNAL ASSEMBLY WITH LIGHT PIPE			rev	B
							cat. no.	Product - Customer	Drw		sheet 6 of 7

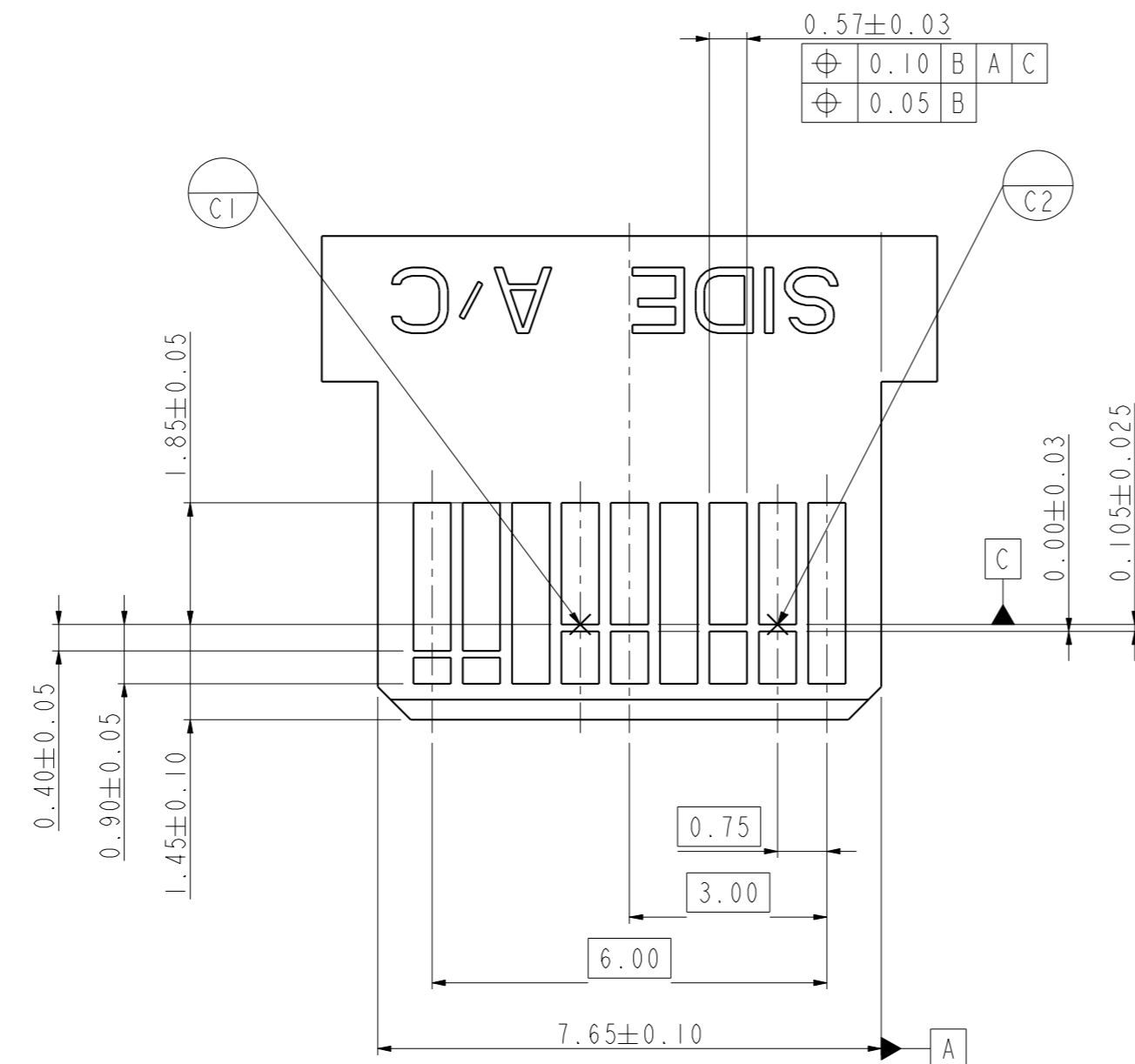
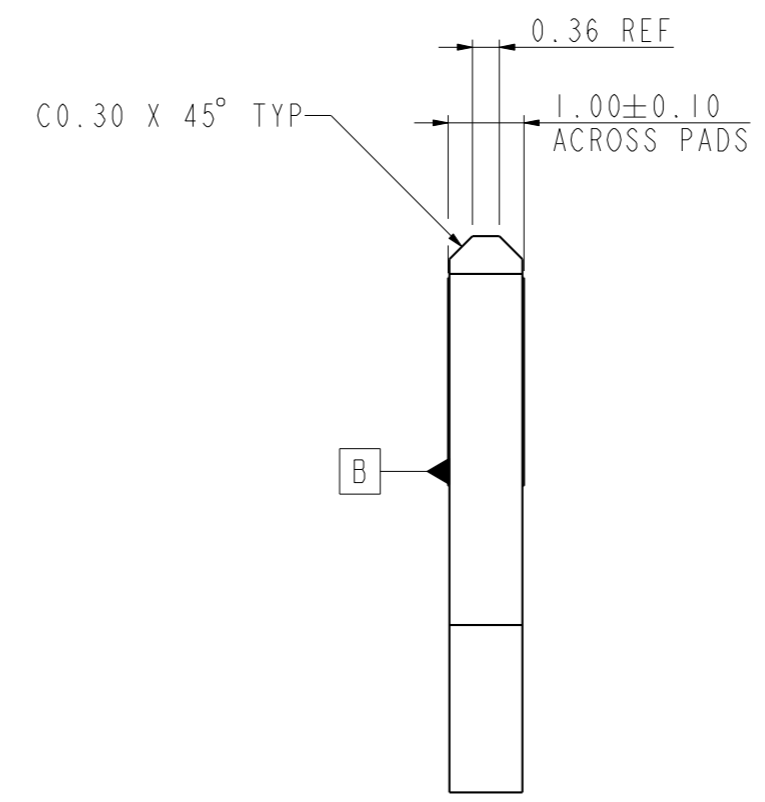
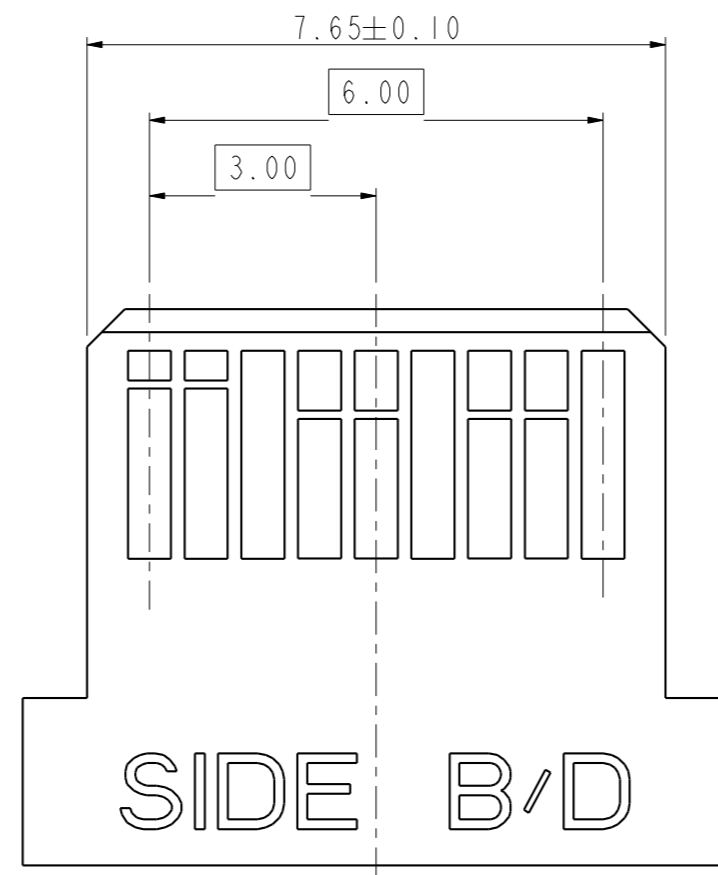
PDS: Rev :B

STATUS:Released

Printed: Jan 19, 2018

Amphenol FCI

© 2016 AFCI



RECOMMENDED PLUG PADDLE CARD
SEE SFF-8644 FOR DETAIL

- NOTES:
- 18. 0.05 MINIMUM KEEP OUT FOR SOLDER MASK AROUND ALL PADS.
 - 19. DATUM C TARGETS ARE DEFINED BY THE RESPECTIVE PAD CENTER LINES AND THE LEADING EDGE OF THE TARGET PADS.

spec ref	-	dr	Qin De-Feng	2012/1/21	projection	MM	size	A2	scale	4.000
tolerance std	ISO 406 ISO 1101	eng	Jerry Zhang	2018/01/15			ecn no	ELX-DG-28824-1		
TOLERANCES UNLESS OTHERWISE SPECIFIED		chr	Stone Li	2018/01/15			rel level	Released		
surface	ISO 1302	appr	Heaven Cen	2018/01/18	product family	-	cat. no.	10120960		
linear	0.X ±0.5 0.XX ±0.3 0.XXX ±-	Amphenol FCI		title		1x1 EXTERNAL ASSEMBLY WITH LIGHT PIPE MINI-SAS HD		rev	B	
angular	0° ±3°	PDS: Rev :B		STATUS: Released		Product - Customer Drw		Printed: Jan 19, 2018		sheet 7 of 7