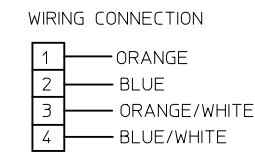
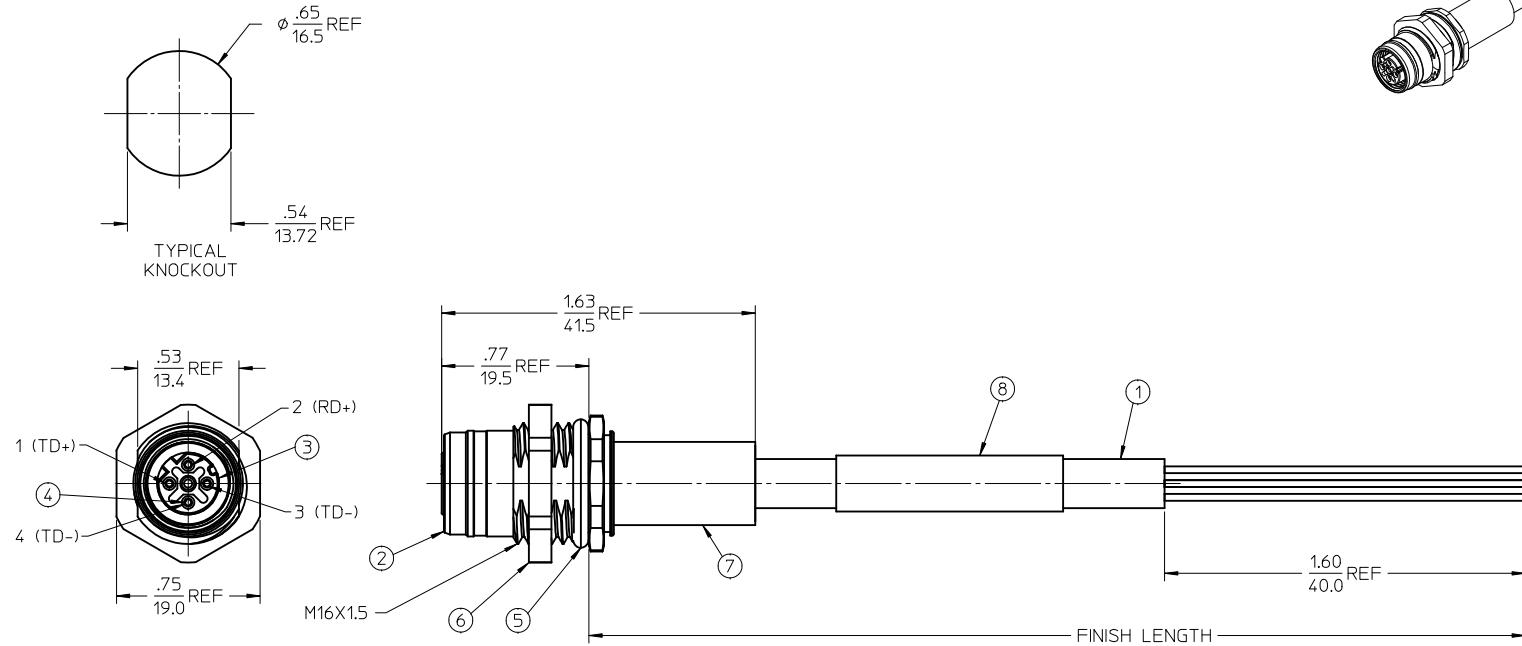
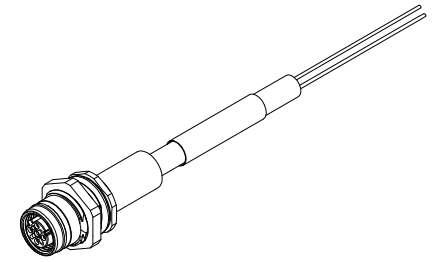


MATERIAL NUMBER	ENGINEERING NUMBER	FINISHED LENGTH
1300540012	ERWAAJ4002M002	7.87" +.75"-0 [2M +19.0-0]
1300540013	ERWAAJ4002M020	76.56" +3.50"-0 [2M +89.0-0]



- NOTES:
- 1) MATERIAL: SEE TABLE
 - 2) FINISH:SEE TABLE
 - 3) ELECTRICAL SPECIFICATIONS:
VOTAGE: 125V
CURRNT RATING: 1.5 AMPS
 - 4) ENVIRONMENTAL:
TEMPERATURE RANGE: -25°C TO 75°C
IP67
 - 5) ASSEMBLY IS RoHS COMPLIANT BY EXCEPTION

ITEM	COMPONENT	MATERIAL	FINISH
8	LABEL	MYLAR	BLACK/YELLOW
7	SLEEVE	BRASS	NICKEL PLATED
6	PANEL NUT	Cu ALLOY	NICKEL PLATED
5	O-RING	BUNA-N	BLACK
4	SOCKET CONTACT	Cu ALLOY	GOLD PLATED
3	INSERT 4P	NYLON	BLACK
2	RECEPT. SHELL	BRASS	NICKEL PLATED
1	CABLE	ETHERNET CAT 5e(PVC)	JACKET:TEAL

CREATE DOC EC NO: WNAZ010-0467 DRWNR:RUPERT 2010/01/29 CHKDR: WOODMAN 2010/01/29 APPR: JFURPHY 2010/01/29	QUALITY SYMBOLS 	GENERAL TOLERANCES (UNLESS SPECIFIED)		DIMENSION STYLE IN/MM	SCALE 1:1	DESIGN UNITS INCH	THIRD ANGLE PROJECTION		
		4 PLACES ± --- ± --- 3 PLACES ± --- ± --- 2 PLACES ± --- ± --- 1 PLACE ± --- ± ---	mm INCH ± --- ± --- ± --- ± --- ± --- ± --- ± --- ± ---	DRAWN BY BW 2009/07/27	DATE 2009/07/27	M12 D-CODE CORDSET RECEPTACLE			
		ANGULAR ±1/2°		CHECKED BY VO 2009/07/28	DATE 2009/07/28	MOLEX INCORPORATED			
		DRAFT WHERE APPLICABLE MUST REMAIN WITHIN DIMENSIONS		APPROVED BY JM 2009/07/28	DATE 2009/07/28	MATERIAL NO. SEE CHART	DOCUMENT NO. SD-130054-001	SHEET NO. 1 OF 1	

THIS DRAWING CONTAINS INFORMATION THAT IS PROPRIETARY TO MOLEX INCORPORATED AND SHOULD NOT BE USED WITHOUT WRITTEN PERMISSION