



On when
it counts.



Application

- Main power indication
- Remote power indication
- Status indication
- Maintenance and warning indication
- Instrumentation

...and many more!

Certifications & Ratings

- RoHS compliant

Features & Benefits

- Low power consumption - uses up to 90% less energy than an incandescent indicator
- No heat generated
- Long life, lasting up to 100K hours
- Colors include red, green, orange, blue, and white
- Front panel mounting
- LED can be recessed or protrude from housing

Mechanical Information:

Mounting hole size:	0.244" (6.2mm)
Max panel thickness:	0.138" (3.5mm)
Mounting torque:	0.362 lbs/ft (5 kg/cm)

Electrical Specifications:

Operating voltage:	2 (red, orange) & 3.3 (green, blue) VDC (current limiting resistor required on both voltages)
Operating temperature:	-22°F to +185°F (-30°C to +85°C)
Storage temperature:	-40°F to +212°F (-40°C to +100°C)
Electrical connection:	Through leads

Construction:

Housing:	Chrome plated brass
-----------------	---------------------

All values typical unless otherwise stated



Panel Mount Indicator Dimensions

Figure 1

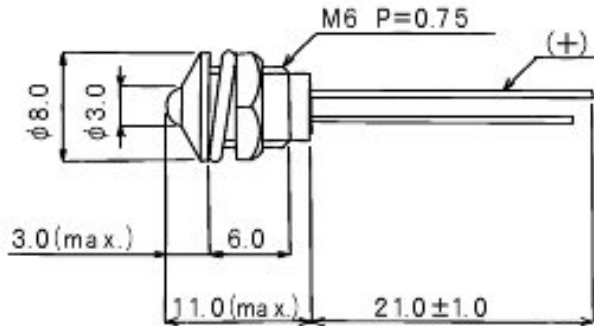
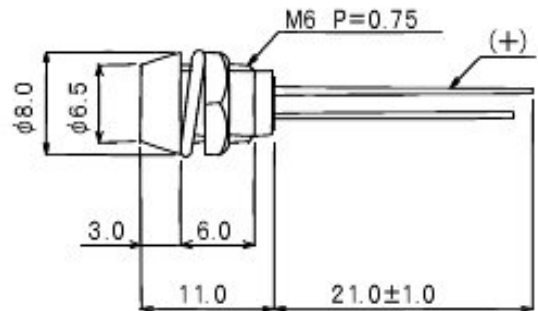


Figure 2



Dimensions are in mm

Part Number	Color	Voltage (VDC)	Current (mA)	Typical Intensity (mcd)	LED Position	Figure
676-1111-110F	Red	2	20	7720	Protruding	1
676-1211-110F	Green	3.3	20	10100	Protruding	1
676-1311-110F	Orange	2	20	7810	Protruding	1
676-1411-110F	Blue	3.3	20	2980	Protruding	1
676-1511-110F	White	3.3	20	6150	Protruding	1
676-2111-110F	Red	2	20	5650	Recessed	2
676-2211-110F	Green	3.3	20	11520	Recessed	2
676-2311-110F	Orange	2	20	7810	Recessed	2
676-2411-110F	Blue	3.3	20	3810	Recessed	2
676-2511-110F	White	3.3	20	6220	Recessed	2

Dialight reserves the right to make changes at any time in order to supply the best product possible. The most current version of this document will always be available at: www.dialight.com/Assets/Brochures_And_Catalogs/Illumination/MDEL676CR.pdf

Warranty Statement: EXCEPT FOR THE WARRANTY EXPRESSLY PROVIDED FOR [HEREIN/ABOVE/BELOW], DIALIGHT DISCLAIMS ANY AND ALL OTHER WARRANTIES, EXPRESS OR IMPLIED, INCLUDING, WITHOUT LIMITATION, ANY WARRANTIES OF MERCHANTABILITY, FITNESS FOR A PARTICULAR PURPOSE, TITLE, AND NONINFRINGEMENT.