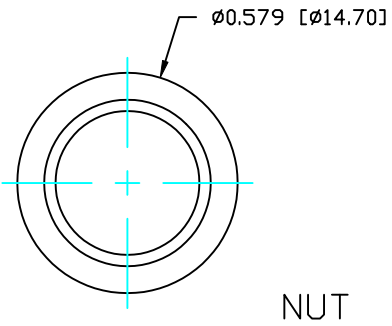
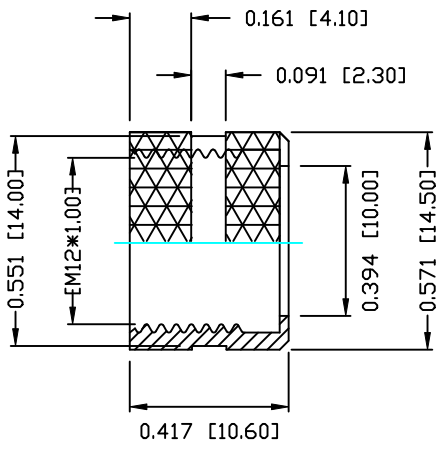


DESCRIPTION: M12 FEMALE - CABLE MOUNT - SOLDER CUP - 5 POS.



NUT

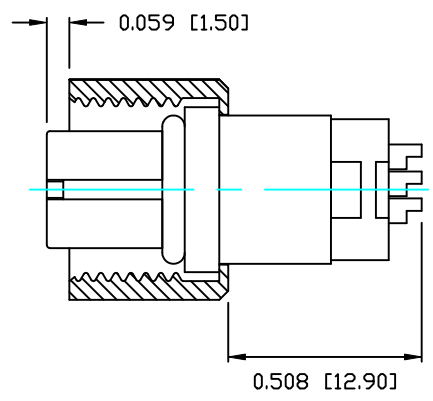
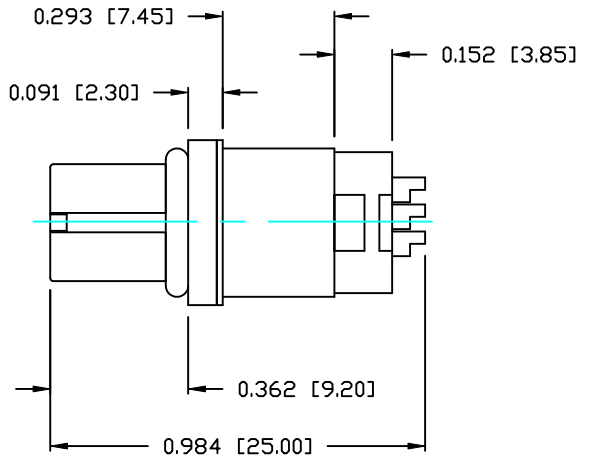
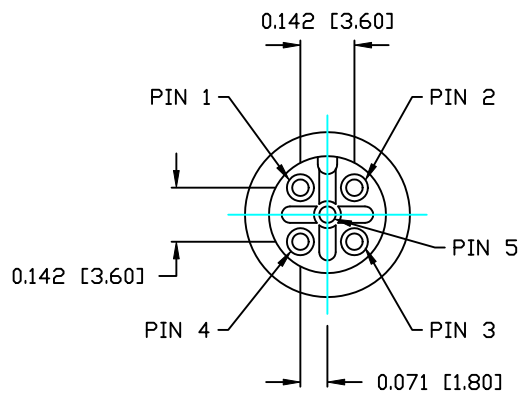


NOTE:

| | |
|------------------------|---|
| MATERIAL | |
| HOUSING: | PBT UL94V-0, BLACK |
| CONTACT: | BRASS |
| NUT: | BRASS |
| SHELL: | BRASS |
| O-RING: | EDPM |
| FINISH | |
| CONTACT: | GOLD PLATED OVER 50 μ NICKEL NICKEL PLATED NICKEL PLATED |
| ELECTRICAL | |
| RATED CURRENT: | 5A |
| RATED VOLTAGE: | 125V |
| INSULATION RESISTANCE: | 100 mOhms MIN. |
| CONTACT RESISTANCE: | 10 MOhms MAX. |
| WATER PROOF: | IP67 |
| ENVIRONMENT | |
| OPERATION TEMPERATURE: | -40°C TO +85°C |
| WIRE GAUGE: | 24-28 AWG |

858-005-203RLSY

1 = GOLD FLASH
4 = 10 μ " GOLD



RoHS COMPLIANT

DO NOT SCALE FROM DRAWING



THESE DRAWINGS AND SPECIFICATIONS ARE THE PROPERTY OF NorComp AND SHALL NOT BE REPRODUCED, COPIED OR USED AS THE BASIS FOR THE MANUFACTURE OR SALE OF APPARATUS WITHOUT WRITTEN PERMISSION.

| | | | |
|----------|-----------|-------|----------|
| DRAWN: | M. SIGMON | DATE: | 03-07-16 |
| CHECKED: | | DATE: | |

NorComp

| | | | | | | | |
|---------|-----------------|-------|---|----|---|-----|---|
| SCALE: | N.T.S. | SHEET | 1 | OF | 1 | REV | 1 |
| DWG NO. | 858-005-203RLSY | | | | | | |