

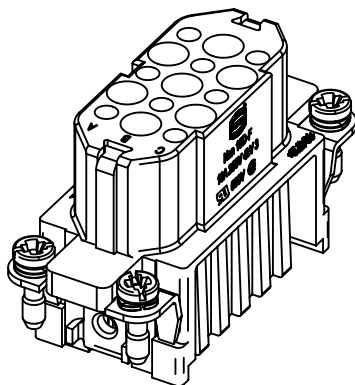
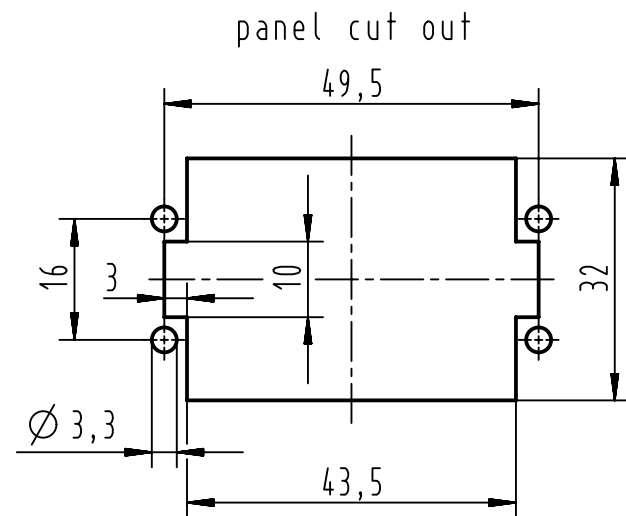
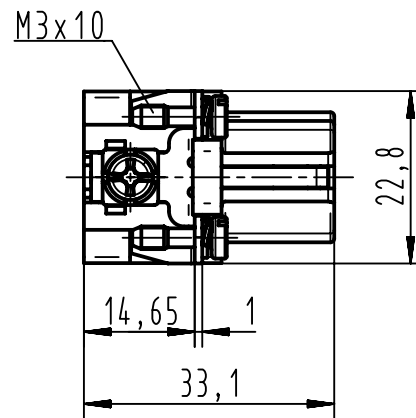
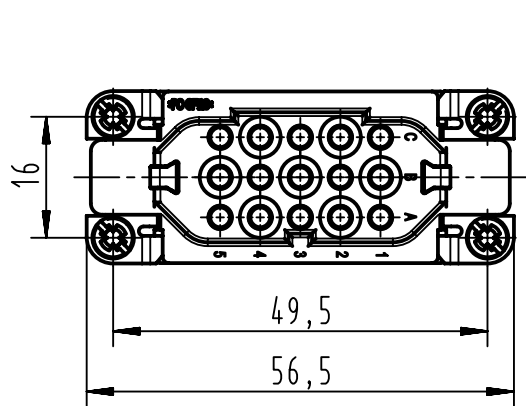
1 2 3 4 5 6


A

B

C

D



	All rights reserved	Created by	Inspected by	Standardisation	Date	State	
	Department EL PD - DE	GRUBES	BERGHORN	SCHMIDTM	2012-08-23	Final Release	
HARTING Electric GmbH & Co. KG		Title Han D 15 Pos. F Insert Crimp				Doc-Key / ECM-Nr. 100220092/UGD/003/C	
D-32339 Espelkamp		Type TB	Number 09 21 015 3101			Rev. C	Page 1/1