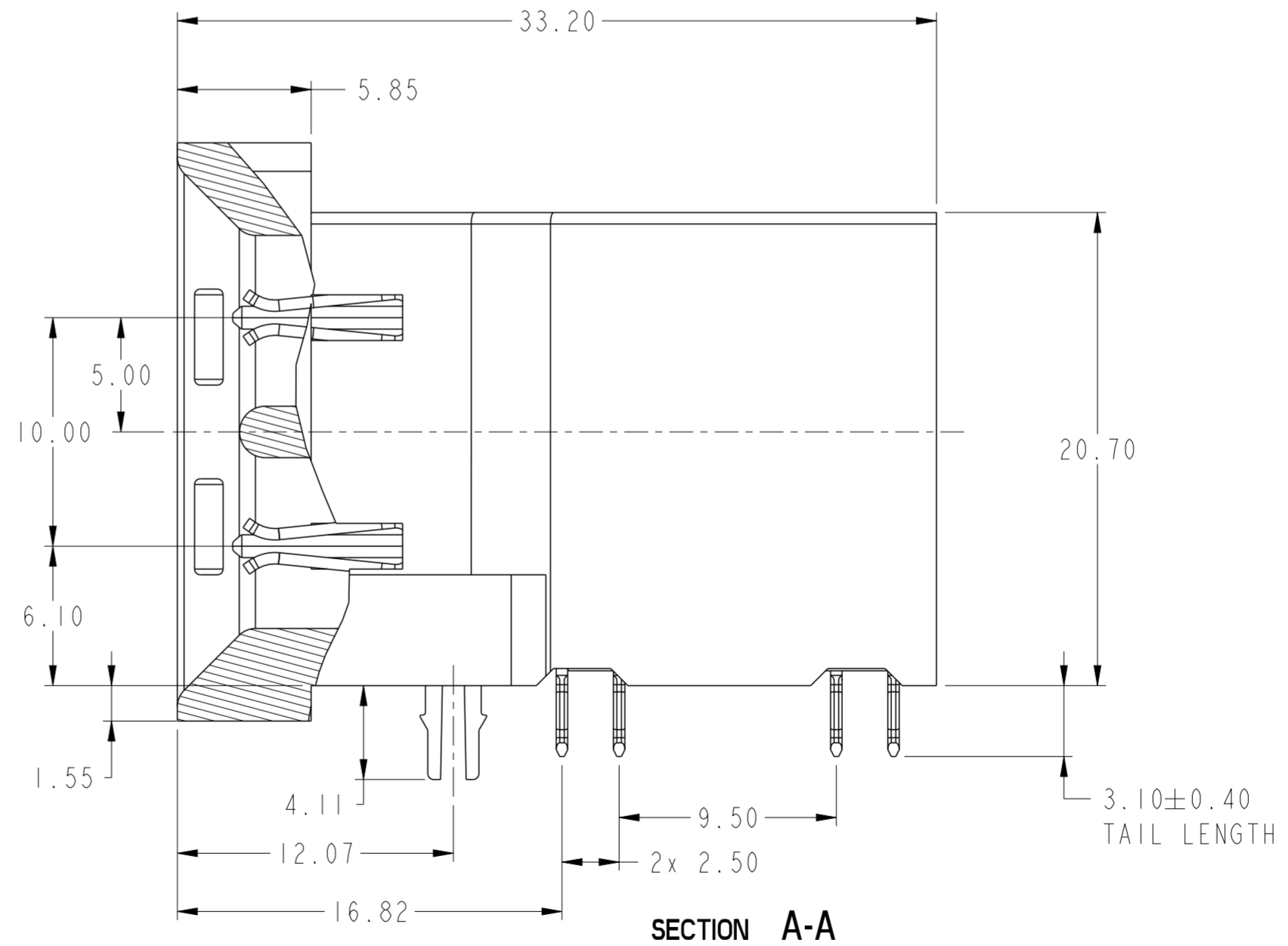
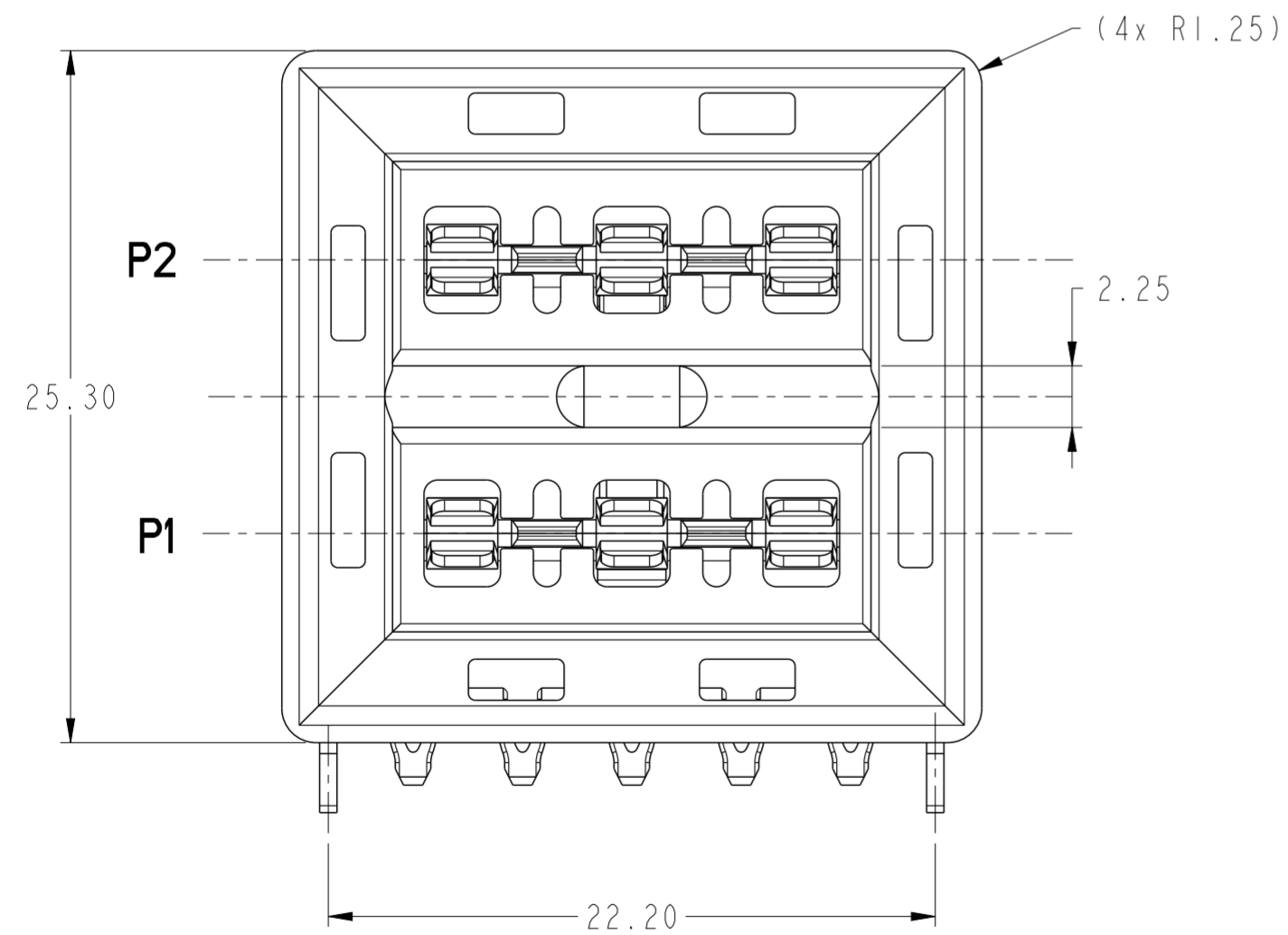
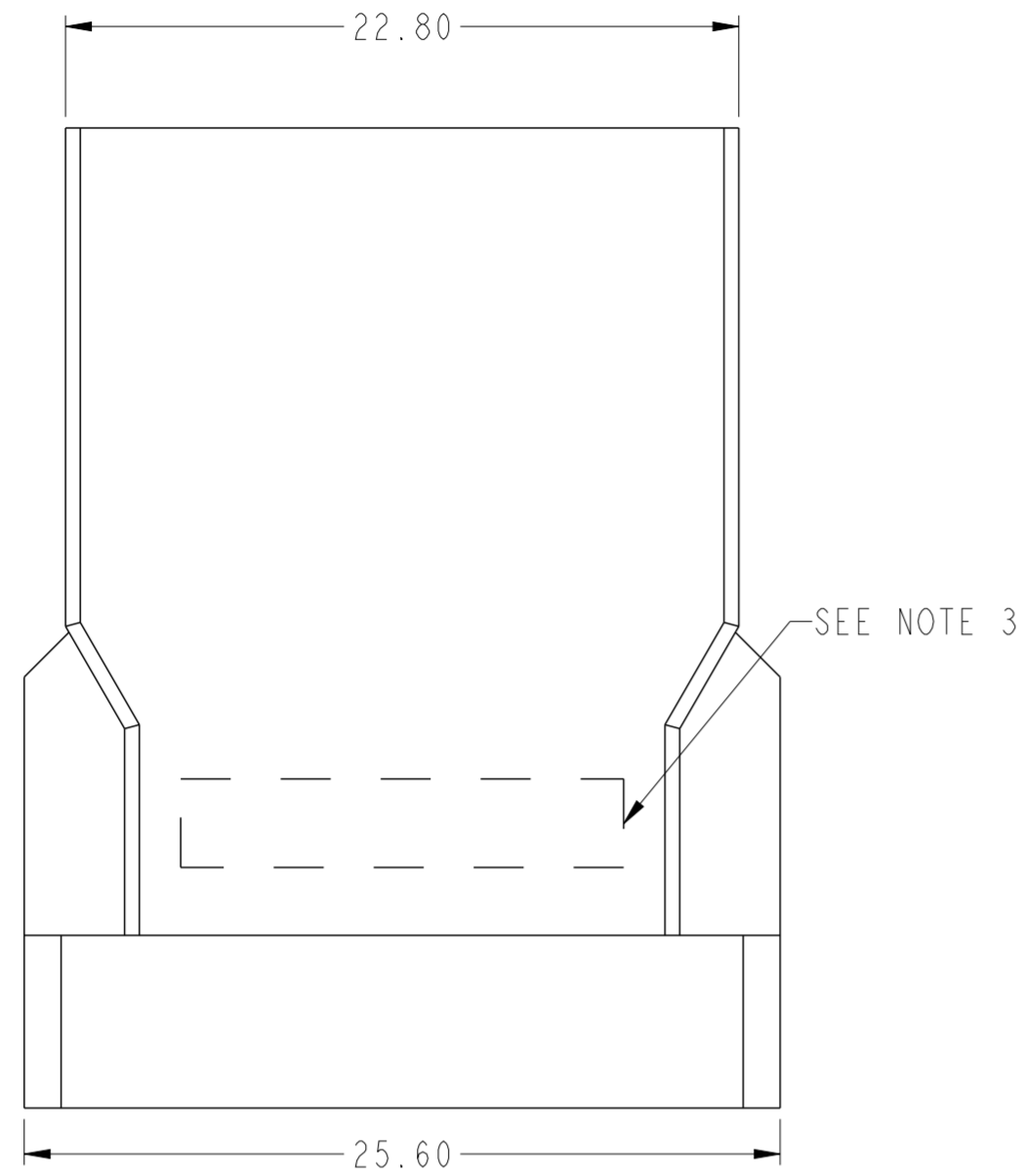


1	2	3	4	5	6	7	8
PART NO		DESCRIPTION					
10132640-001LF		PCB METAL CLIP HOLD DOWN OPTION					



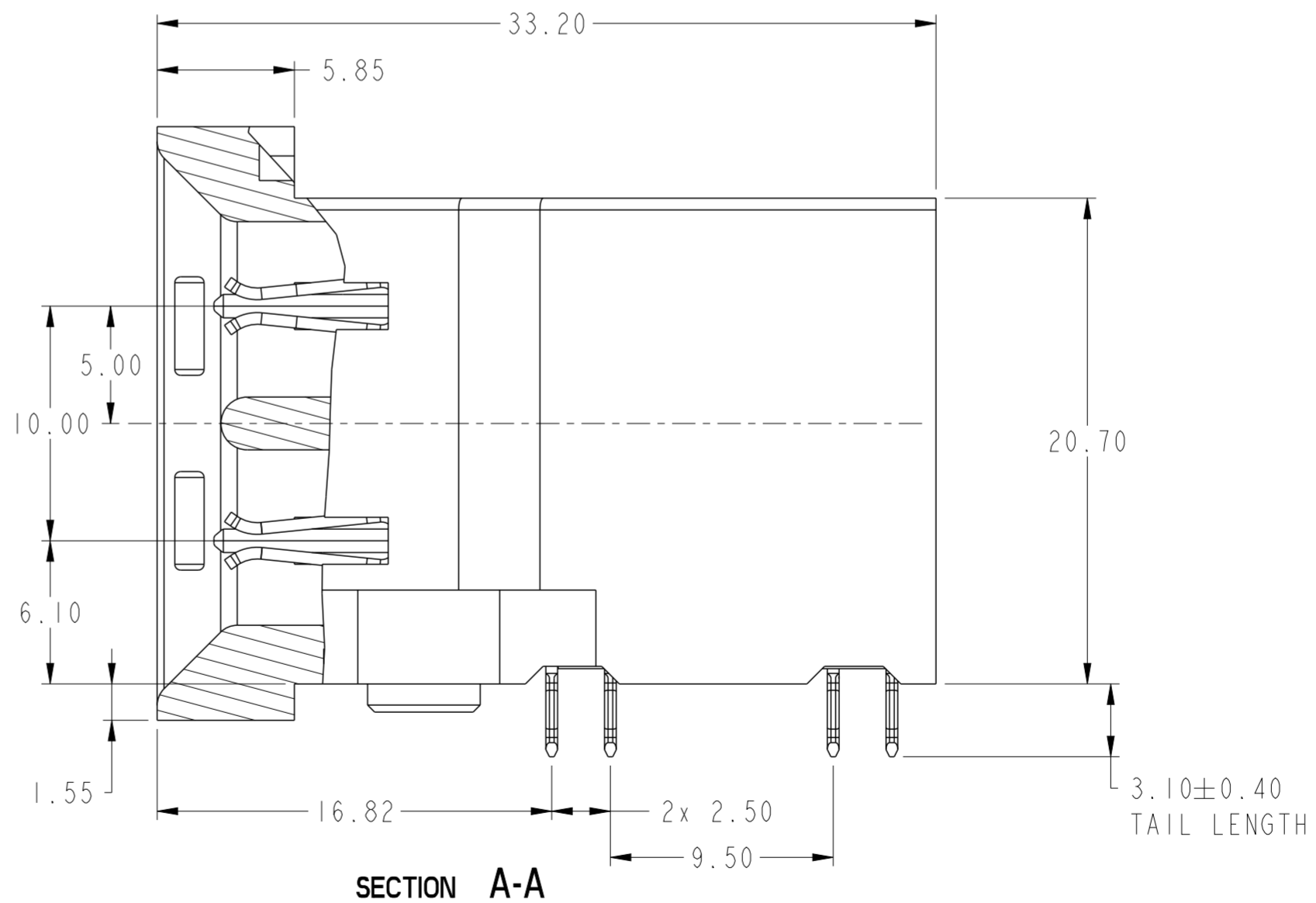
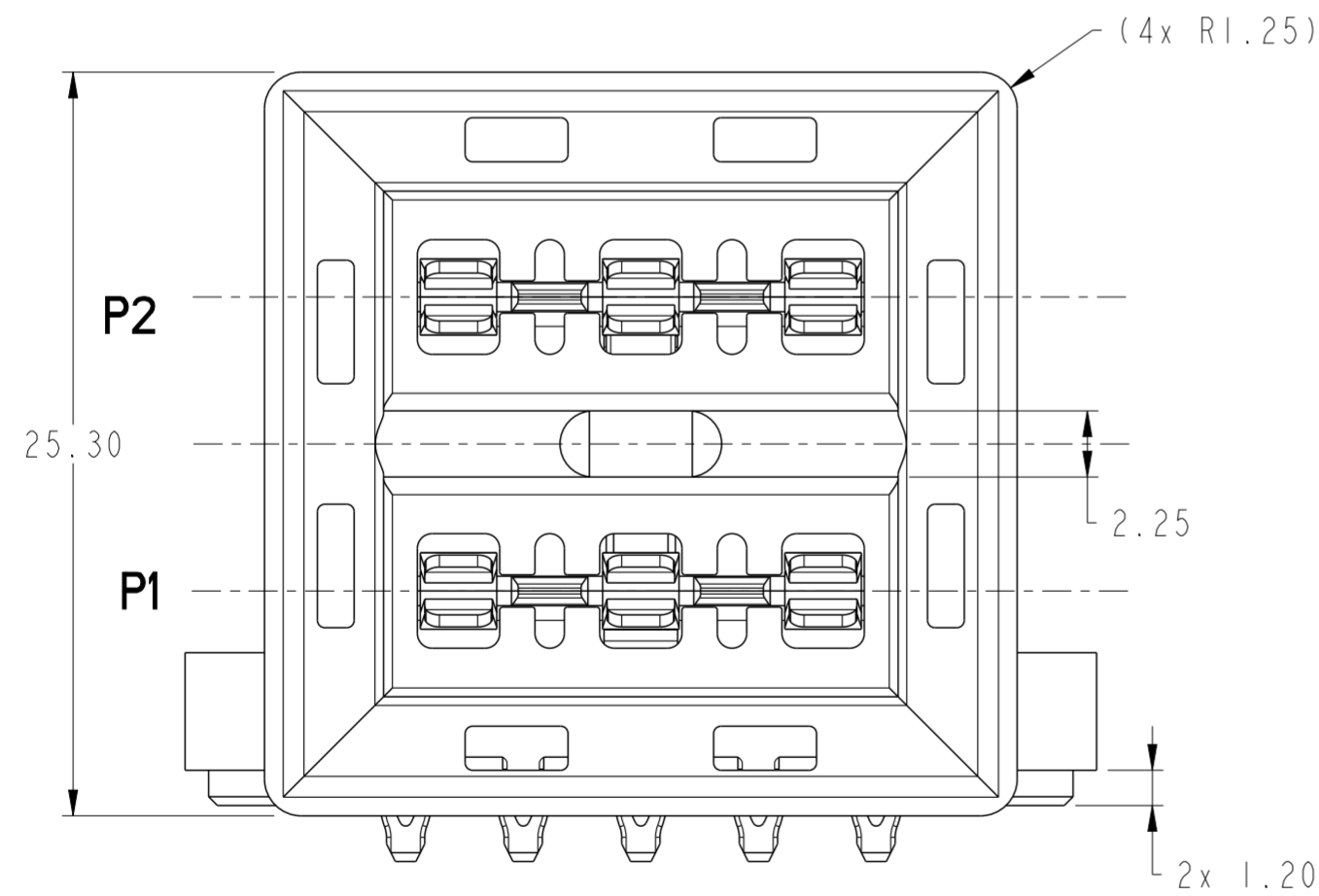
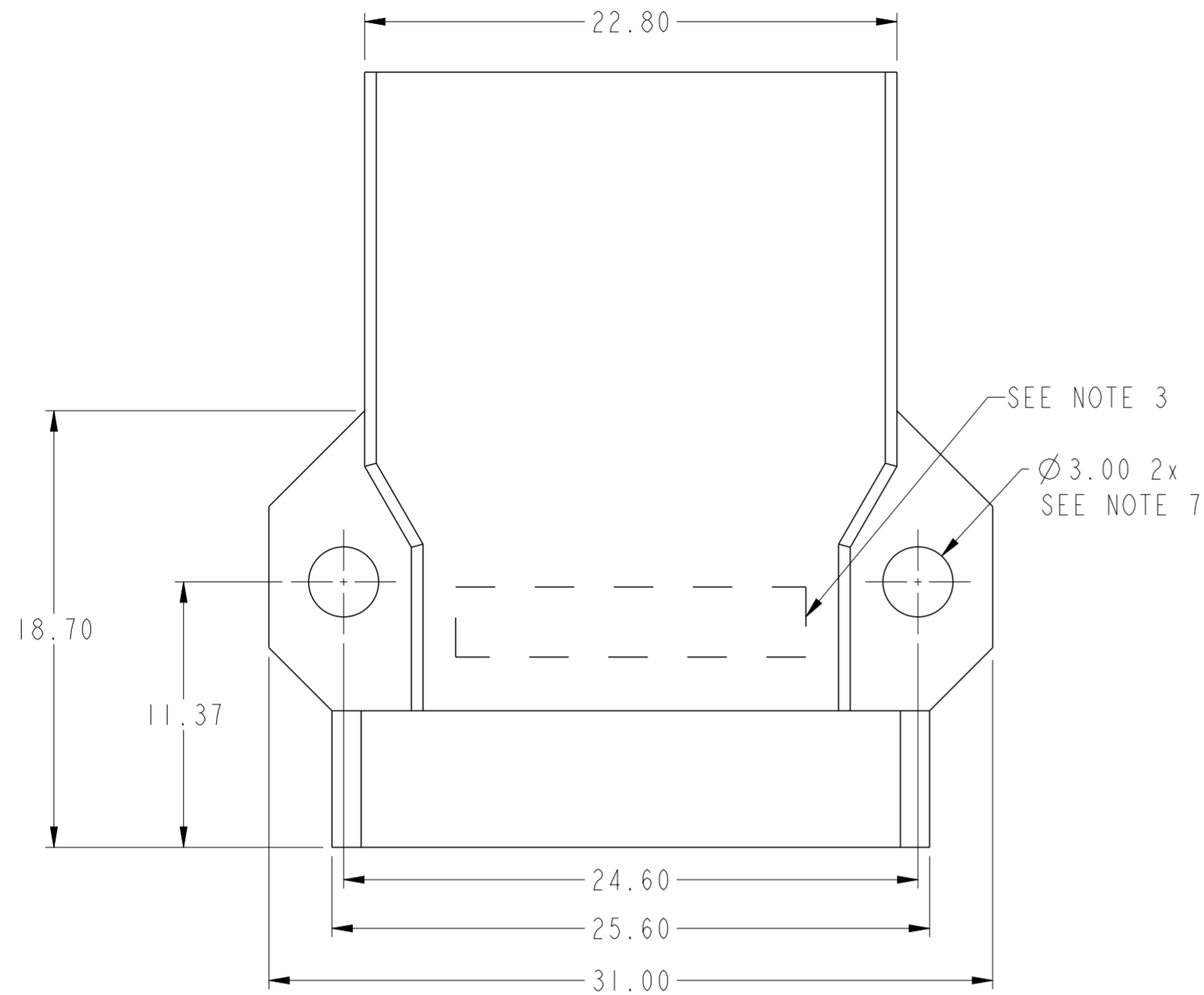
spec ref	-	dr	Chris Gieski	2015/02/03	projection	mm	size	A2	scale	4:1
tolerance std	ASME Y14.5	eng	Vicking Liu	2018/01/23			ecn no	-	Amphenol FCI	R/A ORTHOGONAL PLUG ASSEMBLY 2DC PWRMAX CONNECTOR SYSTEM
TOLERANCES UNLESS OTHERWISE SPECIFIED		chr	Feng Zheng	2018/01/23			rel level	Released		
surface	ASME Y14.5	appr	Pai-Ming Zheng	2018/01/23			cat. no.	-		
linear	0.X ±0.5 0.XX ±0.25 0.XXX ±0.10	title	R/A ORTHOGONAL PLUG ASSEMBLY 2DC PWRMAX CONNECTOR SYSTEM			dwg no	10132640		rev	A
angular	0° ±2°	cat. no.	-			Product - Customer Drw	-		sheet 1 of 7	

PDS: Rev :A

STATUS:Released

Printed: Jan 23, 2018

1	2	3	4	5	6	7	8
PART NO		DESCRIPTION					
10132640-002LF		BUSBAR BOLT HOLD DOWN OPTION					



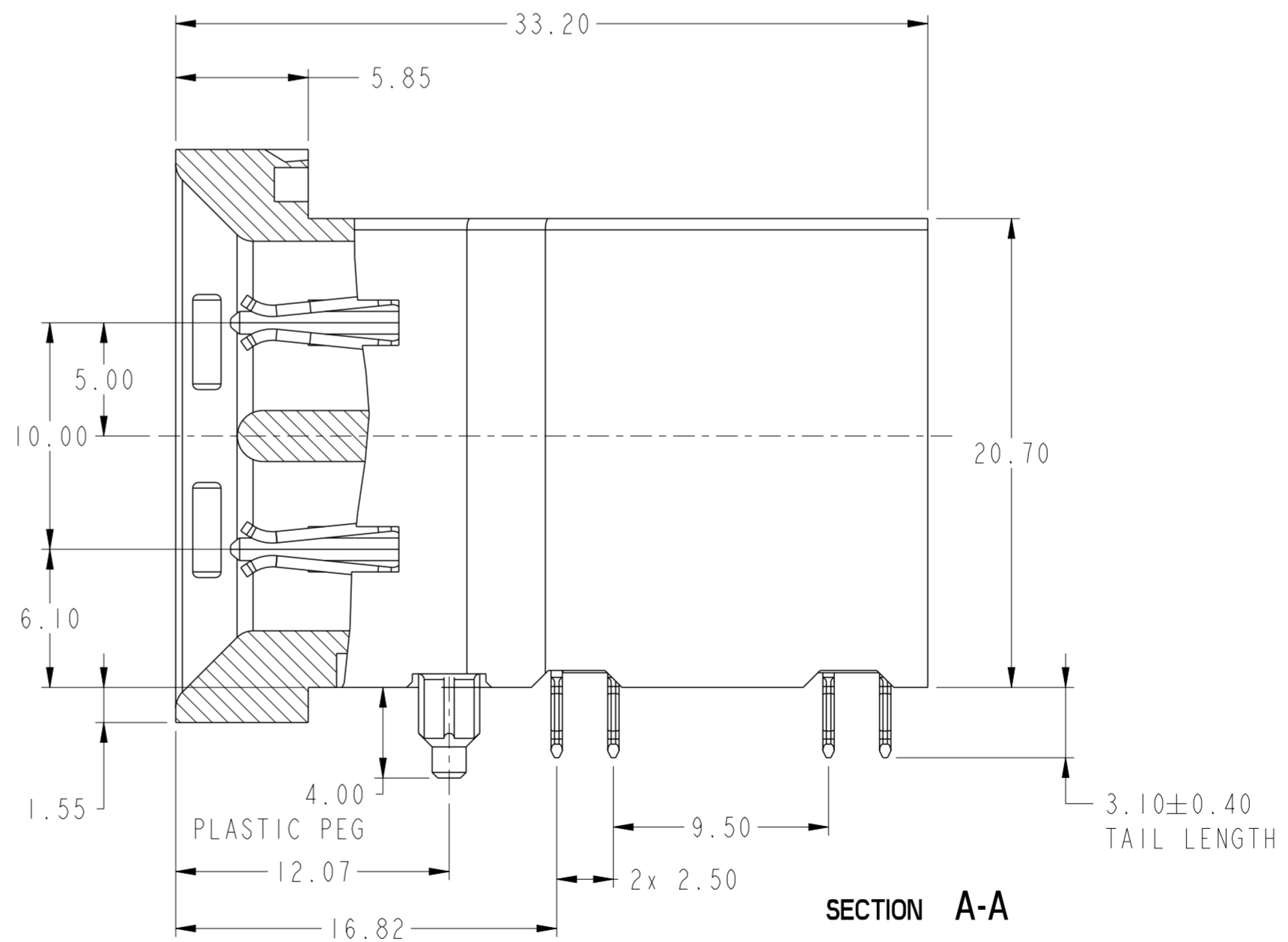
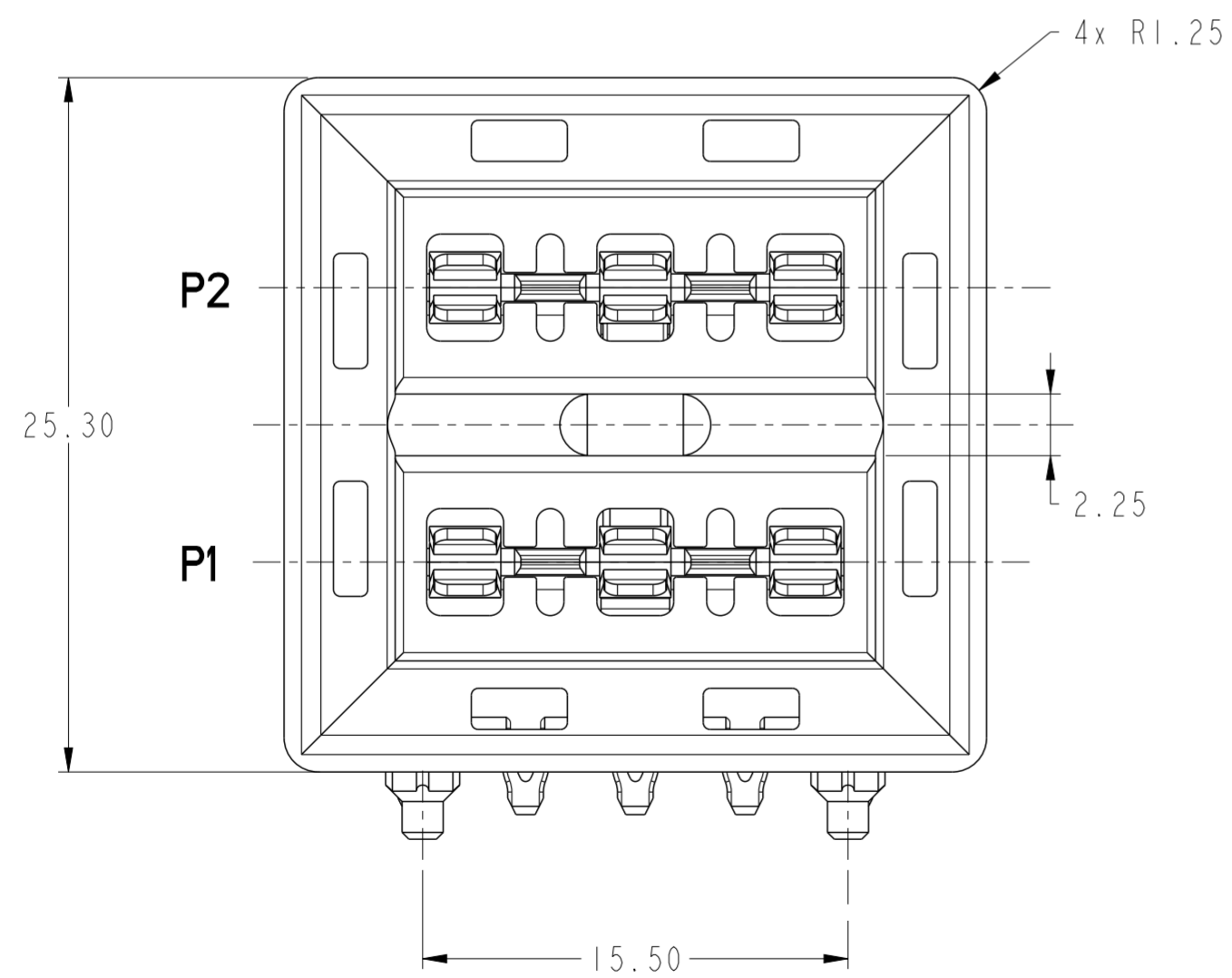
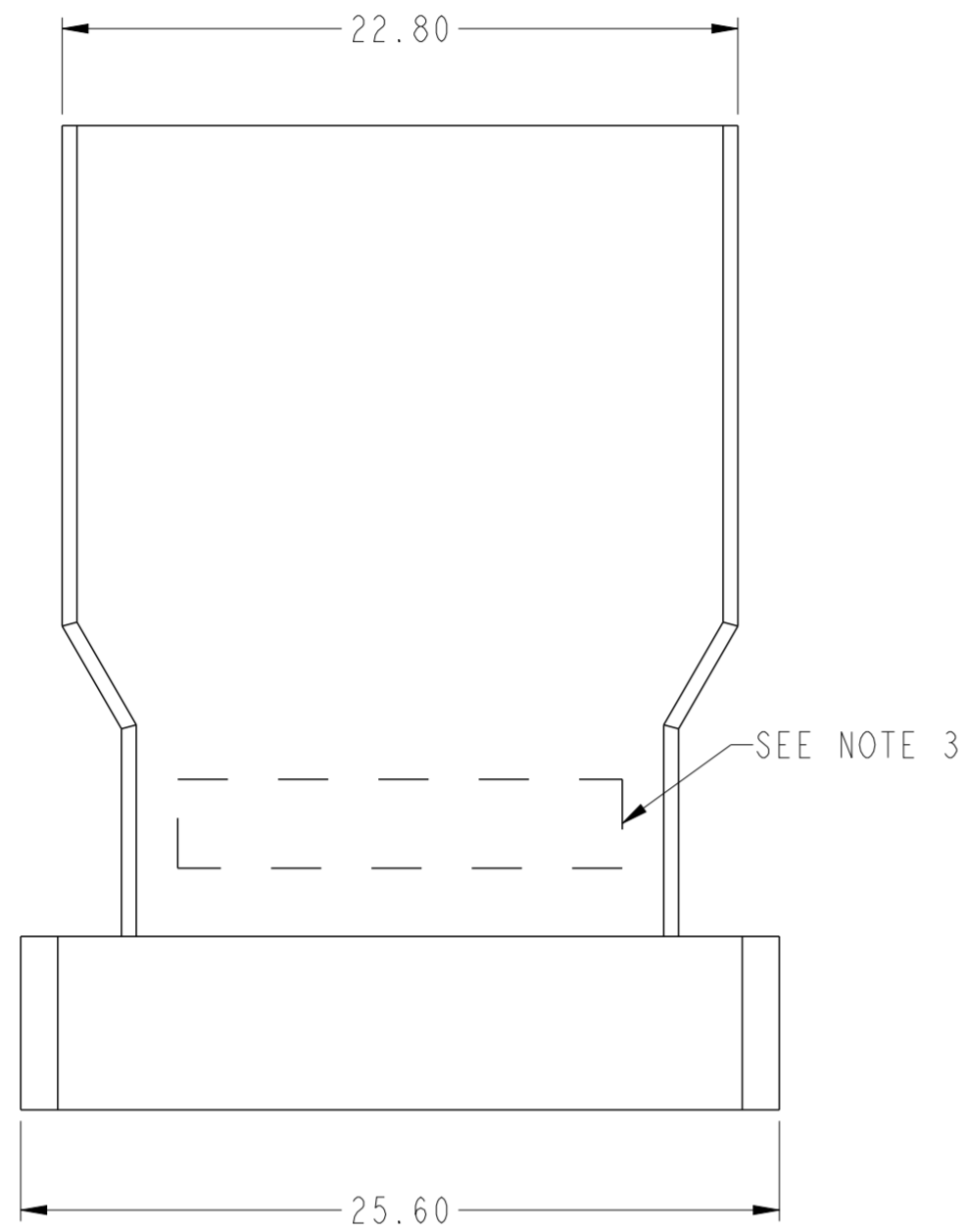
spec ref	-	dr	Chris Gieski	2015/02/03	projection	mm	size	A2	scale	2:1
tolerance std	ASME Y14.5	eng	Vicking Liu	2018/01/23			ecn no	-	Amphenol FCI	R/A ORTHOGONAL PLUG ASSEMBLY 2DC PWRMAX CONNECTOR SYSTEM
TOLERANCES UNLESS OTHERWISE SPECIFIED		chr	Feng Zheng	2018/01/23			rel level	Released		
surface	ASME Y14.5	appr	Pei-Ming Zheng	2018/01/23			cat. no.	-		
linear	0.X ±0.5 0.XX ±0.25 0.XXX ±0.10	angular	0° ±2°	dwg no	10132640	rev	A			

PDS: Rev :A

STATUS:Released

Printed: Jan 23, 2018

PART NO	DESCRIPTION
10132640-003LF	PCB PLASTIC PEG HOLD DOWN OPTION



spec ref	-	dr	Chris Gieski	2015/02/03	projection	mm	size	A2	scale	4:1			
tolerance std	ASME Y14.5	eng	Vicking Liu	2018/01/23			ecn no	-	Amphenol FCI	title	R/A ORTHOGONAL PLUG ASSEMBLY 2DC		
TOLERANCES UNLESS OTHERWISE SPECIFIED		chr	Feng Zheng	2018/01/23			rel level	Released		cat. no.	-	Product - Customer Drw	sheet 3 of 7
surface	ASME Y14.5	appr	Pei-Ming Zheng	2018/01/23			divg no	10132640		rev	A		
		linear	0.X	±0.5									
			0.XX	±0.25									
			0.XXX	±0.10									
		angular	0°	±2°									

PDS: Rev :A

STATUS:Released

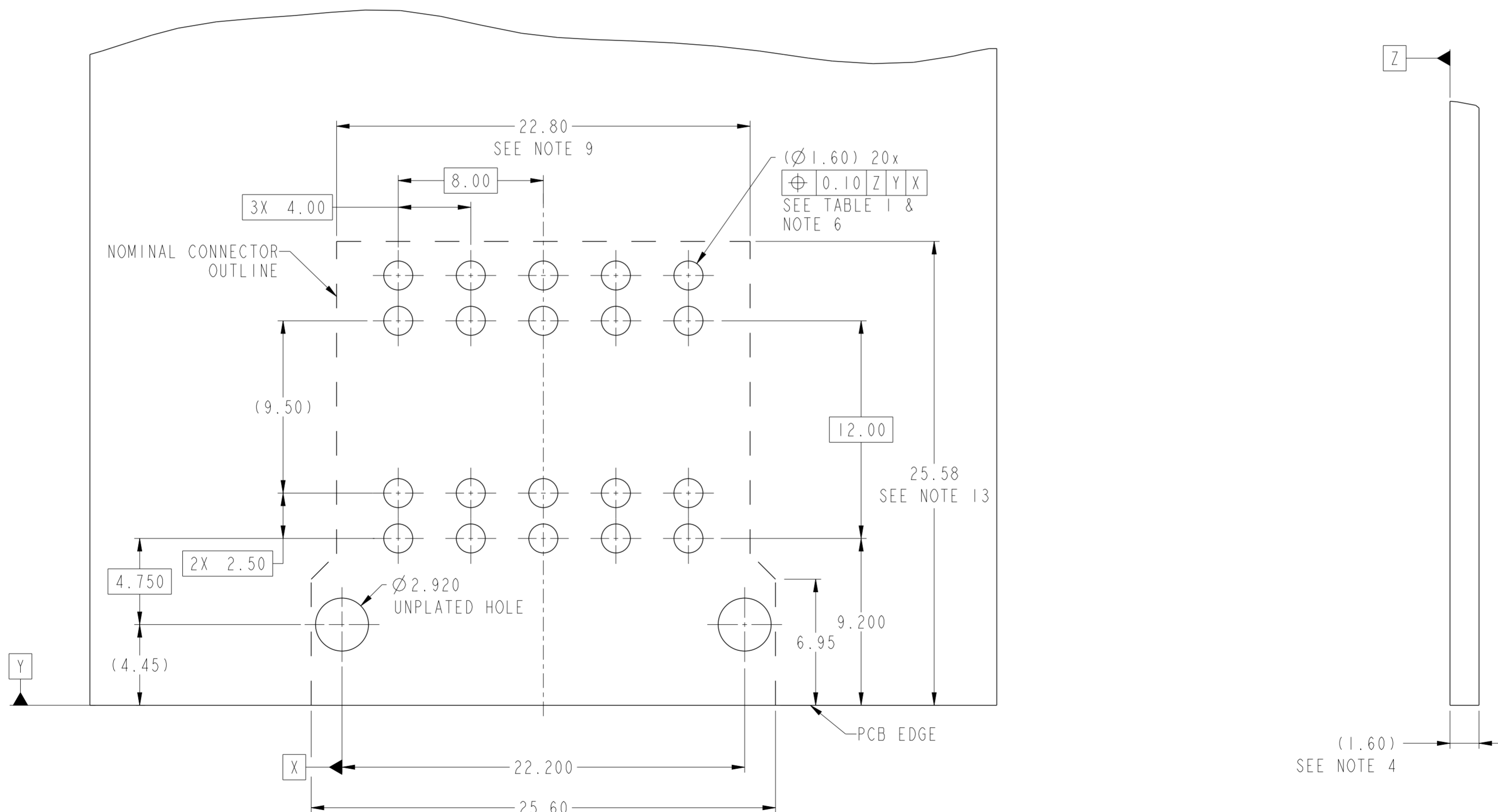
Printed: Jan 23, 2018

TABLE 1 (PWRMAX ORTHOGONAL PLUG)
PLATED THROUGH-HOLE REQUIREMENTS

TOP LAYER DESCRIPTION	DRILLED HOLE DIAMETER	COPPER THICKNESS	TIN-LEAD THICKNESS	NICKEL THICKNESS	GOLD THICKNESS	TIN THICKNESS	SILVER THICKNESS	FINISHED HOLE DIAMETER
IMMERSION TIN	1.68-1.73 (1.72 DRILL)	0.025 - 0.050	--	--	--	0.9 - 1.5um	--	1.500 - 1.650
IMMERSION SILVER	1.68-1.73 (1.72 DRILL)	0.025 - 0.050	--	--	--	--	0.15 - 0.65um	1.500 - 1.650
COPPER (SEE NOTE 9)	1.68-1.73 (1.72 DRILL)	0.025 - 0.050	--	--	--	--	--	1.500 - 1.650
GOLD	1.68-1.73 (1.72 DRILL)	0.025 - 0.050	--	0.003 - 0.007	FLASH UP TO 0.0002	--	--	1.500 - 1.650

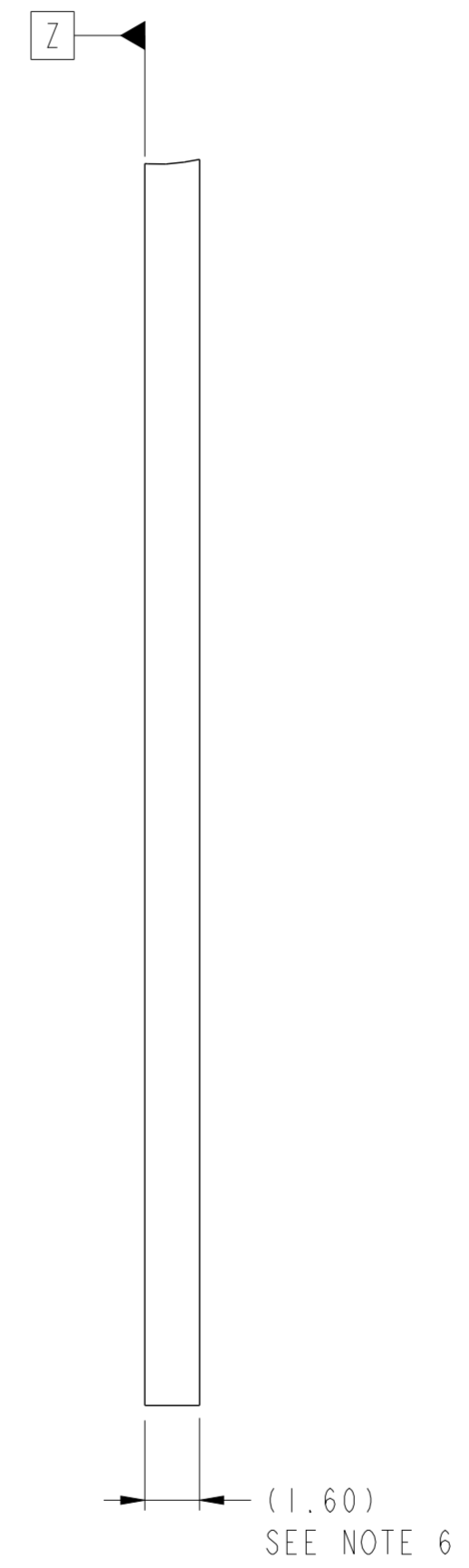
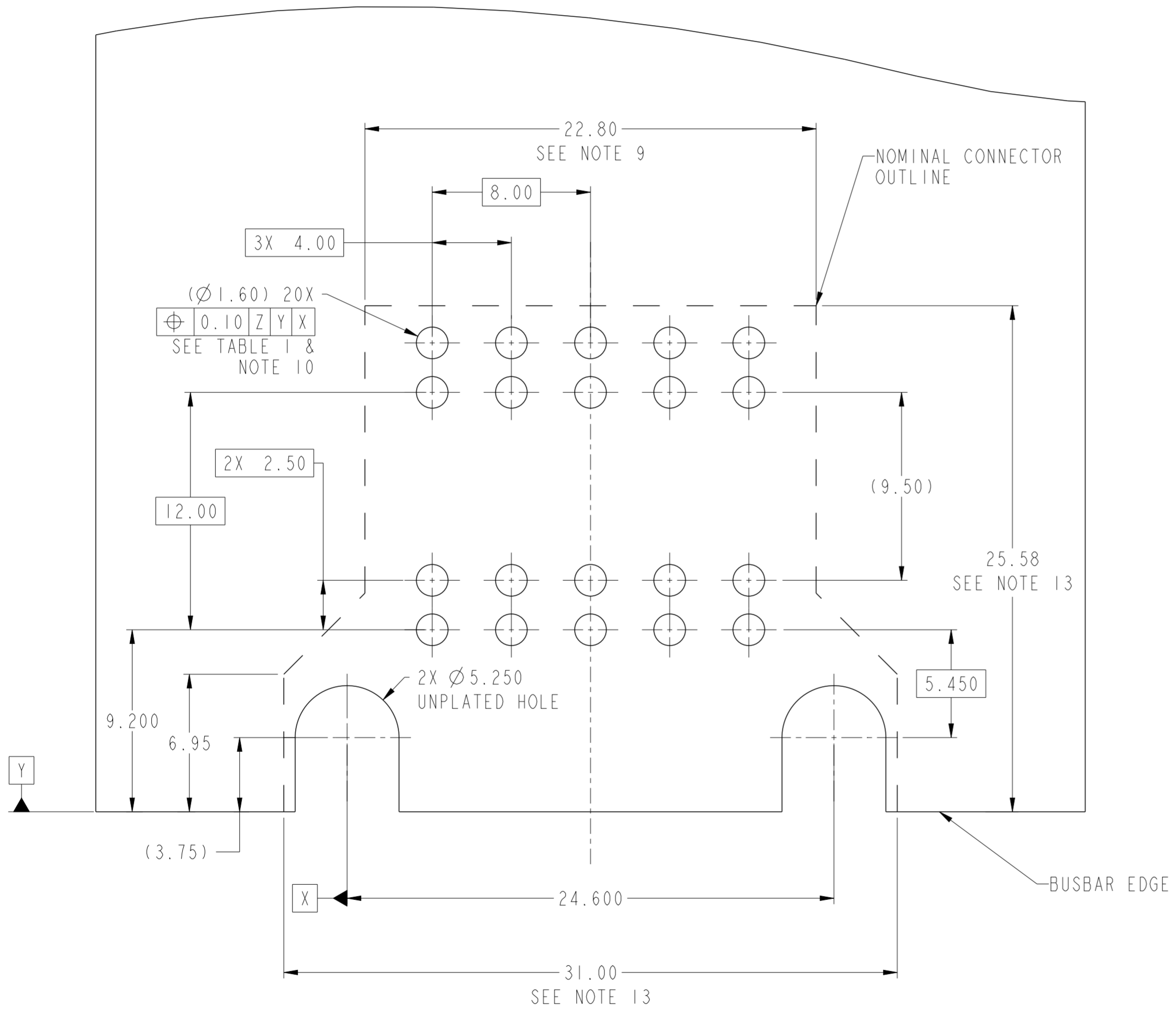
TABLE 2 (PWRMAX ORTHOGONAL PLUG)
BUSBAR HOLE REQUIREMENTS

DESCRIPTION	FINISHED HOLE DIAMETER
BUSBAR	1.600 ± 0.050



SEE NOTE 11
**RECOMMENDED PCB LAYOUT
WITH METAL CLIP HOLD DOWNS
SCALE 5:1**

spec ref	-	dr	Chris Gieski	2015/02/03	projection	mm	size	A2	scale	5:1	
tolerance std	ASME Y14.5	eng	Vicking Liu	2018/01/23	chr	Feng Zheng	2018/01/23	ecn no	-	rel level	Released
surface	linear	0.X	±0.5	0.XX	±0.25	0.XXX	±0.10	product family	-	cat. no.	R/A ORTHOGONAL PLUG ASSEMBLY 2DC PWRMAX CONNECTOR SYSTEM
ASME Y14.5	angular	0°	±2°	Amphenol FCI	title	R/A ORTHOGONAL PLUG ASSEMBLY 2DC PWRMAX CONNECTOR SYSTEM	dwg no	10132640	rev	A	
					Product - Customer Drw		sheet 4 of 7				

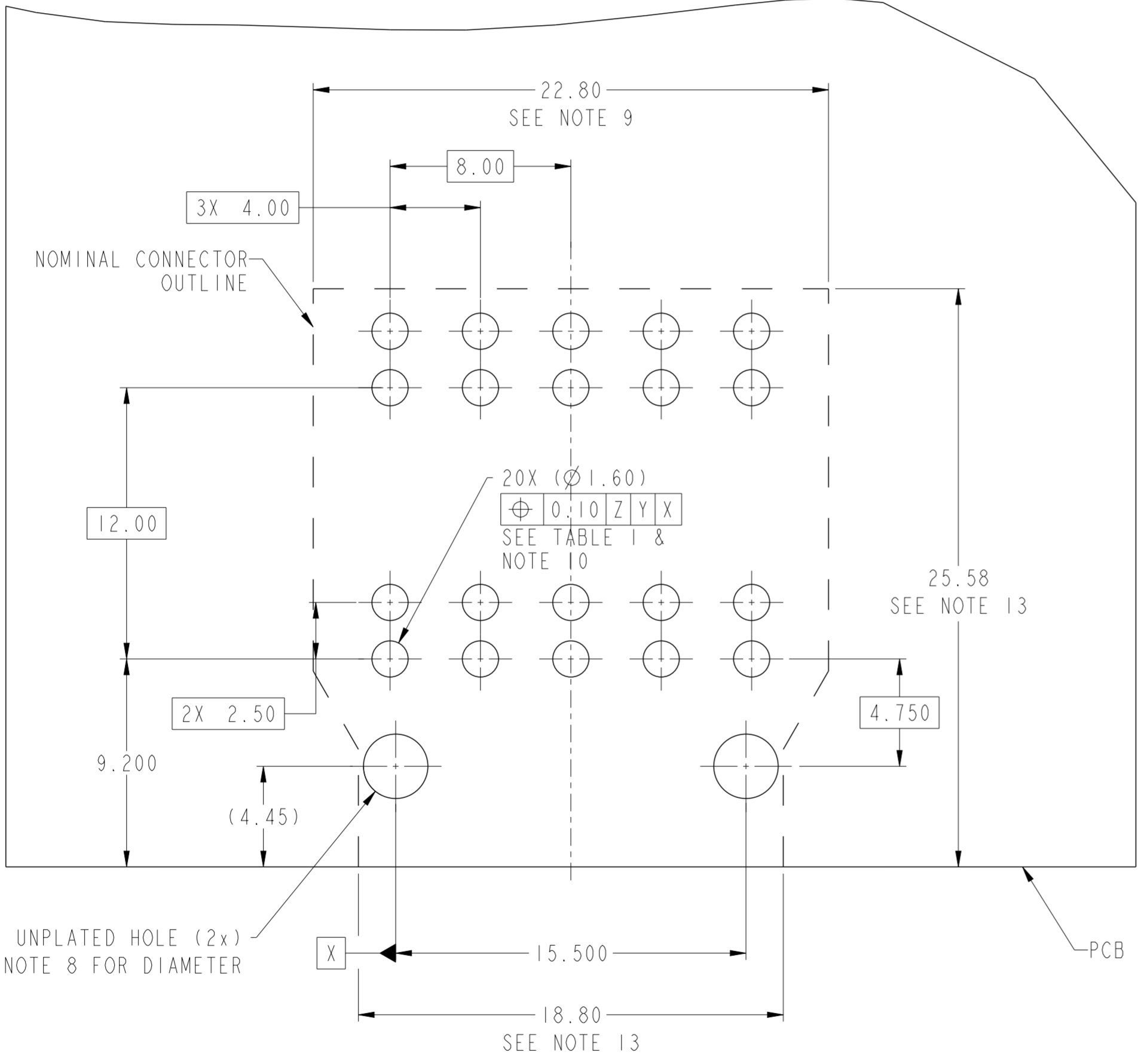


**RECOMMENDED BUSBAR LAYOUT
WITH BOLT HOLD DOWNS
SCALE 5:1**

spec ref	-	dr	Chris Gieski	2015/02/03	projection	mm	size	A2	scale	2:1	
tolerance std	ASME Y14.5	eng	Vicking Liu	2018/01/23			ecn no	-	rel level		Released
TOLERANCES UNLESS OTHERWISE SPECIFIED		chr	Feng Zheng	2018/01/23			product family	-	rel level		Released
surface	ASME Y14.5	appr	Pai-Ming Zheng	2018/01/23			cat. no.	-	Product - Customer Drw	sheet 5 of 7	rev
linear	0.X ±0.5 0.XX ±0.25 0.XXX ±0.10			R/A ORTHOGONAL PLUG ASSEMBLY 2DC PWRMAX CONNECTOR SYSTEM		divg no	10132640				
angular	0° ±2°			PDS: Rev :A		STATUS:Released		Printed: Jan 23, 2018			

Amphenol
FCi

© 2016 AFci



Z

(1.60)
SEE NOTE 6

**RECOMENDED LAYOUT
WITH PLASTIC PEG HOLD DOWNS
SCALE 5:1**

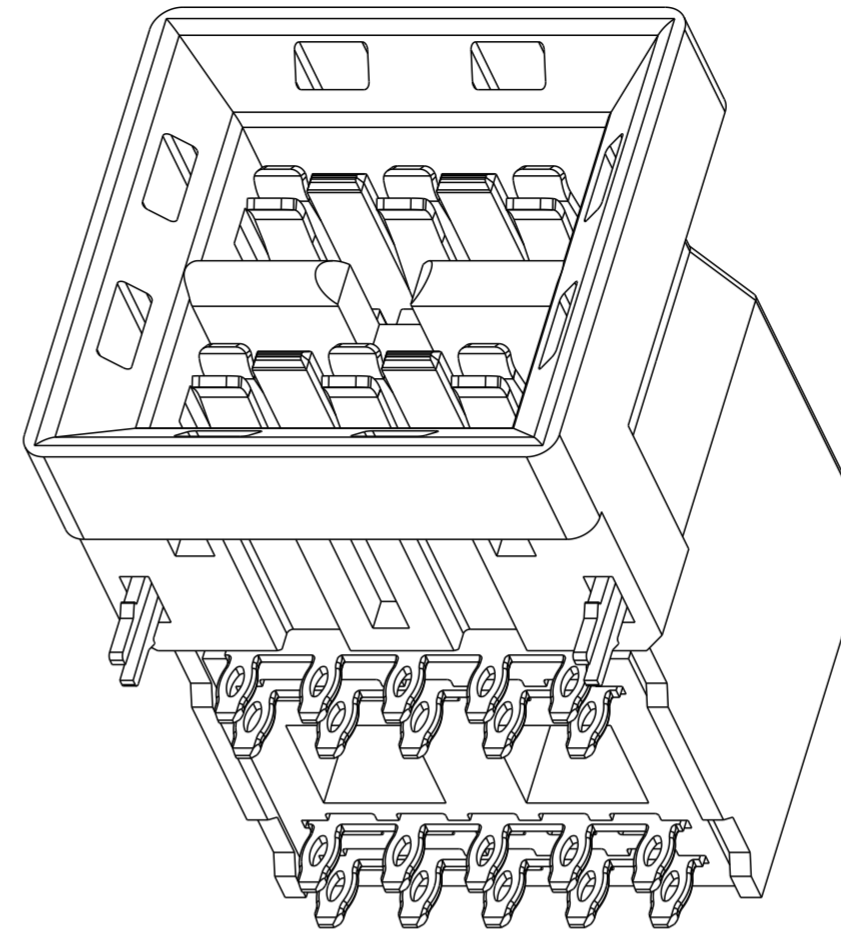
**Amphenol
FCi**

© 2016 AFci

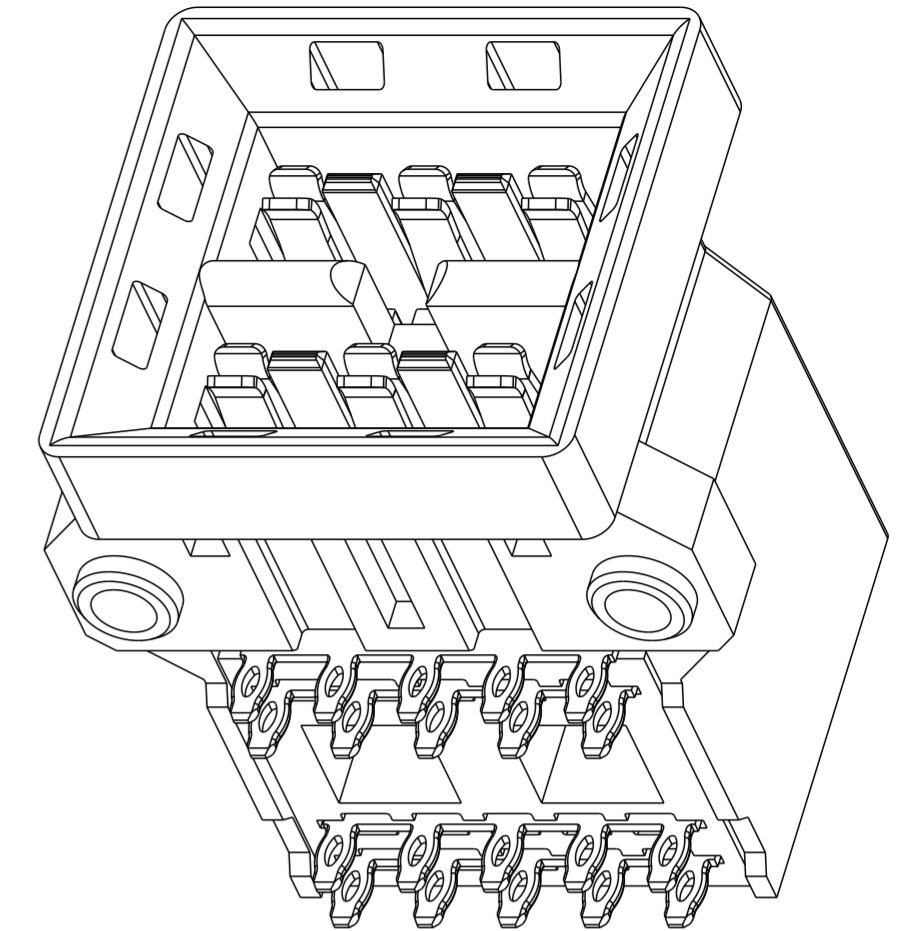
spec ref	-	dr	Chris Gieski	2015/02/03	projection	mm	size	A2	scale	4:1
tolerance std	ASME Y14.5	eng	Vicking Liu	2018/01/23			ecn no	-	rel level	
TOLERANCES UNLESS OTHERWISE SPECIFIED		chr	Feng Zheng	2018/01/23			Released			
surface	ASME Y14.5	appr	Pai-Ming Zheng	2018/01/23			Product - Customer Drw			
linear	0.X ±0.5 0.XX ±0.25 0.XXX ±0.10	Amphenol FCi	R/A ORTHOGONAL PLUG ASSEMBLY 2DC PWRMAX CONNECTOR SYSTEM		cat. no.	-	Product - Customer Drw	sheet 6 of 7	rev	A
angular	0° ±2°	PDS: Rev :A		STATUS:Released		Printed: Jan 23, 2018				

R/A ORTHOGONAL PLUG ASSEMBLY 2DC

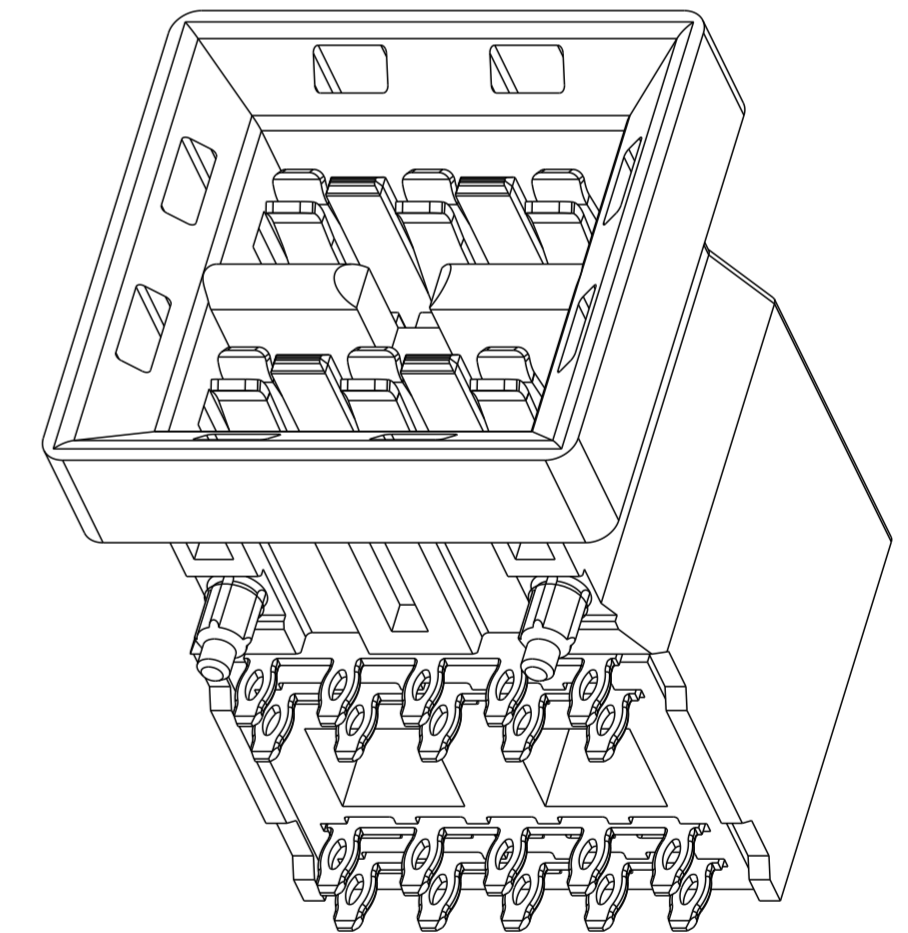
PRODUCT NUMBER	PLATING TYPE	DESCRIPTION
10132640-001LF	GCS	PCB METAL CLIP HOLD DOWN OPTION
10132640-002LF	GCS	BUSBAR BOLT HOLD DOWN OPTION
10132640-003LF	GCS	PCB PLASTIC PEG HOLD DOWN OPTION



10132640-001LF
SCALE 3:1



10132640-002LF
SCALE 3:1



10132640-003LF
SCALE 3:1

NOTES:

- CONNECTOR MATERIALS:
HOUSING: HIGH TEMP THERMOPLASTIC, BLACK
UL94 V-0 COMPLIANT
CONTACTS: COPPER ALLOY
- PRODUCT SPECIFICATION: GS-12-1342.
APPLICATION SPECIFICATION: GS-20-0452.
PACKAGE IN TRAYS, PER SPECIFICATION: GS-14-2479.
- PRODUCT MARK:
PART NUMBER AND DATE CODE TO BE MARKED ON THIS SURFACE .
THE MARK CAN BE OMITTED IF THERE IS NOT ENOUGH SPACE ON THIS SURFACE.
- MINIMAL NOMINAL BUSBAR & PCB THICKNESS: 1.60 mm
- COPPER PLATING THICKNESS IN CENTER OF VIA-HOLE CAN BE
NO MORE THAN 0.003 LESS THAN OTHER AREAS.
- ALL HOLE SIZES ARE FINISHED HOLE SIZES UNLESS OTHERWISE NOTED.
- USE STANDARD #4 X 40 UNC SCREW FOR MOUNTING HOLES IF APPLICABLE.
- PLASTIC PEG MOUNTING HOLES ARE UNPLATED.
Ø 2.85 ± 0.10 FOR PRESS-FIT TAILS
- CONNECTOR KEEP OUT ZONE.
- THIS PRODUCT MEETS EUROPEAN UNION DIRECTIVES AND OTHER COUNTRY
REGULATIONS AS DESCRIBED IN GS-47-0004.

Amphenol
FCi

© 2016 AFCI

spec ref	-	dr	Chris Gieski	2015/02/03	projection	mm	size	A2	scale	4:1		
tolerance std	ASME Y14.5	eng	Vicking Liu	2018/01/23			ecn no	-	rel level		Released	
TOLERANCES UNLESS OTHERWISE SPECIFIED		chr	Feng Zheng	2018/01/23			product family	-	-		rev	A
surface	ASME Y14.5	appr	Pai-Ming Zheng	2018/01/23			title	R/A ORTHOGONAL PLUG ASSEMBLY 2DC	cat. no.	-	Product - Customer Drw	sheet 7 of 7

PDS: Rev :A

STATUS:Released

Printed: Jan 23, 2018