

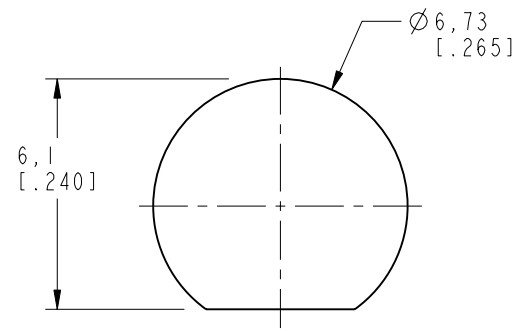
NOTES:

1. MATERIALS AND FINISHES:
 BODIES, HEX NUT & LOCK WASHER - STAINLESS STEEL, PASSIVATED
 CONTACT - BeCu, GOLD PLATING
 INSULATORS - PTFE, NATURAL
 FERRULE - COPPER, NICKEL PLATING
 HEAT SHRINK TUBE - POLYOLEFIN, BLACK
2. ELECTRICAL:
 A. IMPEDANCE: 50 OHM
3. MECHANICAL:
 A. DURABILITY: 500 CYCLES MIN.
 B. TEMPERATURE RANGE: -65 °C TO +165° C
4. PACKAGING:
 A. QUANTITY: SINGLE PACK
 B. MARKING: BAG TO BE MARKED
 "AMPHENOL RF, 901-9610-12SF , AND DATE CODE"
5. FOR ASSEMBLY INSTRUCTIONS SEE AMPHENOL SPEC.349-50180 SHEET 35.
6. CRIMP USING AMPHENOL TOOL 227-944, DIE SET 227-1221-37
 CAVITY "B" (M22520/5-37 CLOSURE "B") .151" HEX.
7. * SHOWS CABLE ENTRY DIMENSIONS.

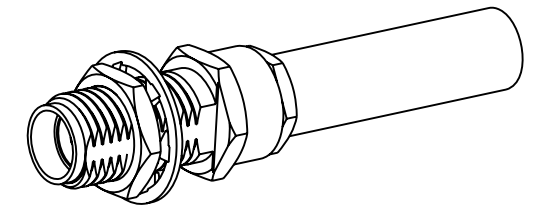
THIRD ANGLE PROJ.

REVISIONS

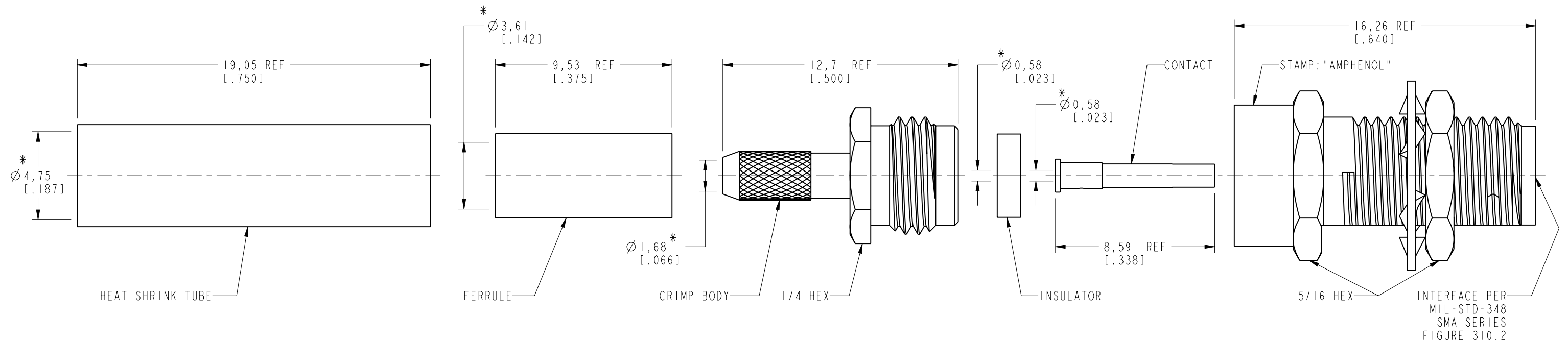
REV	DESCRIPTION	DATE	ECO	APPR
--	RELEASE TO MFG.	--	--	--
D	REDRAWN IN PRO-E & COD ADDED	17-Mar-14	49831	SH



RECOMMENDED MOUNTING HOLE DIMENSIONS



SCALE 2.000



CUSTOMER OUTLINE DRAWING

ALL OTHER SHEETS ARE FOR INTERNAL USE ONLY

UNLESS OTHERWISE SPECIFIED, DIMENSIONS ARE IN METRIC AND TOLERANCES ARE: <0.5mm ±0.05mm 0.5 - 6mm ±0.1mm 6 - 30mm ±0.2mm 30 - 120mm ±0.3mm ANGLES ±1°	MATERIAL	DRAWN	DATE	TITLE SMA BULKHEAD JACK FOR M17/152, RD-316 CABLE		Amphenol RF www.amphenolrf.com	
	SEE NOTES	S. DUAN	17-Mar-14				
NOTICE - These drawings, specifications, or other data (1) are, and remain the property of Amphenol corp. (2) must be returned upon request; and (3) are confidential and not to be disclosed to any person other than those to whom they are given by Amphenol Corp. the furnishing of these drawings, specifications, or other data by Amphenol Corp., or to any other person to anyone for any purpose is not to be regarded by implication or otherwise in any manner licensing, granting rights to permitting such holder or any other person to manufacture, use or sell any product, process or design, patented or otherwise, that may in any way be related to or disclosed by said drawings, specifications, or other data.	REFERENCE	ENGINEER	DATE	SCALE: 4.8:1.0 SHEET 2 OF 2		DRAWING NO.901-9610-12SF ITEM NO.901-9610-12SF	
	EAR # 111-962211	K. CAPOZZI	12/11/13				
	CONFIGURATION LEVEL: <input type="checkbox"/> <input type="checkbox"/> <input type="checkbox"/>	APPROVED	DATE		DWG SIZE REV B D		PART NO.901-9610-12SF
FINISH	S. HSIEH	17-Mar-14					