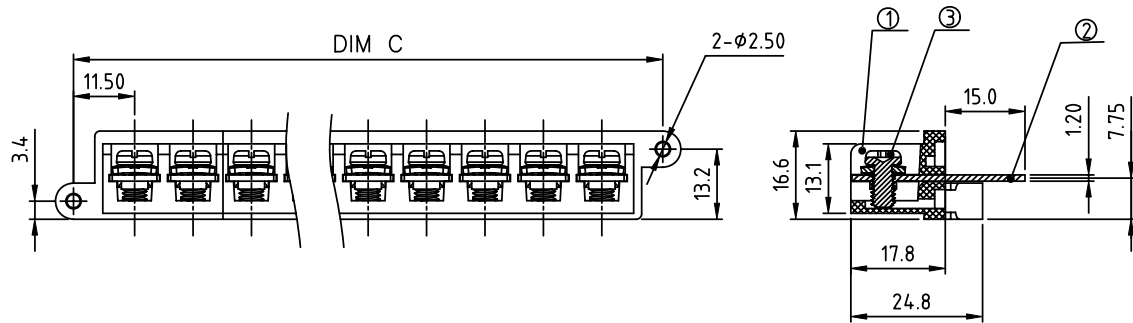
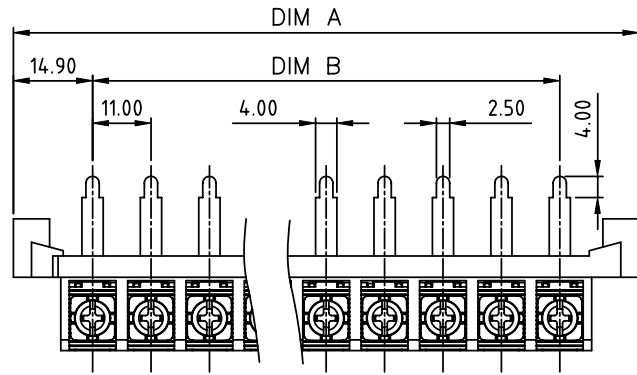


PRODUCT NUMBER	PITCH
YK112xx3x0JOG	11.00 mm



MATERIALS & ELECTRICAL
 RATED VOLTAGE & CURRENT: 300V, 20 A
 WITHSTAND VOLTAGE: AC 2000 V/Min
 INSULATION RESISTANCE: 1000 MΩ OR MORE AT DC 500 V
 OPERATING TEMPERATURE RANG: -40 °C ~ +115 °C
 SCREW TORQUE VALUE: 11lb-In
 WIRE RANGE: 22-12 AWG
 1) HOUSING: Thermoplastic (UL 94 V-0)
 2) TERMINAL: BRASS, 12t
 3) TERMINAL SCREWS: STEEL, M4
 APPROVAL:

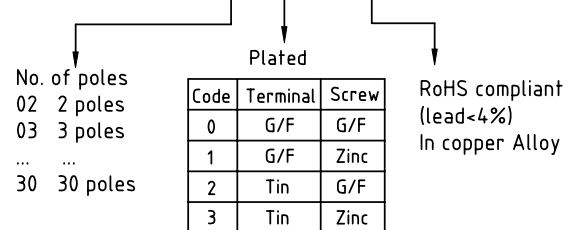
DIMENSION

Dim A	(N+1)×11.0+7.8
Dim B	(N-1)×11.0
Dim C	(N+1)×11.0+1

N=Number of poles

Poles	Tolerance
2p-8p	±0.20
9p-14p	±0.30
15p-20p	±0.40
21p-24p	±0.50
25p-30p	±0.60

PART NO.: YK 112xx 3 x 0 JOG



mat'l. code		surface ASME Y14.5 ✓	tolerance ASME Y14.5	projection 	product family TERMINAL BLOCK
ltr	ecn no	dr	date	tolerances unless otherwise specified	title TERMINAL BLOCK
				angles φ ±	BARRIER TYPE, WITH FLANGE
				X°±1°	scale MM
		dr	EVAN LU	061614	dwg no YK112xx3x0JOG
		enr	EVAN LU	061614	sheet 1 of 1
		chr	HANKE FENG	061614	size A4
		appd	SHI JUN	061614	type CUSTOMER Drawing
sheet index	revision	A			
	sheet	1			