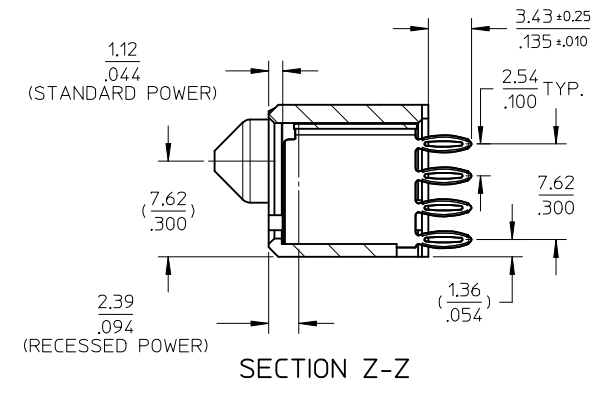
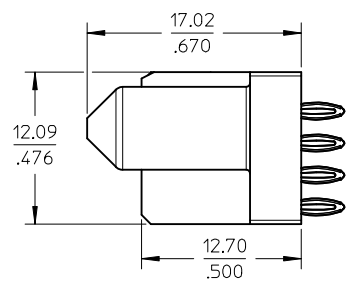
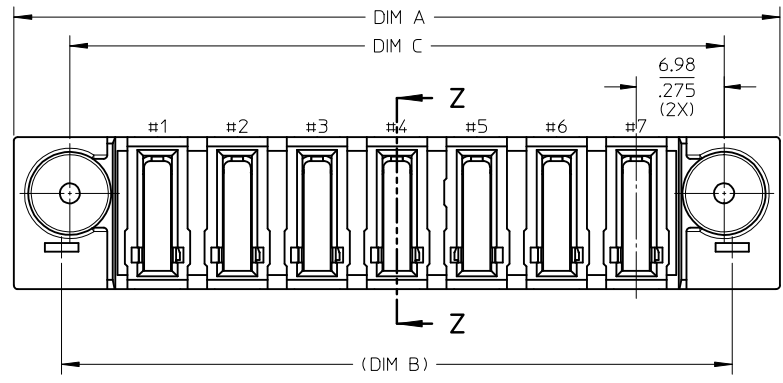
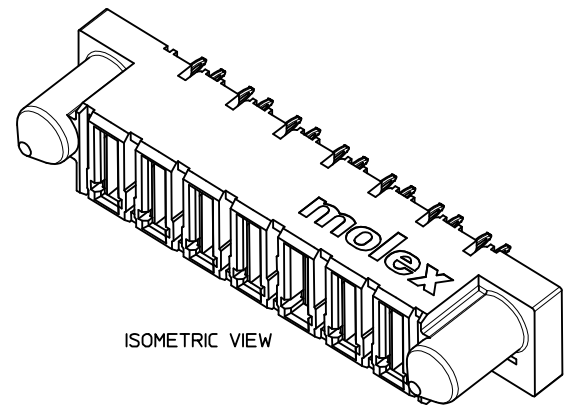
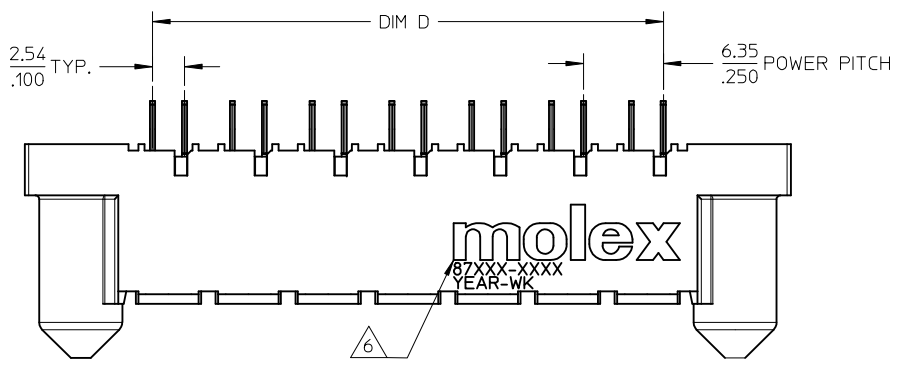


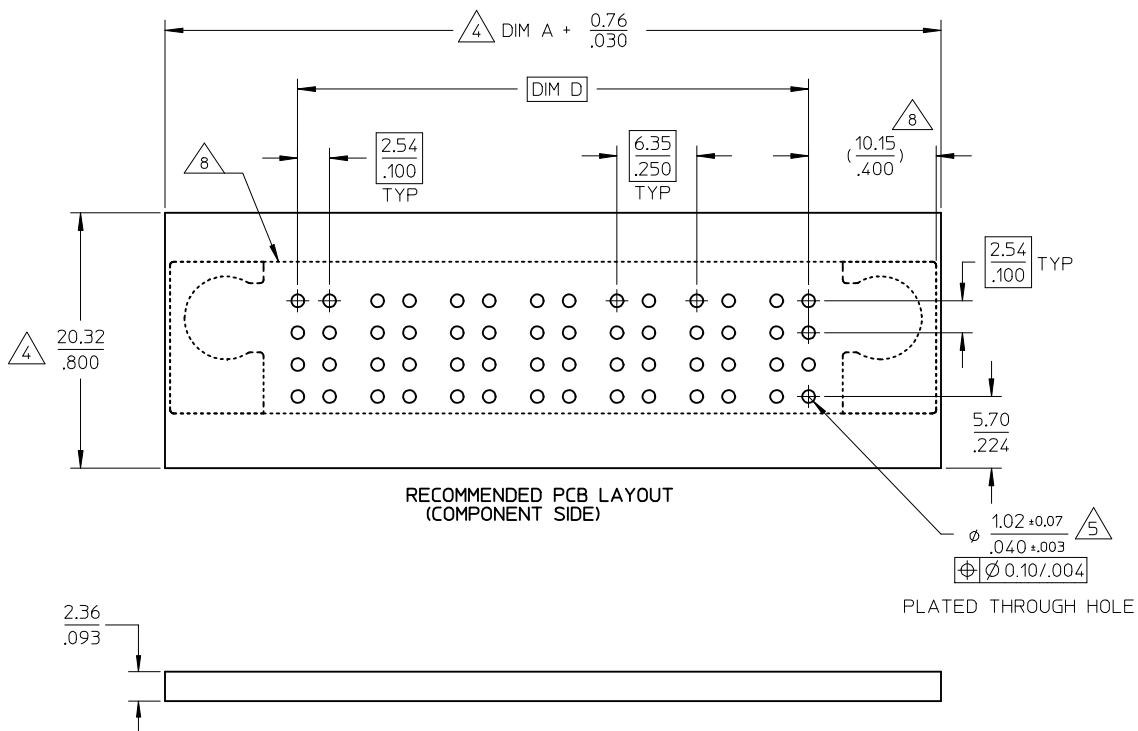
10 9 8 7 6 5 4 3 2 1



| | | | | | | | | | |
|---|--|--|--|--|--|---|------------------------------|---------------------|--|
| REVISED EC NO: S2014-0060 DRWN:SKANG CH'KD:MLONG APPR:MLONG 2013/07/16 2013/09/06 2013/09/09 | QUALITY SYMBOLS $F_A=0$ $F_C=0$ $F_P=0$ | GENERAL TOLERANCES (UNLESS SPECIFIED) mm INCH 4 PLACES ± --- ± --- 3 PLACES ± --- ± --- 2 PLACES ± 0.13 ± --- 1 PLACE ± 0.25 ± --- 0 PLACE ± ± | DIMENSION STYLE MM/IN DRAWN BY DATE KMG0H 2002/09/23 CHECKED BY DATE PTLIM 2002/10/30 APPROVED BY DATE SKTOH 2002/10/30 | SCALE NTS DESIGN UNITS METRIC THIRD ANGLE PROJECTION | TITLE POWER CONN. RECEPTACLE ALL POWER CONFIGURATION VERTICAL PRESS-FIT moLEX | MATERIAL NO. SEE TABLE SIZE A3 | DOCUMENT NO. SD-87691-010 | SHEET NO. 1 OF 2 | |
| | DESCRIPTION D1 | ANGULAR ± 3 ° DRAFT WHERE APPLICABLE MUST REMAIN WITHIN DIMENSIONS | THIS DRAWING CONTAINS INFORMATION THAT IS PROPRIETARY TO MOLEX INCORPORATED AND SHOULD NOT BE USED WITHOUT WRITTEN PERMISSION | | | | | | |
| | | | | | | | | | |
| | | | | | | | | | |

9 8 7 6 5 4 3 2 1

| PART NUMBER | ALL POWER CONFIGURATION | RECESSED POWER CIRCUIT | DIM A | DIM B | DIM C | DIM D | PACKAGING | PLATING OPTION |
|-------------|-------------------------|------------------------|----------------|----------------|----------------|----------------|-----------|----------------|
| 87691-1007 | 7 | NIL | 60.96 2.400 | 53.34 2.100 | 52.07 2.050 | 40.64 1.600 | TRAY | TIN |
| 87691-2002 | 5 | #1 & #5 | 48.26 1.900 | 40.64 1.600 | 39.37 1.550 | 27.94 1.100 | | |
| 87691-2003 | 2 | NIL | 29.21 1.150 | 21.59 0.850 | 20.32 0.800 | 8.89 0.350 | | |



CONNECTOR - NOTES

1. MATERIALS :

- HOUSING - LCP, GLASS FILLED, UL94-0,COLOR:BLACK.
- POWER PIN - COPPER ALLOY

2. FINISH :

POWER CONTACTS

- 0.76 MICROMETER MINIMUM GOLD (Au) AT CONTACT AREA AND 2.54 MICROMETER MINIMUM TIN AT SOLDER TAIL AREA OVER 1.27um MIN. NICKEL (Ni) UNDERPLATE.

3. PRODUCT SPECIFICATION: PS-87633-006.

△4 COMPONENT STAY AWAY ZONE FROM CONNECTOR.

△5 PCB NOTE FOR DIAMETER 1.02/.040 PLATED HOLE.

- DRILLED HOLE SIZE IS 1.151/.0453

- PLATE WITH 0.007/.0003 MINIMUM TIN OVER 0.03/.001

TO 0.08/.003 COPPER PLATING TO ACHIEVE 1.02±0.08/.040±.003 HOLE.

SEE SHEET 2 FOR RECOMMENDED PCB LAYOUT.

△6 MANUFACTURER LOGO,PART NUMBER AND YEAR-WEEK CODE.

7. 7 POWER CIRCUIT CONFIGURATION IS SHOWN FOR ILLUSTRATION.

△8 IMAGINARY LINE & DIMENSION TO POSITION AND PROVIDE CONNECTOR ORIENTATION W.R.T. PCB LAYOUT.

| REVISED | EC NO: S2014-0060 | DRW:SKANG | CHKD:MLONG | APPR:MLONG | DESCRIPTION | QUALITY SYMBOLS | GENERAL TOLERANCES (UNLESS SPECIFIED) | | DIMENSION STYLE | | SCALE | DESIGN UNITS | THIRD ANGLE PROJECTION | | |
|---------|-------------------|-----------|------------|------------|-------------|-----------------|--|--------|-----------------|--------------|--------------|---|---|---------------------|--|
| | | | | | | | mm | INCH | MM/IN | NTS | METRIC | DATE | DATE | TITLE | |
| | | | | | | $F_A=0$ | 4 PLACES | ± --- | ± --- | DRAWN BY | DATE | POWER CONN. RECEPTACLE ALL POWER CONFIGURATION VERTICAL PRESS-FIT | molex | SHEET NO. 2 OF 2 | |
| | | | | | | $F_E=0$ | 3 PLACES | ± --- | ± --- | CHECKED BY | DATE | | | | |
| | | | | | | $F_B=0$ | 2 PLACES | ± 0.13 | ± --- | APPROVED BY | DATE | | | | |
| | | | | | | | 1 PLACE | ± 0.25 | ± --- | SKTOH | 2002/10/30 | | | | |
| | | | | | | | 0 PLACE | ± | ± | MATERIAL NO. | DOCUMENT NO. | SD-87691-010 | | | |
| | | | | | | | ANGULAR ± 3 ° | | | SEE TABLE | | | THIS DRAWING CONTAINS INFORMATION THAT IS PROPRIETARY TO MOLEX INCORPORATED AND SHOULD NOT BE USED WITHOUT WRITTEN PERMISSION | | |
| | | | | | | | DRAFT WHERE APPLICABLE MUST REMAIN WITHIN DIMENSIONS | | | | | | | | |