

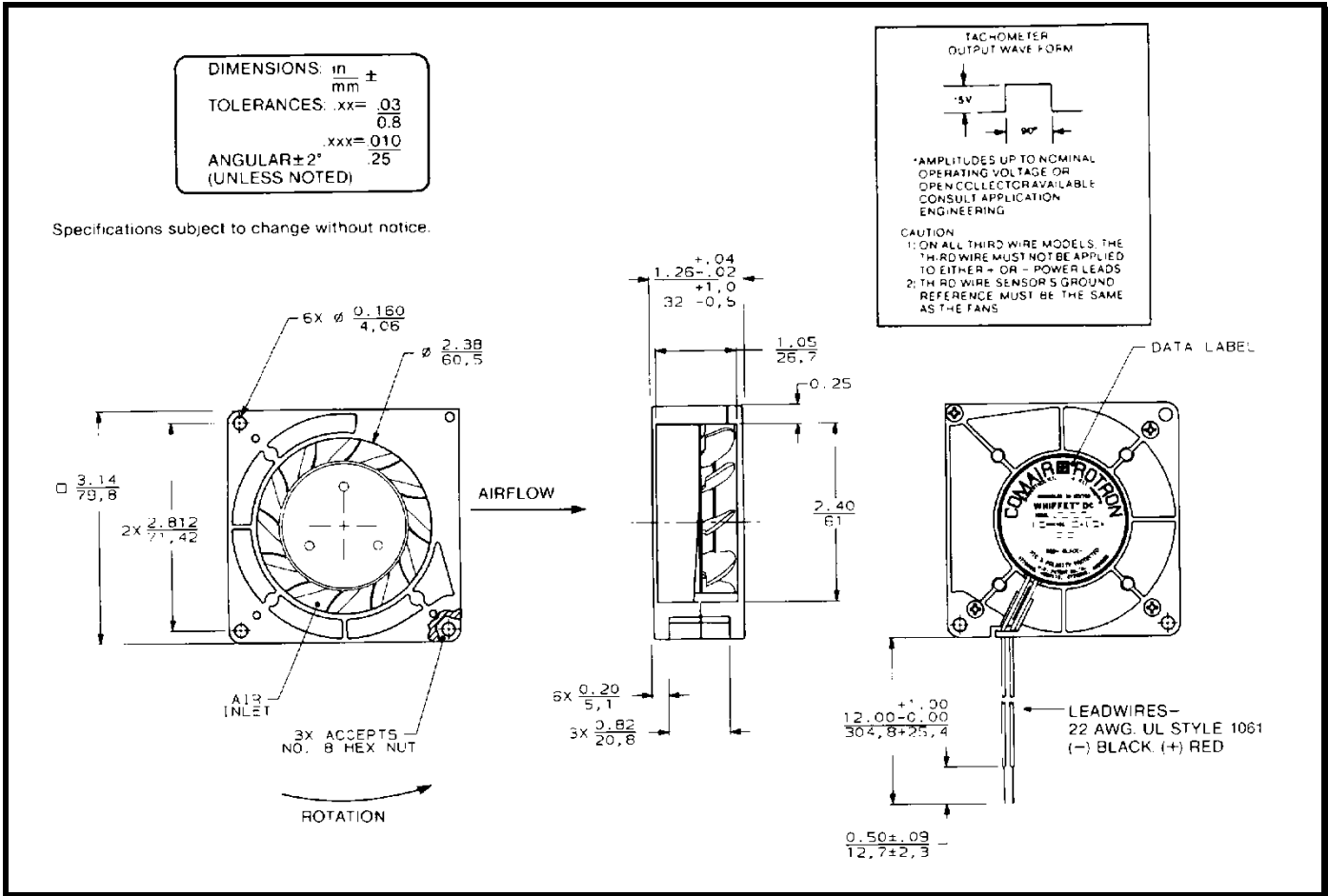
# SPECIFICATIONS



**Model Number:** WT24B3  
**Part Number:** 19031102A

January 26, 2004

## Mechanical Drawing:



**Motor:**

Nominal Voltage	= 24 vdc
Operating Voltage Range	= 12 - 28 vdc
Nominal Running Current	= 0.200 amps
Max. Locked Rotor Current	= 0.630 amps
Running Power	= 4.8 watts
Average Speed	= 4050 RPM
Bearings	= Ball
Air Flow	= 15 CFM
Acoustic	= 51.4 dBA

**Construction:**  
 Venturi: Plastic, Black, UL 94V-0  
 Propeller: Plastic, Black, UL 94V-0

**Life Expectancy:**  
 This fan is designed for continuous duty life of 80,000 hours at 25°C.

**Additional Features:**

- Brushless DC Motor
- Locked Rotor Protection
- Polarity Protected
- Automatic Restart Capability
- Operating Temperature: -10°C to 70°C
- Storage Temperature: -40°C to 85°C

**Termination:**  
 12" Lead wires, AWG 22, UL 1061  
 Red = Power (+)  
 Black = Return (-)

**Agency Approvals:**  
 UL, cUL, CE