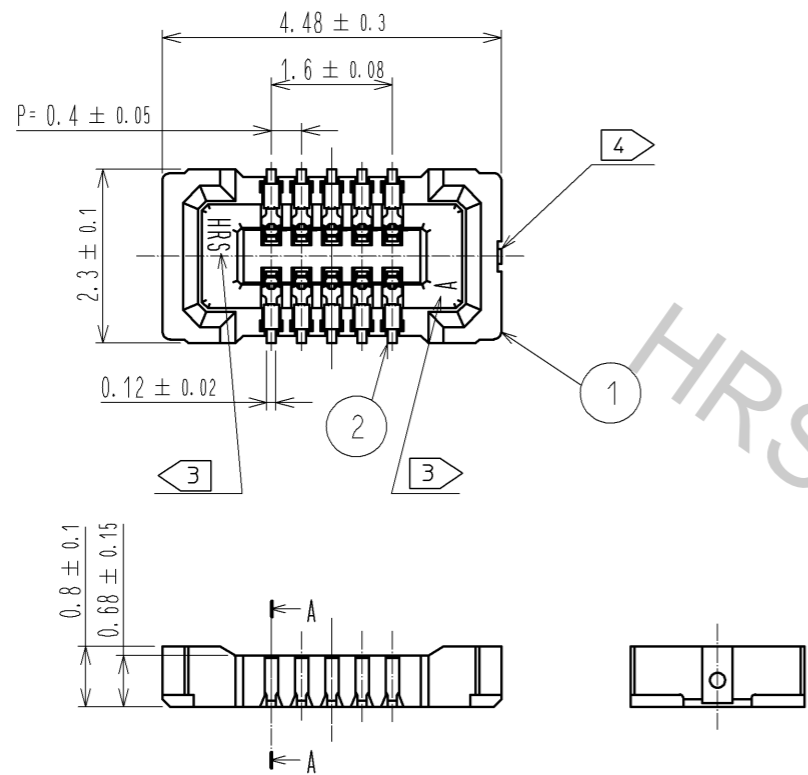
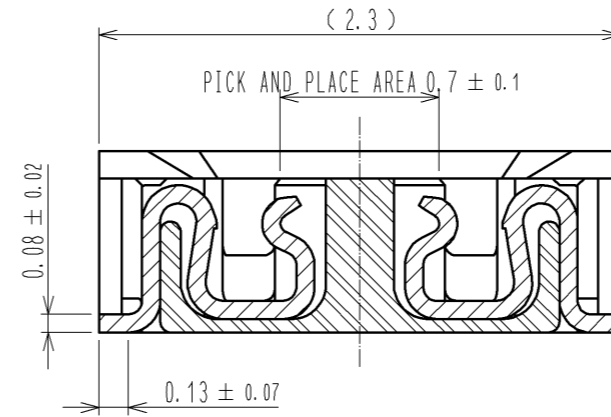


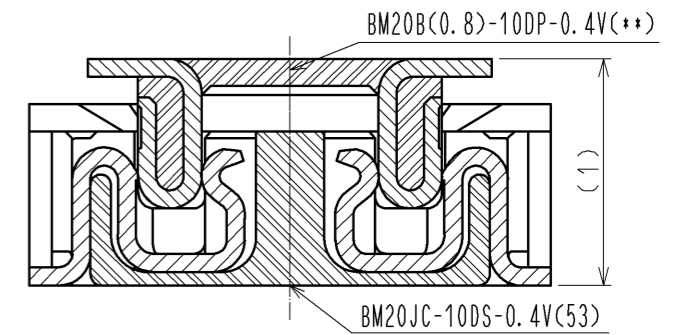
Apr.1.2017 Copyright 2017 HIROSE ELECTRIC CO., LTD. All Rights Reserved.



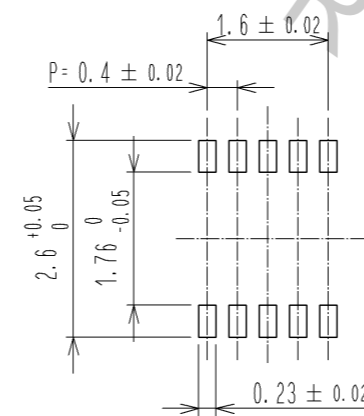
A-A(FREE)



ENGAGEMENT FIGURE (FREE)

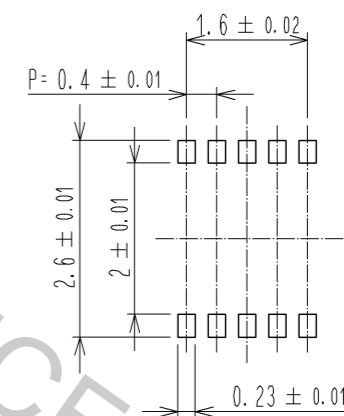


◆ RECOMMENDED PCB LAYOUT



◆ RECOMMENDED METAL MASK DIMENSIONS

METAL MASK THICKNESS: 100 μm



NOTE 1 . ALL LEAD CO-PLANARITY SHALL BE 0.08mm MAX

2 CONTACT PLATING SPECIFICATIONS

CONTACT AREA : GOLD 0.05 μm MIN

SMT LEAD : GOLD 0.05 μm MIN

UNDERPLATING : NICKEL 1 μm MIN

( SURFACE : SEALING )

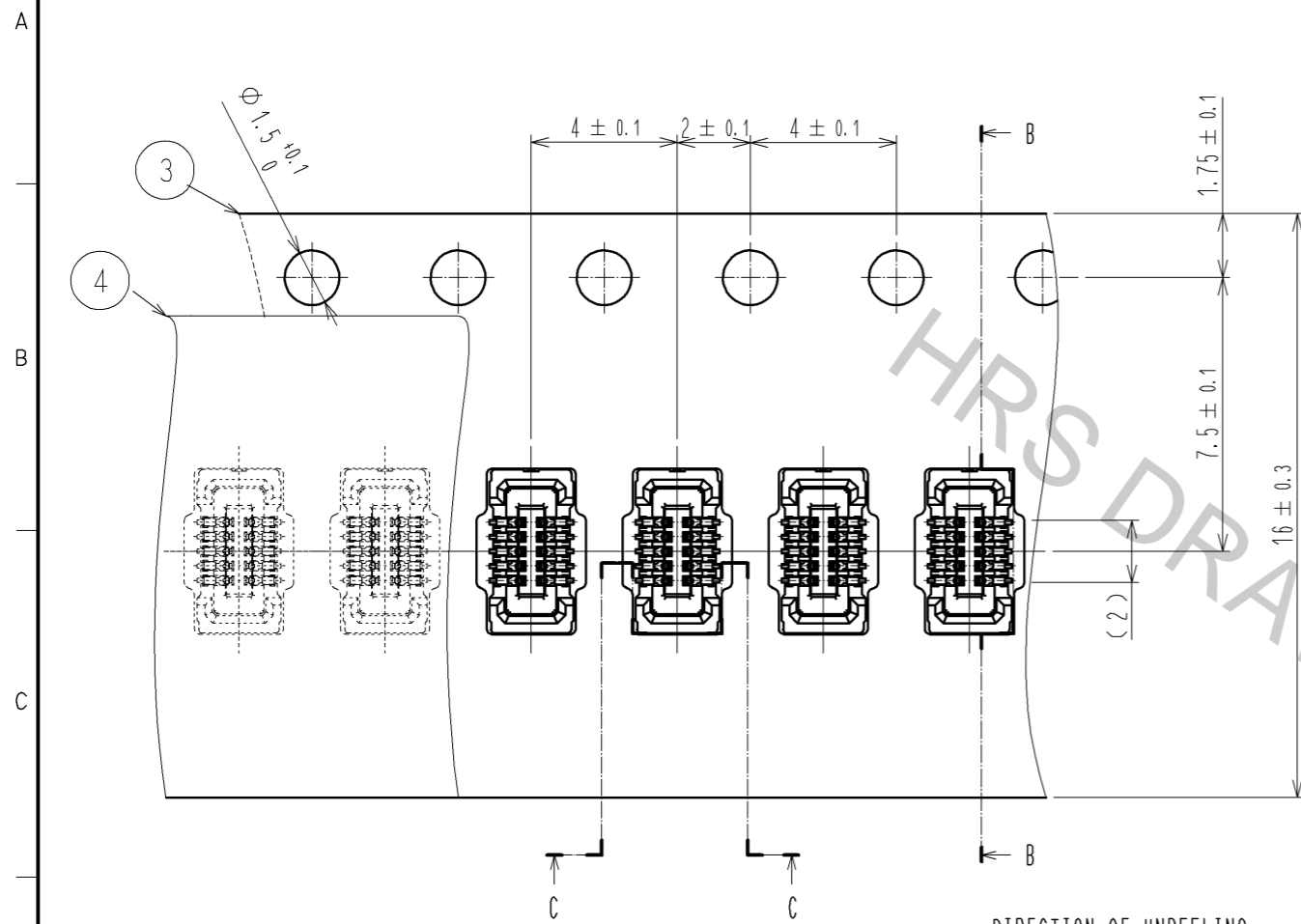
3 HRS MARK AND CAV NO. ARE INDICATED IN APPROX POSITION SHOWN.

4 GATE POSITION IS INDICATED IN APPROX POSITION SHOWN.

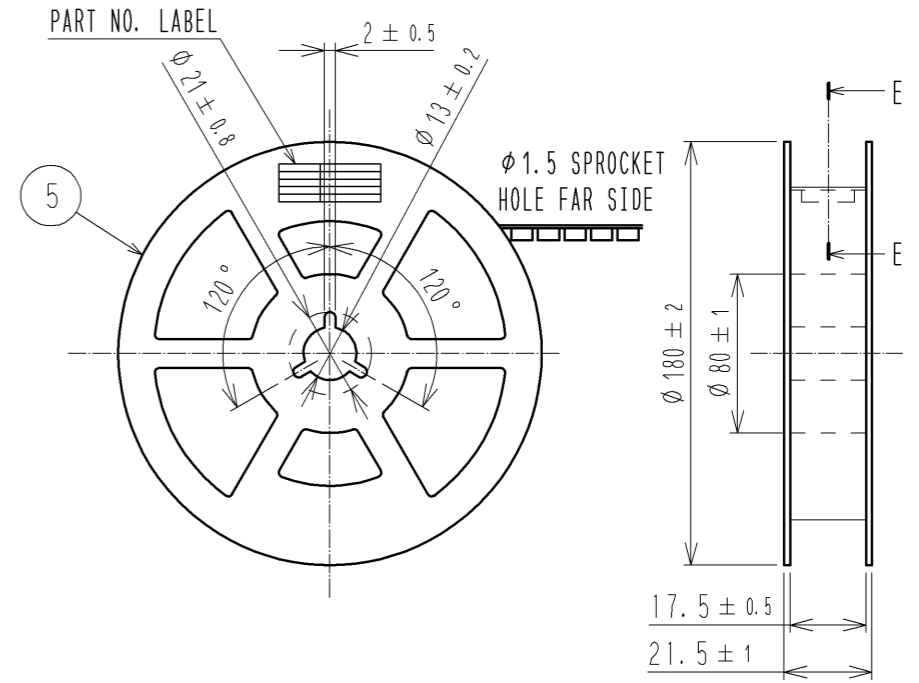
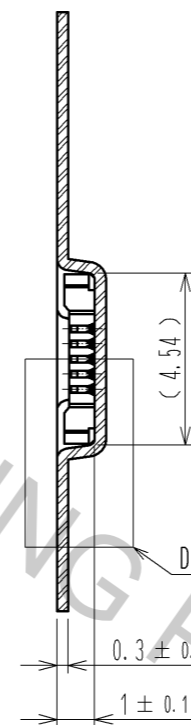
3	PS	CLEAR (EMBOSSED CARRIER TAPE)	6	PS	CLEAR (REINFORCEMENT COLLAR)
2	PHOSPHOR BRONZE	2	5	PS	BLACK (PLASTIC REEL)
1	LCP	UL94 V-0, BLACK	4	POLYESTER	CLEAR (COVER TAPE)
NO.	MATERIAL	FINISH, REMARKS	NO.	MATERIAL	FINISH, REMARKS
UNITS mm		SCALE 10:1	COUNT △	DESCRIPTION OF REVISIONS	DESIGNED
<b>HRS</b> HIROSE ELECTRIC CO., LTD.		APPROVED : MO. ISHIDA	14.08.25	DRAWING NO.	EDC3-343755-01
		CHECKED : TS. MIYAZAKI	14.08.25	PART NO.	BM20JC-10DS-0.4V(53)
		DESIGNED : RT. SHIMIZU	14.08.25	CODE NO.	CL684-9021-2-53
		DRAWN : KR. AJITO	14.08.25		△ 1/2

EMBOSED CARRIER TAPE PACKAGING (5:1)

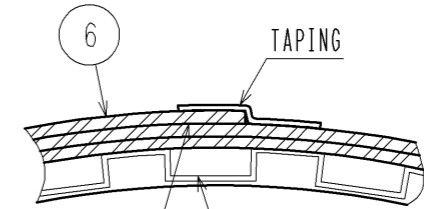
STYLE AND DIMENSION OF REEL (FREE)



B-B (5:1)



E-E (FREE)

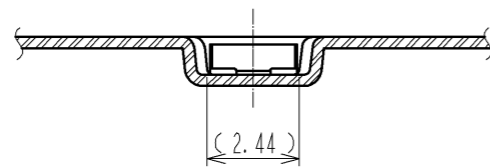


8 REINFORCEMENT COLLAR TAPE AND REEL POCKET

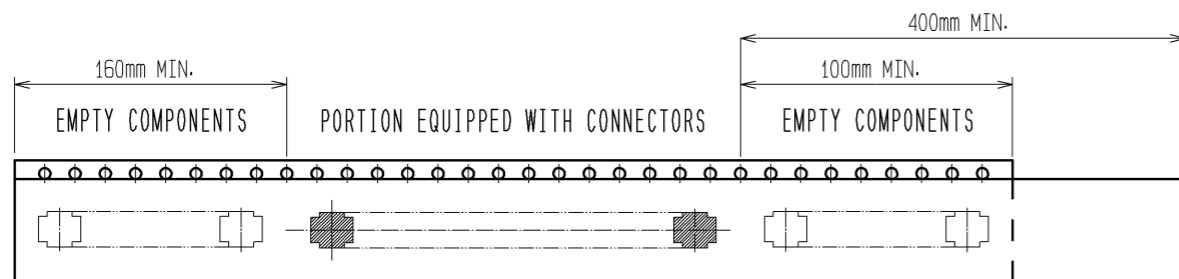
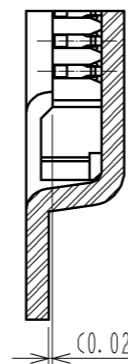
DETAIL OF PART NO. LABEL

製造年月日	** ** *
製品コード	CL0684-9021-2-53
製品名	BM20JC-10DS-0.4V(53)
数量	1,000
納入者	ヒロセ電機(株)

C-C (5:1)



D(10:1)



TRAILER

7 TAPING(FREE)

LEADER

- 5. PER REEL 1000 CONNECTORS.
- 6. THE DIMENSIONS IN PARENTHESES ARE FOR REFERENCE.
- 7. REFER TO JIS C 0806(IEC 60286-3)(PACKAGING OF COMPONENTS FOR AUTOMATIC HANDLING)
- 8. AFTER PACKAGING, ROLL 2 METERS OF THE REINFORCEMENT COLLAR TO OUTER CIRCUMFERENCE OF TAPE AND REEL POCKET, AND TAPE DOWN AT THE END THE COLLAR.

<b>HRS</b>	DRAWING NO.	EDC3-343755-01
	PART NO.	BM20JC-10DS-0.4V(53)
	CODE NO.	CL684-9021-2-53
		△ 2/2