

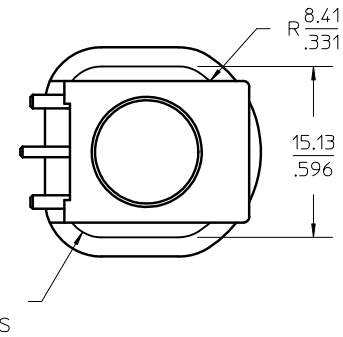
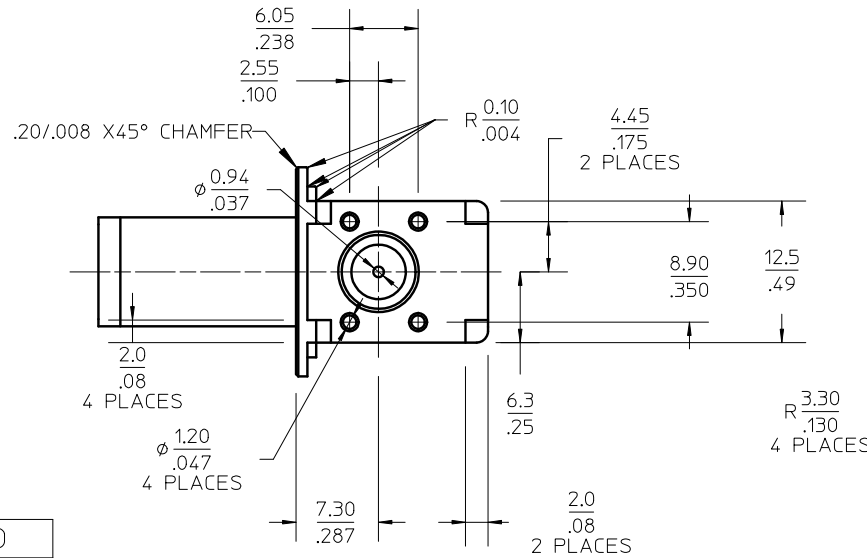
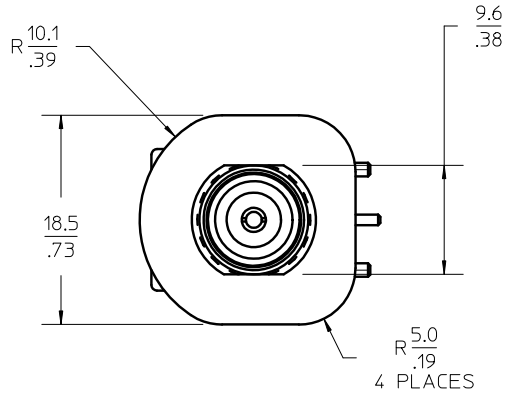
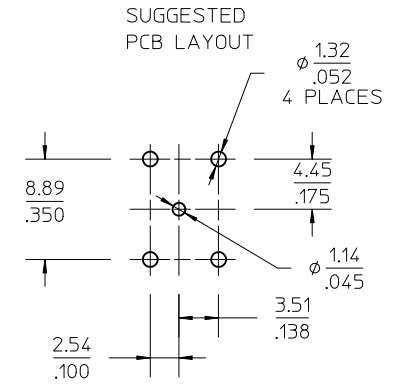
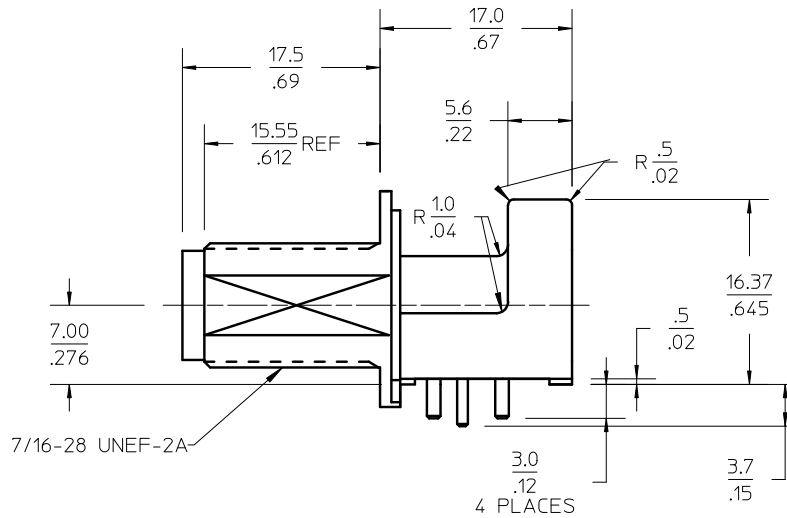
MATERIALS AND FINISHES:

BODY ZINC
PLATED NICKEL

CENTER CONDUCTOR PHOSPHOR BRONZE
& BRASS PLATED GOLD

INSULATORS TEFLON

MOUNTING POSTS BRASS
PLATED TIN



PART #73216-0120

ES-73599-0000-002	TNC INTERFACE STANDARD
PS-89675-1430	ELECTRO/MECH SPECIFICATION
SPECIFICATION	DESCRIPTION

CHG: LOADED INTO WORK MANAGER. PLATING ON POSTS WAS SN/PB. EC NO: URF2005-0462 DRWN:ROBERTSON 2005/04/27 CHKD:SSHAH 2005/04/27 APPR: JWIENER 2005/04/28	QUALITY SYMBOLS	GENERAL TOLERANCES (UNLESS SPECIFIED)	DIMENSION STYLE	SCALE	DESIGN UNITS	THIRD ANGLE PROJECTION	
	▼=0 ◻=0	mm INCH	MM/IN	---	METRIC	☉ □	
		4 PLACES ± --- ± --- 3 PLACES ± --- ± --- 2 PLACES ± --- ± --- 1 PLACE ± --- ± ---	DRAWN BY DATE EDC 1998/05/01	TITLE	TNC, JACK, R/A PCB 50 OHM TNC-J/PCB		
		ANGULAR ±1/2°	CHECKED BY DATE DHG 1998/05/26	MOLEX INCORPORATED			
	DRAFT WHERE APPLICABLE MUST REMAIN WITHIN DIMENSIONS	APPROVED BY DATE GMH 1998/05/27	MATERIAL NO. 732160120	DOCUMENT NO. SD-73216-012	SHEET NO. 1 OF 1		