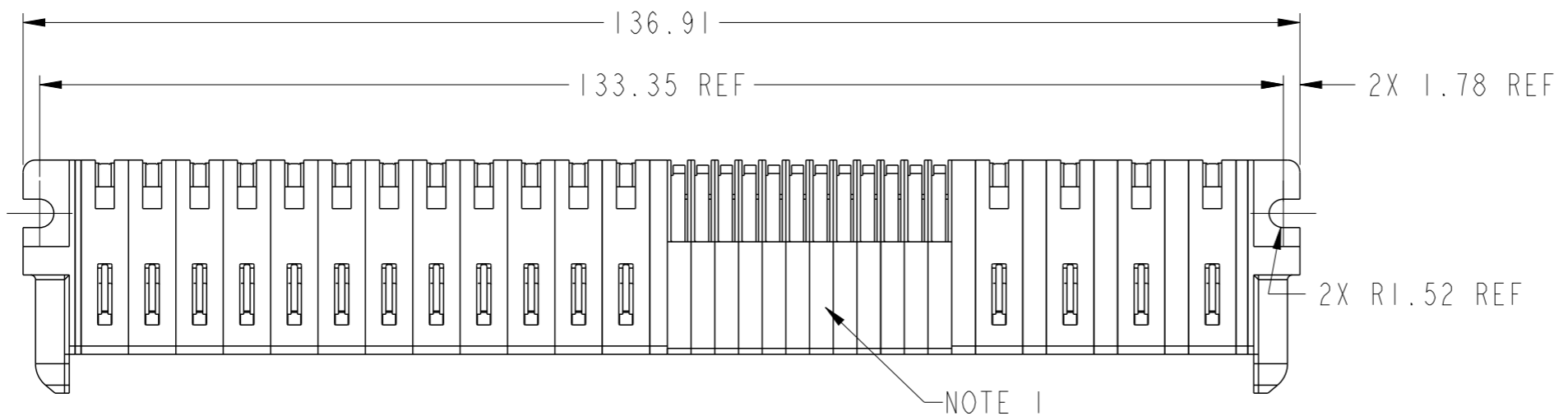
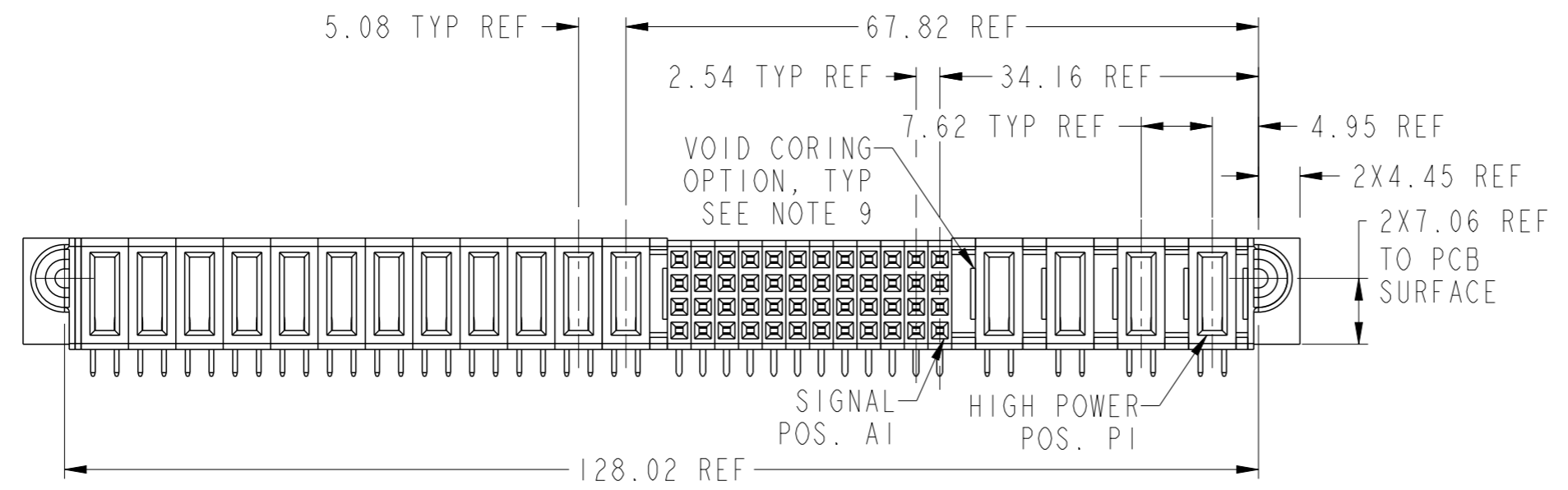


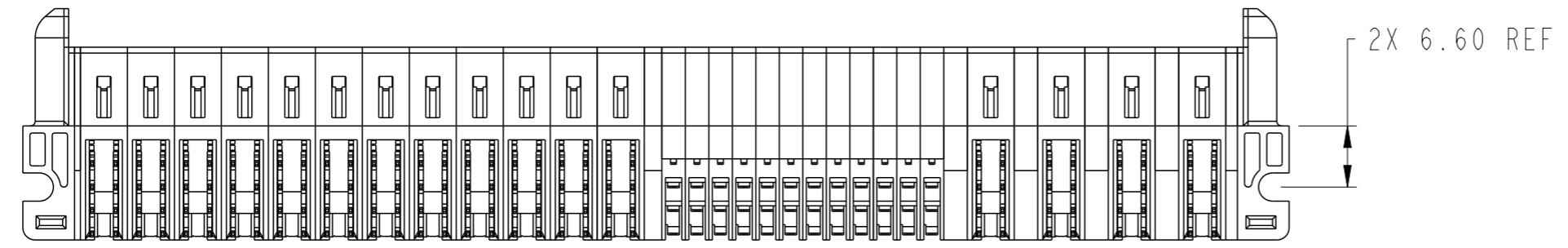
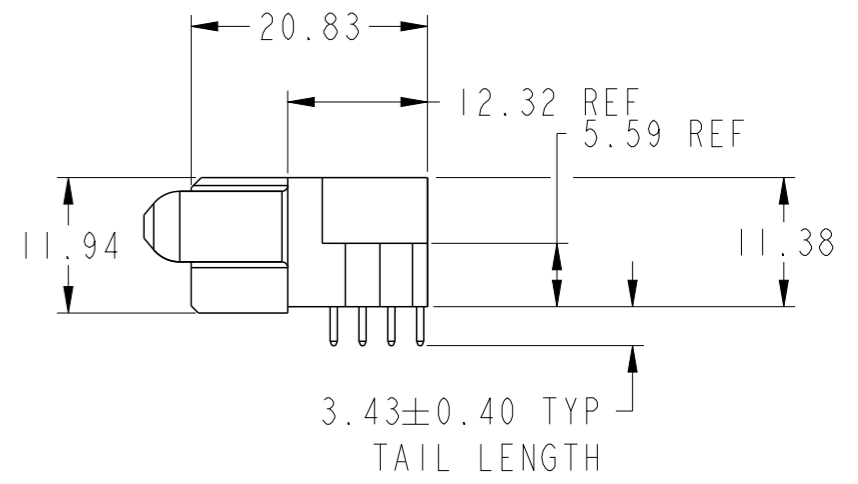
PRODUCT NUMBER SEE SHEET 2



NOTE 1

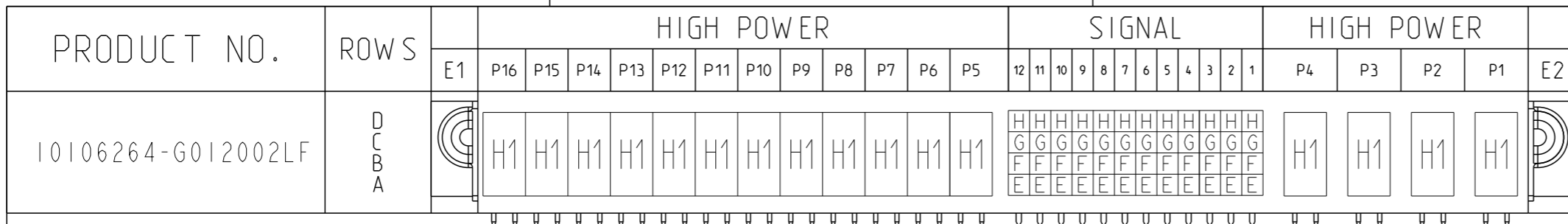


VOID CORING
OPTION, TYP
SEE NOTE 9

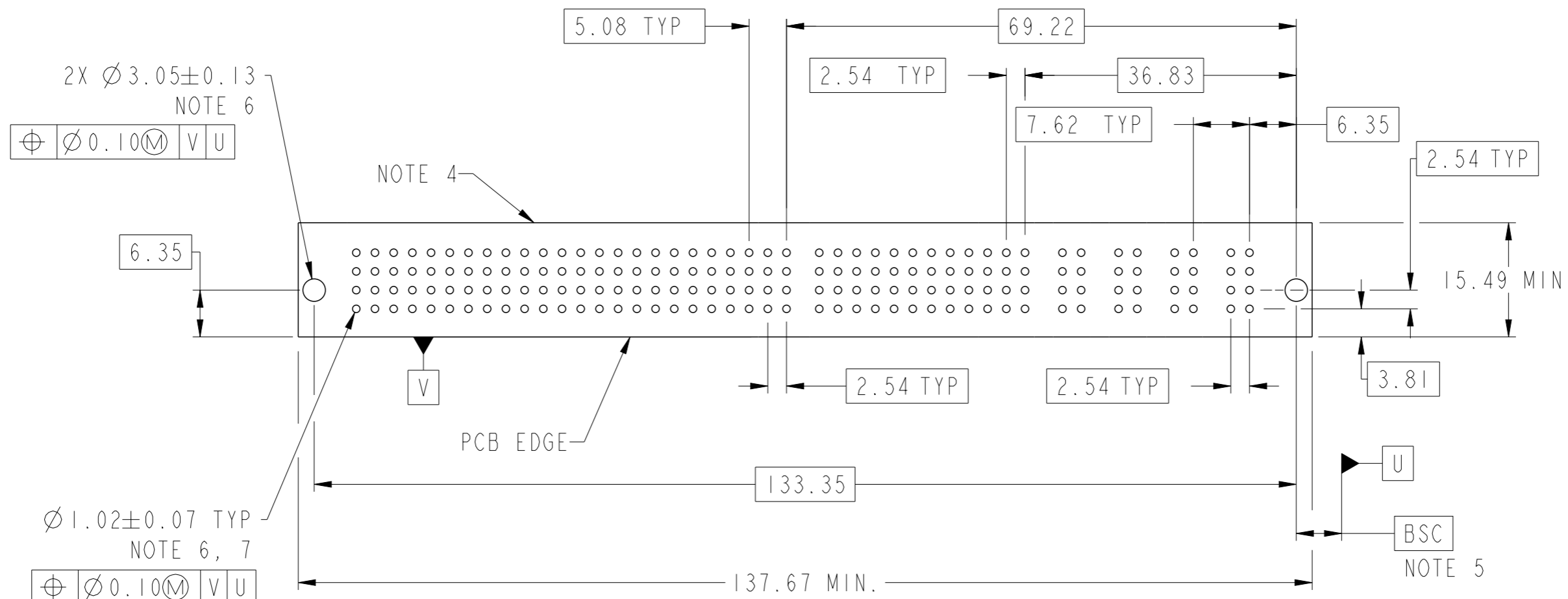


Copyright FCI.

| | | | | | | | | | | |
|---------------------------------------|--|-------------|----------------|------------|------------------------|----|---------------------------------------|--|----------------------------|----------|
| spec ref | * | dr | Eddy Zeng | 2013/11/21 | projection | MM | size | A3 | scale | 3:2 |
| tolerance std | ASME Y14.5 | eng | Eddy Zeng | 2013/11/26 | | | ecn no | - | rel level | Released |
| TOLERANCES UNLESS OTHERWISE SPECIFIED | | chr | Li-He | 2013/11/26 | | | | | | |
| surface | <input checked="" type="checkbox"/> linear <input type="checkbox"/> angular | appr | Pei-Ming Zheng | 2013/11/26 | | | 0.X ±0.5 0.XX ±0.25 0.XXX ±0.10 | title 4ACP + 48S + 12HDP RA STB RECEPTACLE | dwg no 10106264-G012002 | rev A |
| ASME Y14.5 | 0° ±2° | www.fci.com | | cat. no. | Product - Customer Drw | | sheet 1 of 3 | | | |



| CODE | DESCRIPTION |
|------|-------------------------------|
| E | STD SIGNAL CONTACT, ROW A |
| F | STD SIGNAL CONTACT, ROW B |
| G | STD SIGNAL CONTACT, ROW C |
| H | STD SIGNAL CONTACT, ROW D |
| HI | MFBL HIGH POWER CONTACT(3.43) |



Copyright FCI.

| | | | | | | | | |
|-------------|----------------|------------|------------------------|-----------|--------------|----|------------------|-----|
| dr | Eddy Zeng | 2013/11/21 | projection | MM | size | A3 | scale | 3:2 |
| eng | Eddy Zeng | 2013/11/26 | | | ecn no | | - | |
| chr | Li-He | 2013/11/26 | | | rel level | | Released | |
| appr | Pei-Ming Zheng | 2013/11/26 | product family | PwrBlade+ | | | | |
| | | | 4ACP + 48S + 12HDP | | dwg no | | 10106264-G012002 | |
| www.fci.com | | | RA STB RECEPTACLE | | rev | | A | |
| cat. no. | | | Product - Customer Drw | | sheet 2 of 3 | | | |

NOTES:

- 1) "FCI", PART NUMBER AND DATE CODE TO BE MARKED ON THIS SURFACE.
THE MARK CAN BE OMITTED IF THERE IS NOT ENOUGH SPACE ON THIS SURFACE.
- 2) MATERIALS:
-HOUSING - GLASS FILLED WITH HIGH TEMP THERMOPLASTIC, UL94V-0.
-SIGNAL CONTACT - COPPER ALLOY.
-POWER CONTACT - HIGH CONDUCTIVITY COPPER ALLOY.
- 3) PLATING SPECIFICATION REFER TO FCI 10116351
- 4) DENOTES CONNECTOR KEEP OUT ZONE.
- 5) DATUM AND BASIC DIMENIONS WERE ESTABLISHED BY CUSTOMER.
- 6) ALL HOLE DIAMETERS ARE FINISHED HOLE SIZES.
- 7) 1.15 ± 0.025 MM DRILLED HOLE PLATED WITH 0.00762MM MIN Sn
OVER 0.0254-0.0762MM Cu PLATING TO ACHIEVE A 1.02 ± 0.07 MM HOLE.
- 8) PRODUCT SPECIFICATION REFER TO FCI GS-12-658.
APPLICATION SPECIFICATION REFER TO FCI GS-20-141.
PRODUCT PACKAGED IN TRAYS, REFER TO FCI GS-14-1502.
- 9) THE VOID CORING IN BETWEEN POWER MODULES, SIGNAL
MODULES AND END MODULES ARE OPTIONAL AND THE SHAPE
MAY BE DIFFERENT FOR OPTIMIZE THE MOLDING PROCESS. THE
VOID CORING WILL NOT EFFECT TO PRODUCT FUNCTION.



Copyright FCI.

| | | | | | | | | |
|-------------|----------------|--|------------------------|-----------|----------------------------|----------|-------|-----|
| dr | Eddy Zeng | 2013/11/21 | projection | MM | size | A3 | scale | 3:2 |
| eng | Eddy Zeng | 2013/11/26 | | | ecn no | - | | |
| chr | Li-He | 2013/11/26 | | | rel level | Released | | |
| appr | Pei-Ming Zheng | 2013/11/26 | product family | PwrBlade+ | | | | |
| | | title 4ACP + 48S + 12HDP RA STB RECEPTACLE | | | dwg no 10106264-G012002 | rev A | | |
| www.fci.com | | cat. no. | Product - Customer Drw | | sheet 3 of 3 | | | |