

ABSOLUTE MAXIMUM RATINGS AT 25°C AMBIENT

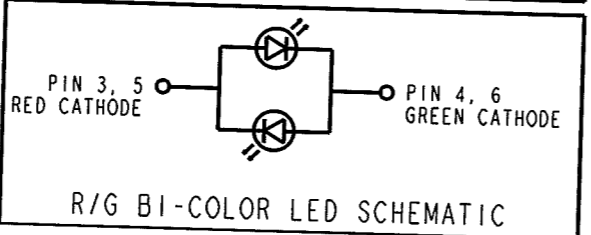
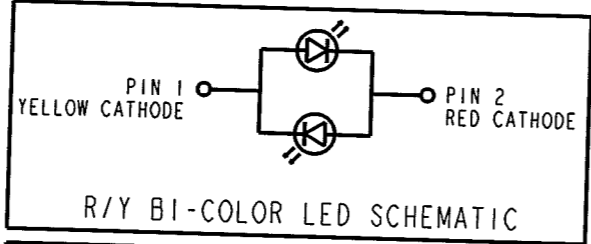
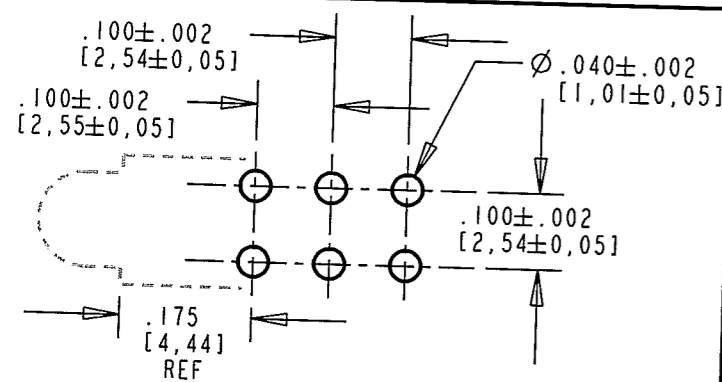
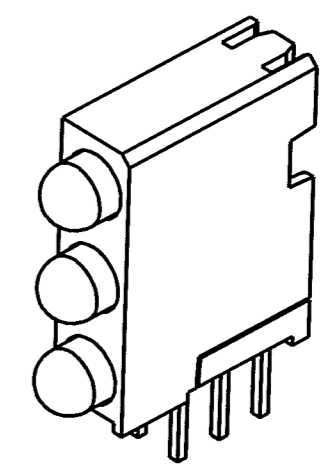
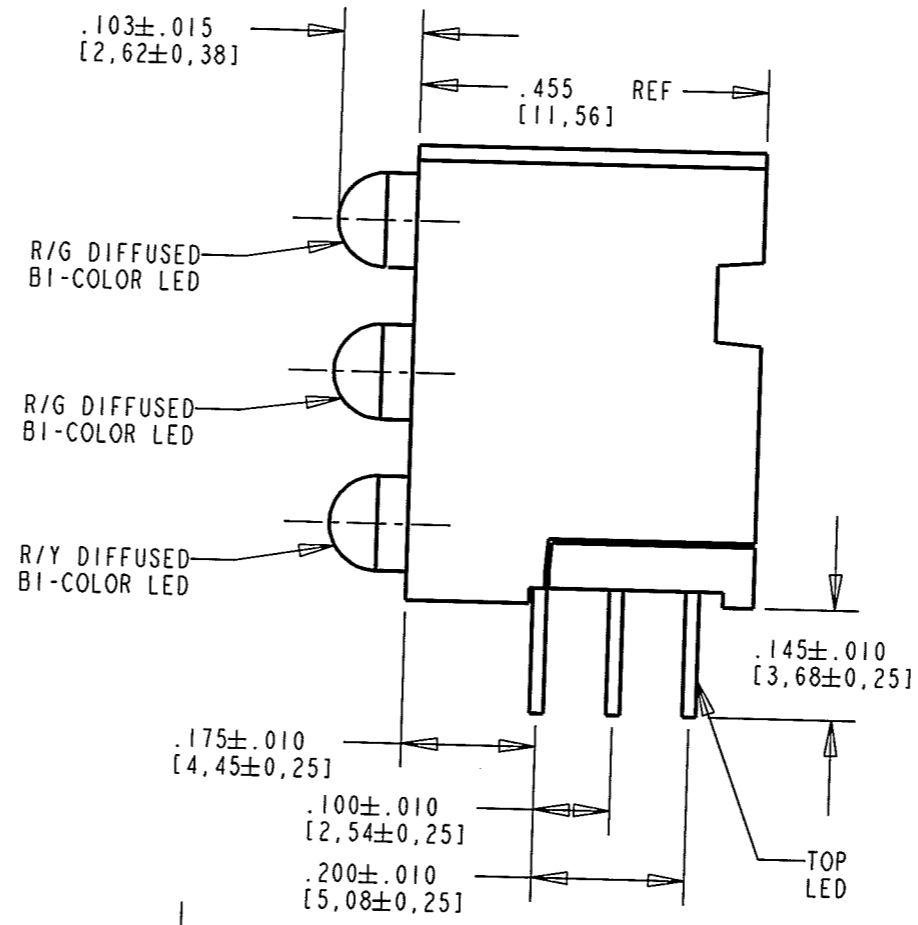
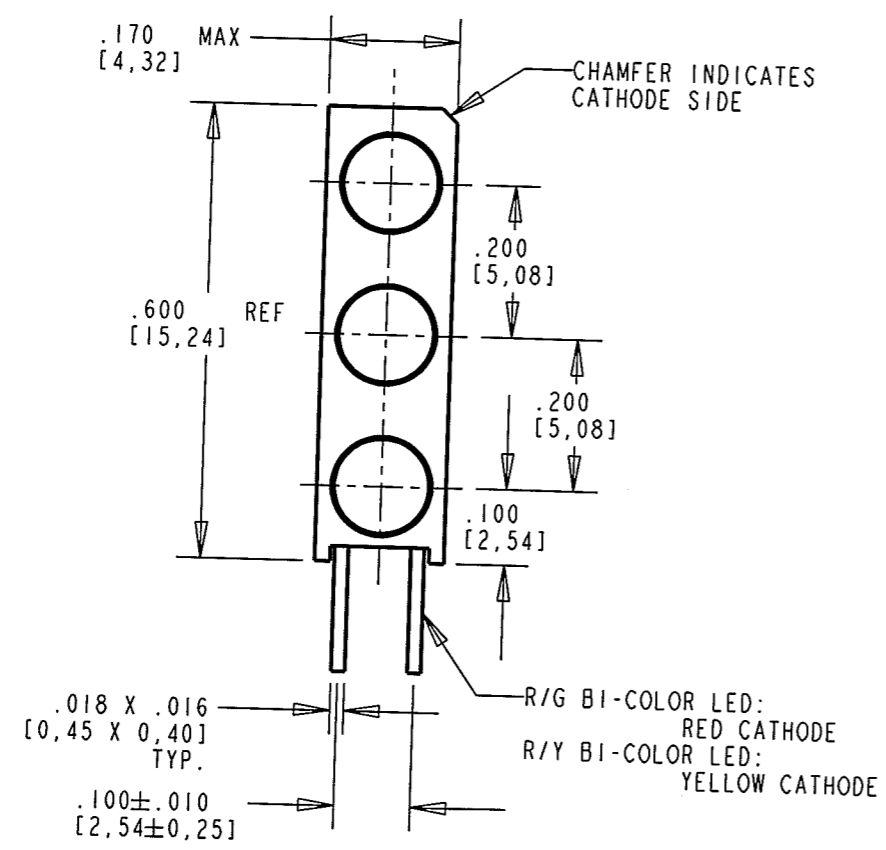
	R/G BI-COLOR		R/Y BI-COLOR		UNITS
	RED	GREEN	RED	YELLOW	
POWER DISSIPATION	100	100	100	60	mW
CONTINUOUS FORWARD CURRENT	30	30	30	20	mA
PEAK FORWARD CURRENT (1/10 DUTY CYCLE, 10 ms PULSE WIDTH)	120	120	120	80	mA
DERATE LINEARLY FROM 50°C	.40	.40	.40	.25	mA/°C
REVERSE VOLTAGE	5	—			V
STORAGE TEMPERATURE	-55 TO +100				°C
OPERATING TEMPERATURE	-55 TO +100				°C
SOLDERING TEMPERATURE, 1/16" FROM BODY FOR 5 SEC	260				°C

REV	ECN NO	REVISIONS	DRN	CKD	APP	DATE
A	—	NEW RELEASE	KLJ	7/8/08		2/1/08

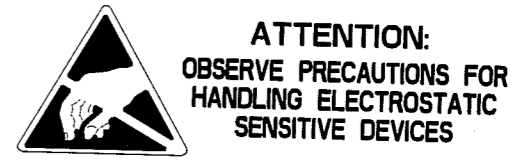
RoHS COMPLIANT 564-0700-824F

Part Numbers with the "F" suffix ending are RoHS Compliant. Packaging is marked with "RoHS Compliant" label or equivalent markings. Parts can be wave soldered, dip soldered or hand soldered using typical lead-free soldering process with max 260°C temp. for 5 sec.

OPERATING CHARACTERISTICS AT 25°C AMBIENT										
LED	COLOR	LUMINOUS INTENSITY @I _F = 10 mA FOR R/G @I _F = 20 mA FOR R/Y (mcd)			FORWARD VOLTAGE @I _F = 20 mA (V)			REVERSE CURRENT (mA)	PEAK WAVELENGTH (nm)	VIEWING ANGLE (DEG)
		MIN	TYP	MAX	MIN	TYP	MAX	MAX	TYP	TYP
R/G DIFFUSED BI-COLOR LED	RED	2.5	4.7	—	—	2.0	2.8	100	635	60
	GREEN	3.7	10.0	—	—	2.1	2.8		565	
R/Y DIFFUSED BI-COLOR LED	RED	1.7	5.6	—	—	2.0	2.8	—	630	80
	YELLOW	1.7	5.6	—	—	2.1	2.8		585	



- NOTES:
- LED LEAD DIMENSIONS SHOWN ARE MEASURED AT HOUSING EXIT.
 - LEADS TO FIT INTO HOLES SPACED AS PER PATTERN.
 - PIN NUMBERS FOR REFERENCE ONLY, DESIGNATION NON-EXISTENT ON PART.
 - DIALIGHT PART NUMBERS: 564-0700-824F.
 - THIS ASSEMBLY CONTAINS ELECTROSTATIC DISCHARGE SENSITIVE DEVICES (ESDS). MAINTAIN ALL PRECAUTIONARY MEASURES DURING ASSEMBLY, HANDLING, AND STORAGE IN ACCORDANCE WITH IPC-A-610.



THIS DRAWING AND THE CONTENTS HEREIN ARE CONFIDENTIAL AND THE SOLE PROPERTY OF DIALIGHT. REPRODUCTION OF THIS DRAWING OR CONSTRUCTION OF ANY PARTS WITHIN THIS DRAWING ARE FORBIDDEN WITHOUT THE WRITTEN CONSENT OF DIALIGHT.		
SCALE: DRAWING SCALE ALL DIM'S IN: INCHES (MM)	DRAWING NUMBER C-17592	REV A
TOLERANCES: UNLESS OTHERWISE SPECIFIED FRACTIONS: ±1/64 DECIMALS (.XX): ±.01 DECIMALS (.XXX): ±.005 DECIMALS (.XXXX): ±.0005 ANGLES: ±1°	TITLE 3mm TRI-LEVEL R/G, R/G, R/Y RoHS COMPLIANT	
FINISH:	MATERIAL	
FSCM 83330	Dialight 1501 ROUTE 34 SOUTH FARMINGDALE, NJ 07727	
SHEET 1 OF 1 FAMILY TABLE:		