

# Data Sheet



<b>Description:</b>	Suppression Choke SMD		<b>Page:</b>	1 / 3
<b>Customer drawing no.:</b>	N/A	<b>WE iBE drawing no.:</b>	110001450	
<b>Revision - index:</b>	N/A	<b>Revision - index:</b>	A	
			<b>Date:</b>	07.08.2015

## Product values:



## Mechanical Dimensions (in mm):

Spulenkörper darf nicht aufliegen.  
Abstand zwischen Anschlußbeinchen und Körper > 0,00 mm / max. 0,75 mm  
Distance between coil body and pcb > 0.0mm / max. 0.75mm

min. von Mitte Spule bis max. 45° DDL verzinkt  
DDL tinning min. middle of coil up to max. 45°

- Zeichnung nicht maßstabsgetreu, alle Maße in mm / Drawing not scaled, all dimensions in mm  
- Schließwindung nach Wahl des Herstellers / Closing turn according to suppliers choice  
- Schnittfläche der Beinchenenden unverzinkt (blank) / Cutting area of pins not tinned (bright)  
- Wickel-Mitnehmerabdruck ("Beißerkante") im Bereich der ersten Windung zulässig / Mark of winding hook in the area of first winding permissible

Drawing not true to scale

## Electrical parameter:

	@	Value	Tolerance	Unit	Test Condition
Inductance $L_0$ :	+20 °C	4.45	±20 %	µH	1 kHz / 1 V
Resistance $R_{DC}$ :	+20 °C	3.80	±20 %	mΩ	
Rated current $I_{DC}$ :		12.0*	max.	A	
L drop down 10 % $I_{sat}$ :		46.5	typical	A	$ \Delta L/L  < 10 \%$
Operating temperature:		-40 - +170		°C	including self heating

\* The specified rated current was measured under laboratory conditions, it might deteriorate due to unpredictable thermal influences of surrounding heat sources. A use without a sufficient heat sink may create excessive heat and could decline the insulation resistance. Do not use products without simulating the thermal conditions of the installations circumstances.

## General specification:

	min.	max.	
Storage temperature:	+10 °C	+40 °C	
Moisture sensitivity level (MSL):	1		
Remarks:	- Do not use the product beyond the rated current and rated voltage as this may create excessive heat to prevent smoke and/or burning etc. and deteriorate the insulation resistance.		

## Test condition:

Humidity:	33 %	
Ambient temperature:	+20 °C	
Measurement devices:	L	Agilent E4980A or equivalent
	$R_{DC}$	Burster 2316 or equivalent

## Customer:

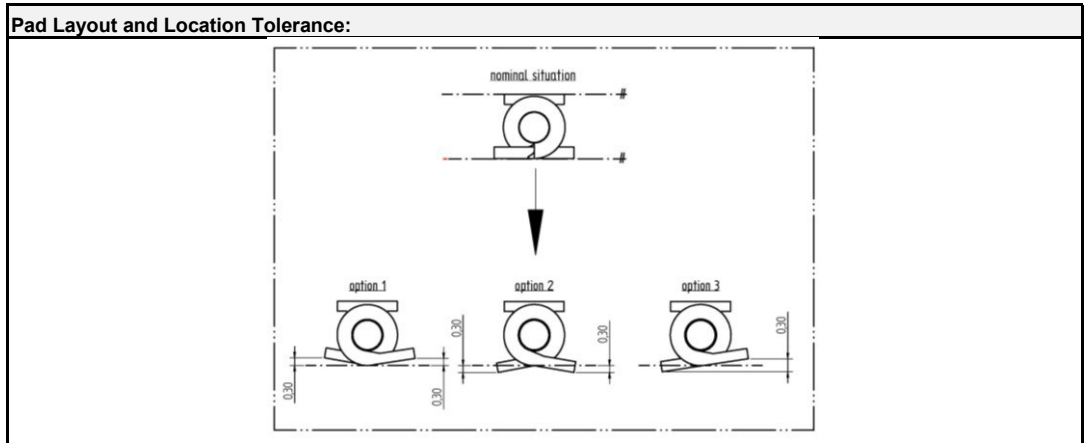
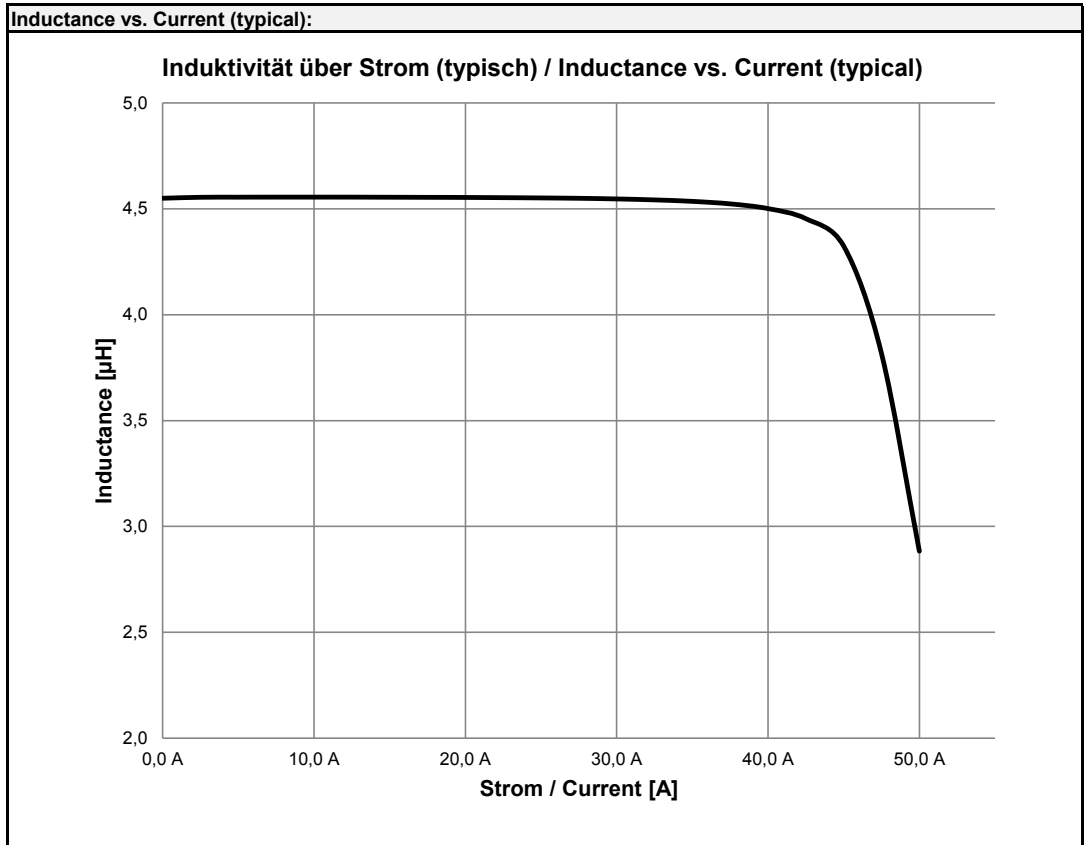
General release:

Date \_\_\_\_\_

Signature \_\_\_\_\_

<b>Description:</b>	Suppression Choke SMD	<b>Page:</b>	2 / 3
<b>Customer drawing no.:</b>	N/A	<b>WE iBE drawing no.:</b>	110001450
<b>Revision - index:</b>	N/A	<b>Revision - index:</b>	A

<b>Materials &amp; approvals:</b>	
<i>base material:</i>	MnZn
<i>Finishing terminal:</i>	SN100C
<i>Glueing:</i>	Core securely fixed into coil by adhesive
<i>Wire:</i>	CuL $\varnothing$ 1.5 mm DIN IEC 60317; wire endings stripped and tinned
<i>Applicable documents:</i>	ISM0100011 ISM0100010 IS60100013 IS60100002



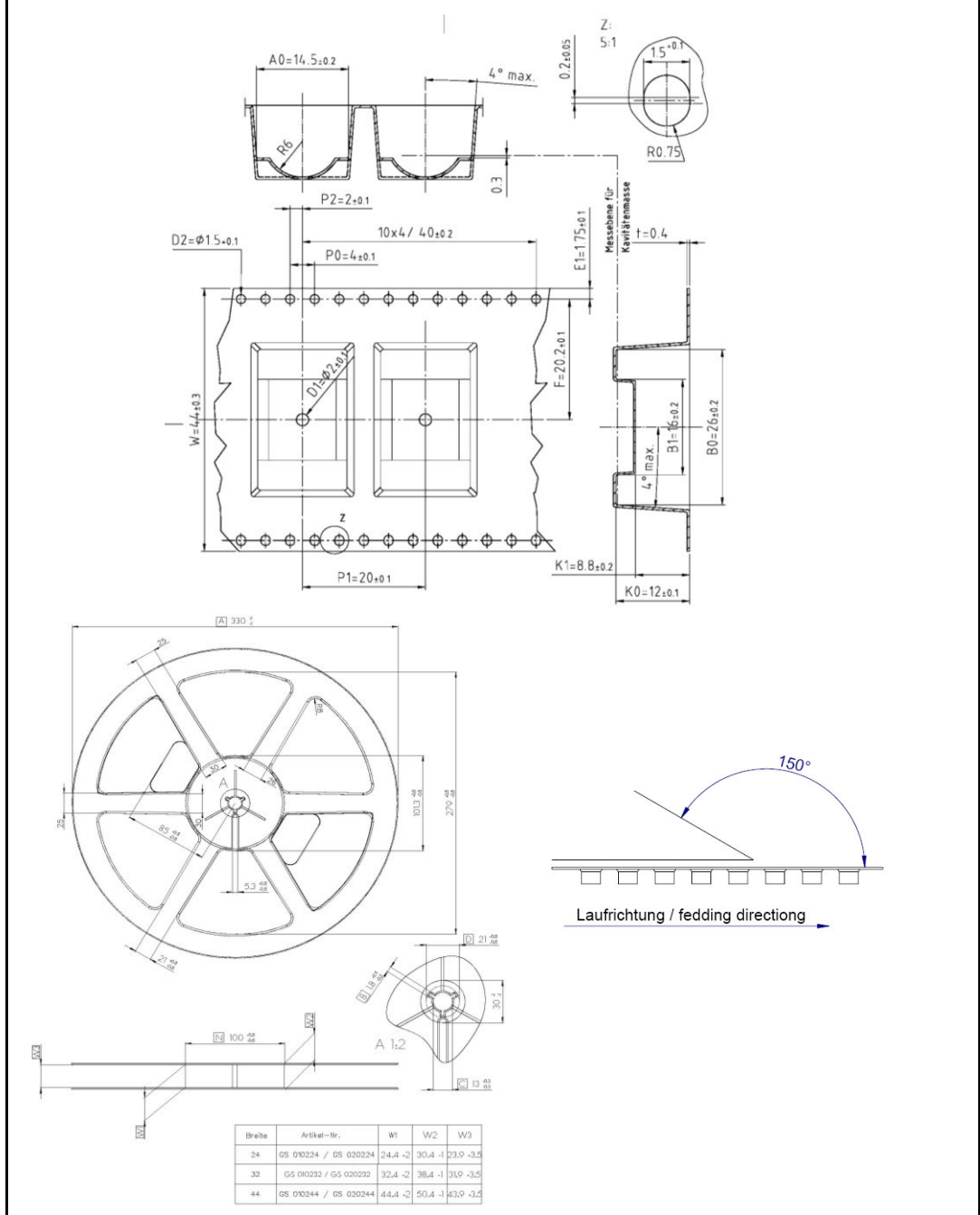
**Customer:**  
General release:

\_\_\_\_\_ Date

\_\_\_\_\_ Signature

<b>Description:</b>	Suppression Choke SMD	<b>Page:</b>	3 / 3
<b>Customer drawing no.:</b>	N/A	<b>WE iBE drawing no.:</b>	110001450
<b>Revision - index:</b>	N/A	<b>Revision - index:</b>	A

<b>Rollenspezifikation/ Packaging specification:</b>	
<b>Packaging:</b>	Tape and reel
<b>Tape Material:</b>	Plastic foil
<b>Quantity:</b>	220 pieces per reel
<b>Reel Size:</b>	330 mm



**Precautions:**  
 Although this product is designed for automotive applications and is qualified according AEC-Q 200 we ask you for submitting your application conditions for approval before ordering the product.

**Customer:**  
 General release:

Date \_\_\_\_\_

Signature \_\_\_\_\_