

# CGA6M1X8L1H335K200AC

TDK Item Description : CGA6M1X8L1H335KT\*\*\*\*



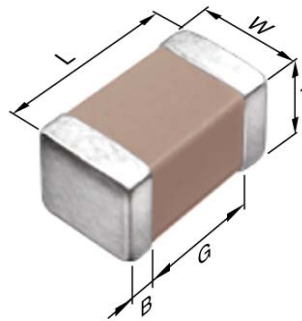
Equivalent C3225X8L1H335K for Automotive

## Application & Main Feature

Automotive Grade ( High Temperature Application ) )

## Series

CGA6(3225) [EIA 1210]



## Dimensions

L	3.20mm +/-0.4mm
W	2.50mm +/-0.3mm
T	2.00mm +/-0.2mm
B	0.20mm Min.
G	

## Temperature Characteristic

X8L (-55 to 150 degC +15,-40%)

## Rated Voltage

1H(50Vdc)

## Capacitance

3.3uF

## Capacitance Tolerance

K (+/-10%)

## Dissipation Factor

5% Max.

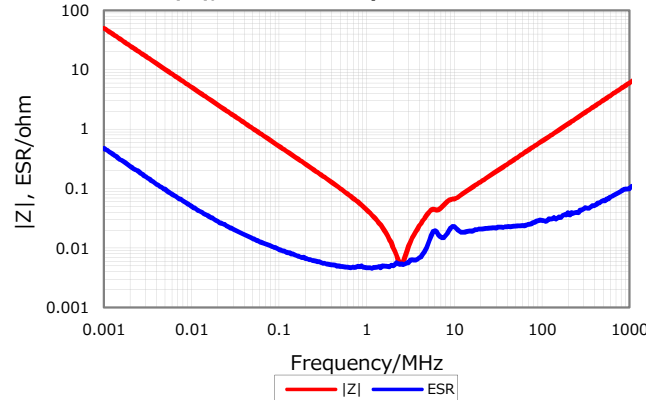
## Insulation Resistance

151Mohm Min.

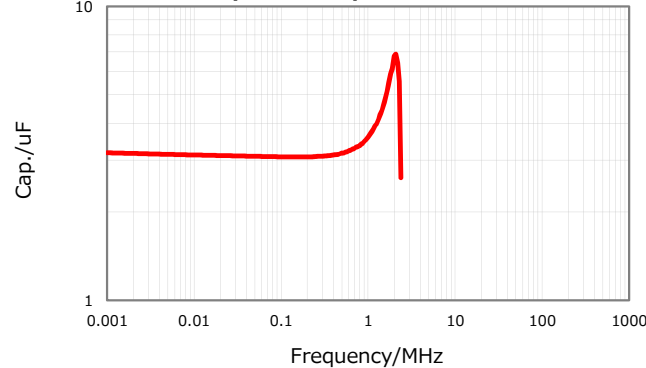
## AEC-Q200

Yes

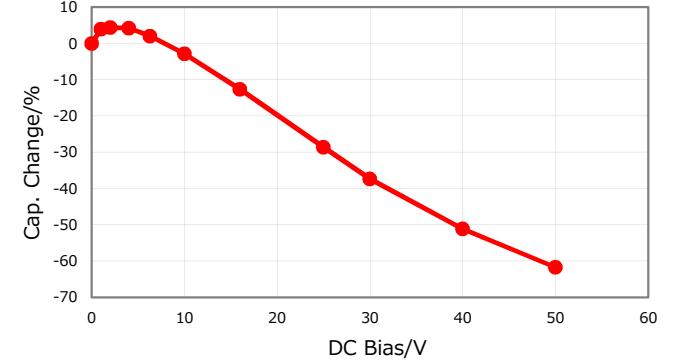
**|Z|, ESR vs. Freq. Characteristics**



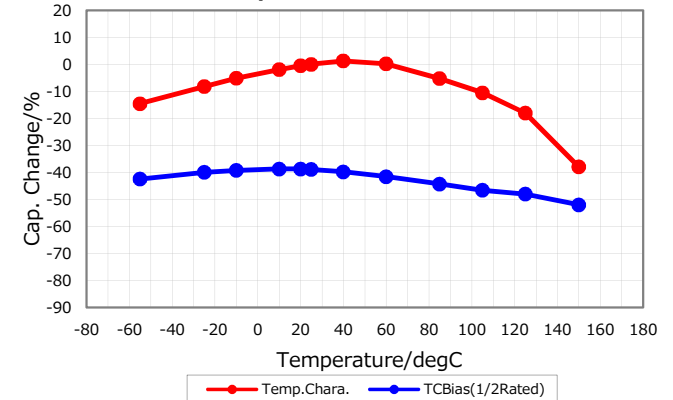
**Cap. vs. Freq. Characteristic**



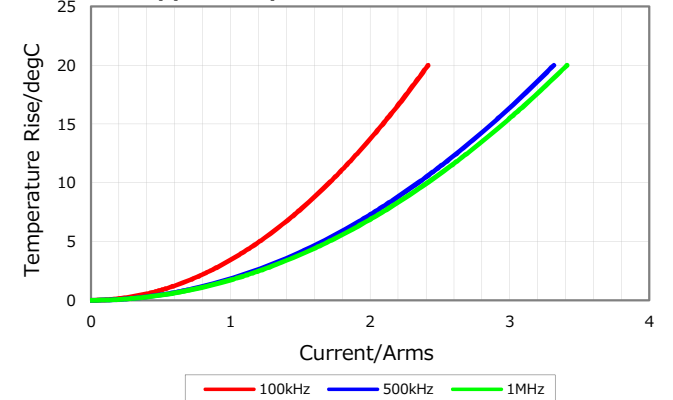
**DC Bias Characteristic**



**Temperature Characteristics**



**Ripple Temperature Rise Characteristics**



Characterization Sheet ( Multilayer Ceramic Chip Capacitors )



All specifications are subject to change without notice.

June 28, 2017