

THIS DRAWING IS UNPUBLISHED. RELEASED FOR PUBLICATION AUG ,2005.

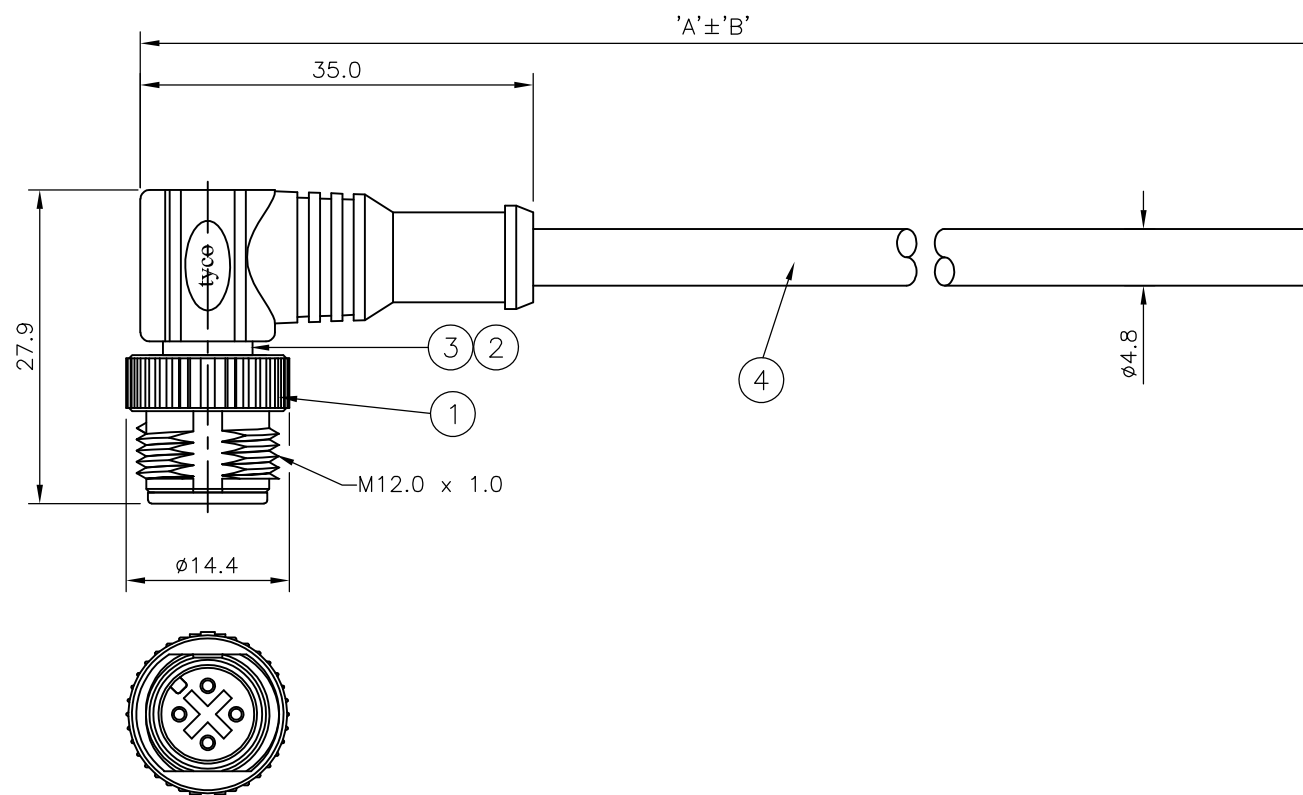
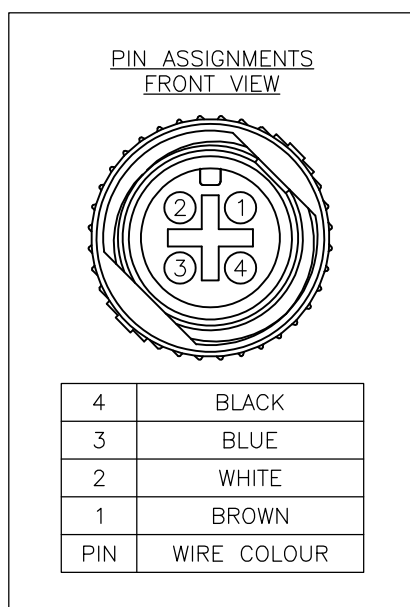
© COPYRIGHT 2005 BY TYCO ELECTRONICS CORPORATION. ALL RIGHTS RESERVED.

| LOC | DIST | REVISIONS | | | | | |
|-----|------|-----------|-----|---------------|----------|-----|------|
| E | B | P | LTR | DESCRIPTION | DATE | DWN | APVD |
| | | B | | ECR-07-011430 | 14/05/07 | AM | FWK |

NOTES:

- ELECTRICAL DATA: CONTACT RESISTANCE: 10 mOhm MAX
INSULATION RESISTANCE: 100 MOhm MIN at 500VDC
CURRENT RATING: 5 AMPS
BREAKDOWN VOLTAGE: 500 VAC MIN PER MINUTE
- ENVIRONMENTAL: OPERATING TEMPERATURE: -25°C TO +90°C
SEALING REQUIREMENTS: IP67
- PROD SPEC: 108-3641
- PACKAGING: 107-3334
- FOR TECHNICAL DATA REFER TO YOUR LOCAL TYCO ELECTRONICS SALES OFFICE
- ALL DIMENSIONS ARE NOMINAL FOR REFERENCE ONLY UNLESS OTHERWISE STATED

| ITEM | DESCRIPTION | MATERIAL | FINISH/COLOUR | QTY |
|------|--|---------------|--------------------------------|-----|
| 1 | SCREW NUT | ZINC DIE CAST | 2.5µm NICKEL PLATED | 1 |
| 2 | CONNECTOR BODY | POLYURETHANE | BLACK | 1 |
| 3 | PIN CONTACT | BRASS | 0.15µm GOLD PLATED OVER NICKEL | 4 |
| 4 | 4 CORE CABLE (CORES 0.34 mm ²) | PU JACKET | BLACK | 1 |



| | | | |
|-------|---------|---|-------------|
| 10000 | 500mm | M12 RIGHT ANGLED MALE CONNECTOR 10.0m CABLE | 1838251-5 |
| 7000 | 350mm | M12 RIGHT ANGLED MALE CONNECTOR 7.0m CABLE | 1838251-4 |
| 5000 | 250mm | M12 RIGHT ANGLED MALE CONNECTOR 5.0m CABLE | 1838251-3 |
| 3000 | 150mm | M12 RIGHT ANGLED MALE CONNECTOR 3.0m CABLE | 1838251-2 |
| 2000 | 100mm | M12 RIGHT ANGLED MALE CONNECTOR 2.0m CABLE | 1838251-1 |
| DIM A | TOL 'B' | DESCRIPTION | PART NUMBER |

| | | | | |
|---|--|-----------------------------------|---|--------------------|
| THIS DRAWING IS A CONTROLLED DOCUMENT. | | DWN H M RAGHAVENDRA 22AUG05 | Tyco Electronics Corporation Bideford, UK, EX39 4HE | |
| DIMENSIONS: mm | | CHK F.WHEELER-KING 07AUG06 | NAME M12 RIGHT ANGLED MALE CONNECTOR 4 POSITION, PU CABLE | |
| TOLERANCES UNLESS OTHERWISE SPECIFIED: | | APVD F.WHEELER-KING 07AUG06 | PRODUCT SPEC | |
| 0 PLC ± - 1 PLC ± - 2 PLC ± - 3 PLC ± - 4 PLC ± - ANGLES ± - | | APPLICATION SPEC | | |
| MATERIAL | | WEIGHT | SIZE A3 | CAGE CODE 00779 |
| | | DRAWING NO G-1838251 | | RESTRICTED TO |
| CUSTOMER DRAWING | | | SCALE NTS | SHEET 1 OF 1 |
| | | | REV B | |