

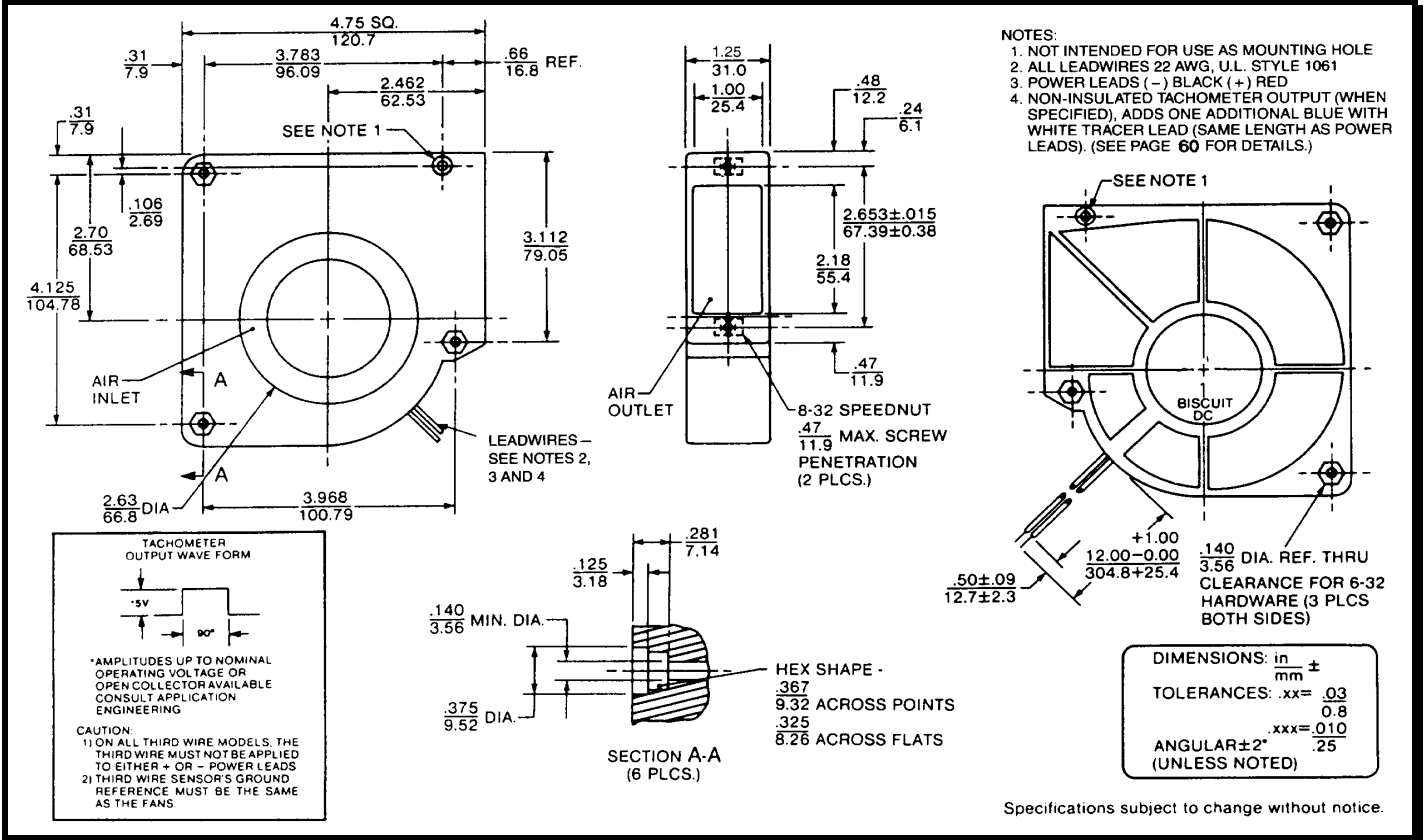
SPECIFICATIONS



Model Number: BD24B7
 Part Number: 19030622A

August 1, 2002

Mechanical Drawing:



Motor:

Nominal Voltage = 24 Vdc
 Operating Voltage Range = 18 - 28 vdc
 Nominal Running Current = 0.48 amps
 Locked Rotor Current = 0.95 amps
 Running Power = 11.5 watts
 Average Speed = 3100 rpm
 Bearings = Ball
 Air Flow = 25 cfm
 Noise = 51.2 dBA

Construction:

Venturi: Plastic, Black, UL94V-0
 Propeller: Plastic, Black, UL94V-0

Agency Approvals:

CE, UL

Life Expectancy:

This fan is designed for continuous duty life of 78,000 hours at 40°C

Additional Features:

Brushless DC Motor
 Polarity Protected
 Locked Rotor Protection
 Automatic Restart Capability
 Operating Temperature Range: -10°C to +70°C
 Storage Temperature: -40°C to +85°C

Tachometer:

Output: 5 VDC, TTL Compatible
 I_c: 10 mA Typical
 Pulses per Revolution: 2
 Isolated: No

Termination:

12.0" Harness, AWG 22, UL1061 Style

Red - Fan Power
 Black - Fan Return
 Blue/White - Tachometer Output