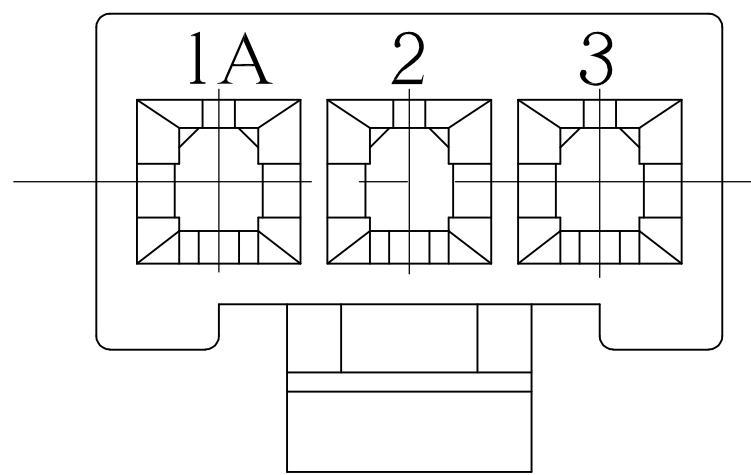
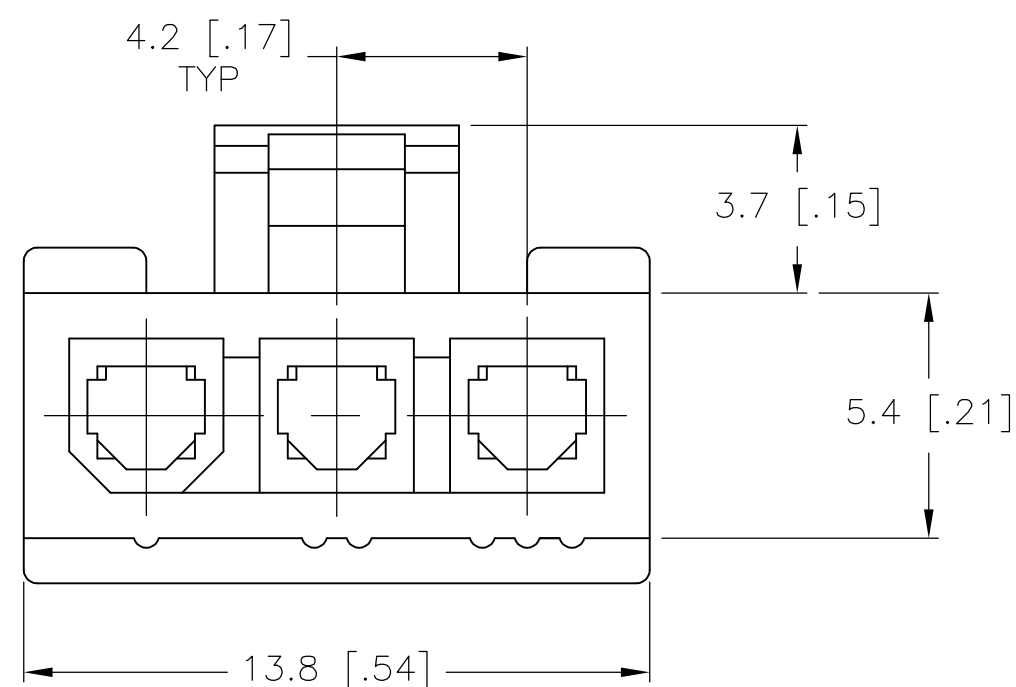
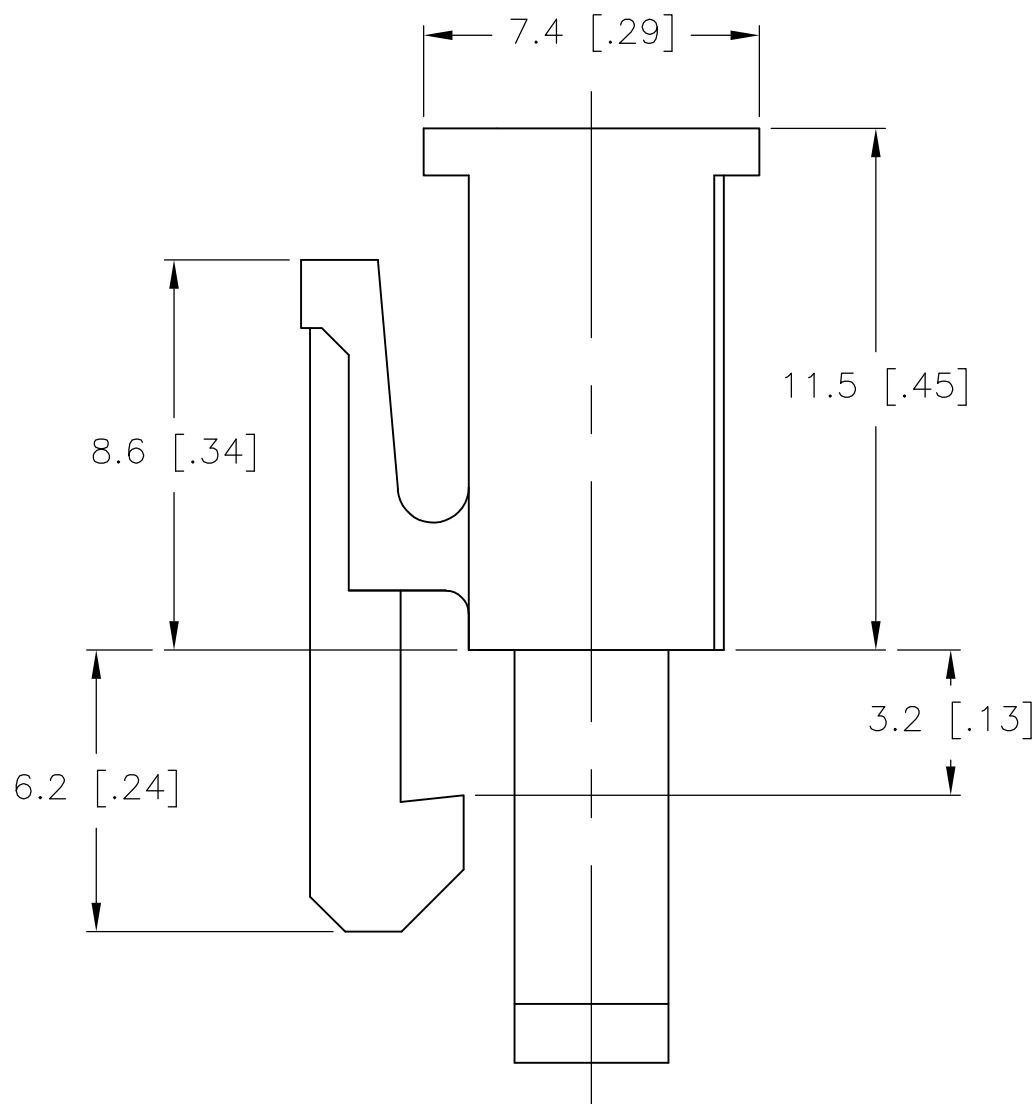
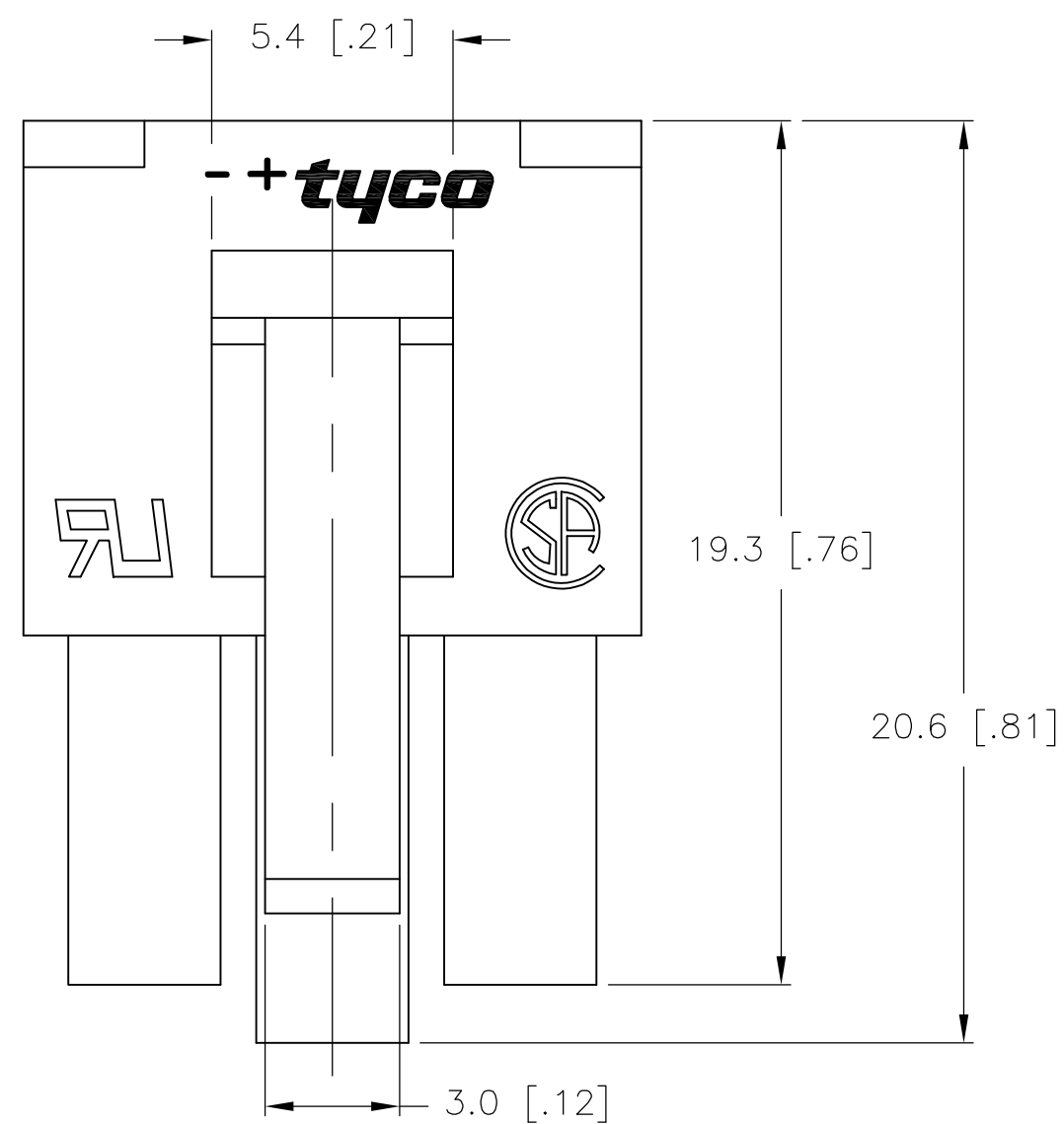


THIS DRAWING IS UNPUBLISHED. RELEASED FOR PUBLICATION
 © COPYRIGHT BY TYCO ELECTRONICS CORPORATION. ALL RIGHTS RESERVED.

LOC	DIST	REVISIONS			
P	LTR	DESCRIPTION	DATE	DWN	APVD
CM	00	A	WR--08-15	10APR2008	KW CC



1. GLOW WIRE APPROVED, CONTACT TYCO ELECTRONICS ENGINEERING FOR SPECIFICATION.



METRIC

2029112-3
PART NUMBER

THIS DRAWING IS A CONTROLLED DOCUMENT.		DWN K. WHITAKER 10APR2008	Tyco Electronics Corporation Harrisburg, PA 17105-3608	
DIMENSIONS: mm [INCHES]		CHK C. CASH 10APR2008	NAME RECEPTACLE, 3 CIRCUIT, VAL-U-LOK(TM)	
TOLERANCES UNLESS OTHERWISE SPECIFIED: 0 PLC ± 1 PLC ± 0.2 [00] 2 PLC ± 3 PLC ± 4 PLC ± ANGLES ±		APVD C. CASH 10APR2008	APPLICATION SPEC	
MATERIAL NYLON 66 UL94V-2		FINISH	WEIGHT	RESTRICTED TO
CUSTOMER DRAWING		SCALE 6:1	SIZE A2	CAGE CODE 00779
		DRAWING NO C=2029112	SHEET 1 of 1	
		REV A		