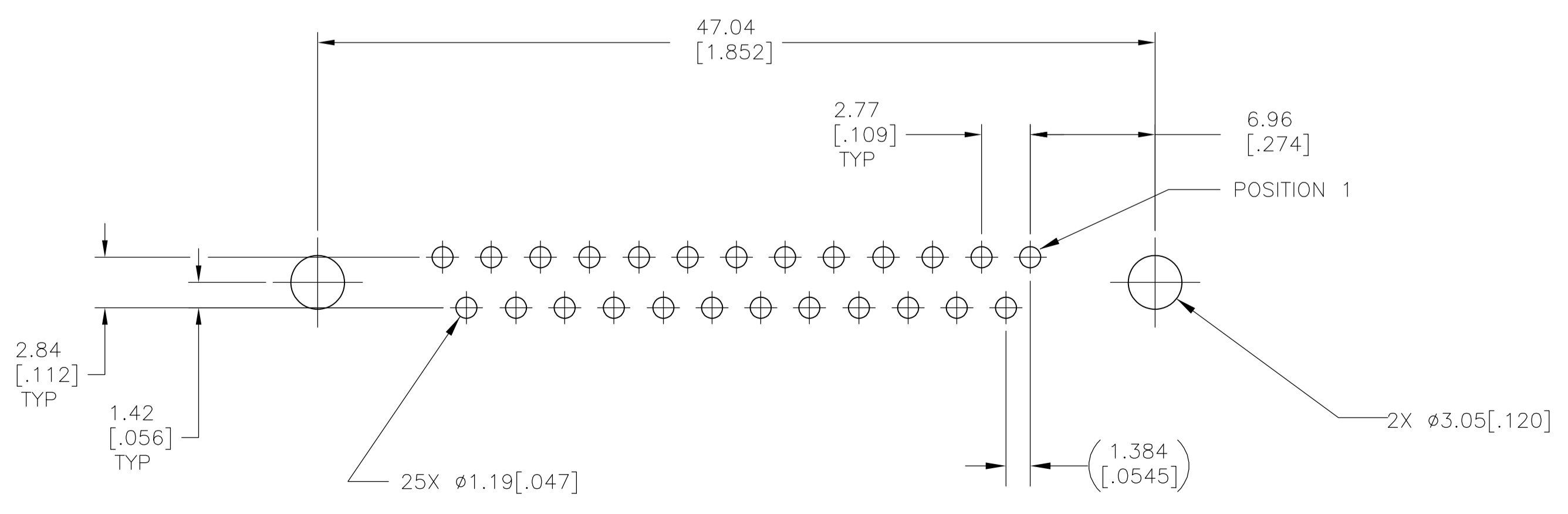
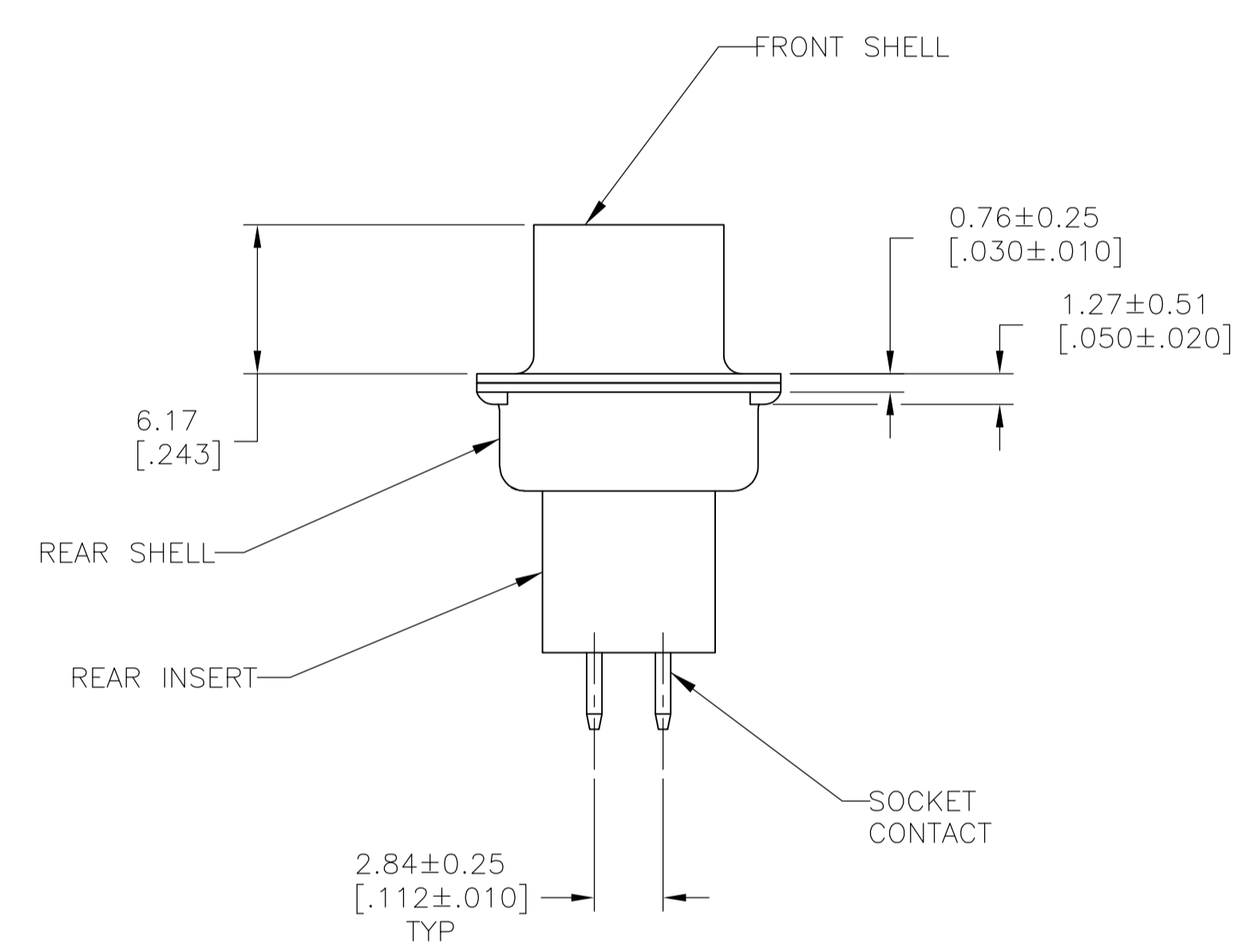
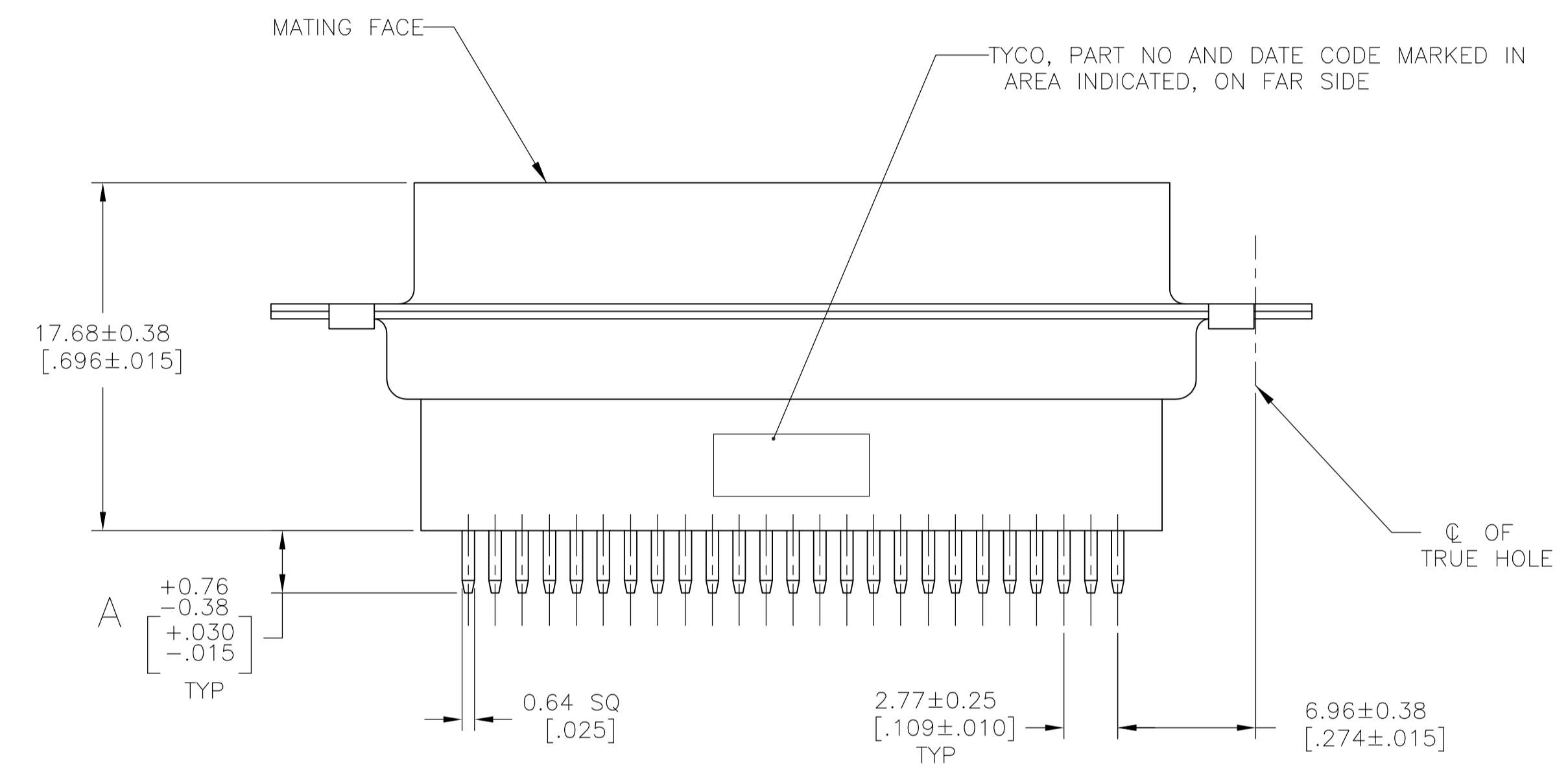
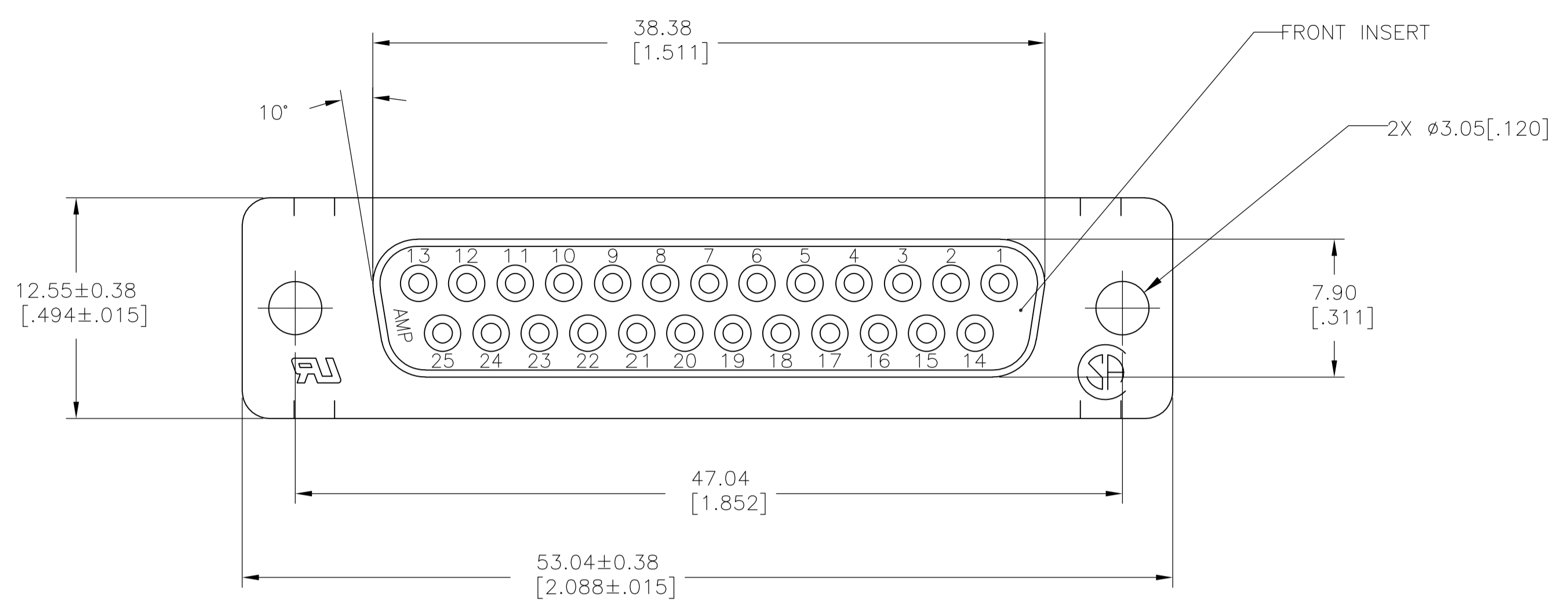


LOC		DIST		REVISIONS			
GP	00	REV	DATE	BY	APPV	DATE	BY
D		REVISED PER ECO-14-011808	11AUG2014	AP	SB		



RECOMMENDED PC BOARD MOUNTING DIMENSIONS

- 1 MOLDDED PARTS: GLASS-FILLED PBT OR GLASS-FILLED NYLON, UL94V-0 RATED. COLOR: BLACK. CONTACTS: PHOSPHOR BRONZE. SHELLS: CARBON STEEL.
- 2 SHELLS: 5.08µm [.000200] MIN ZINC WITH YELLOW CHROMATE COATING. CONTACTS: GOLD PLATED FOR LENGTH OF 3.81 [.150] MIN FROM MATING END, 0.76µm [.000030] MIN GOLD IN MATED AREA, 2.54µm [.000100] MIN TIN ON SOLDER END, BOTH OVER 1.27µm [.000050] MIN NICKEL. OR GOLD FLASH OVER PALLADIUM-NICKEL PLATED FOR LENGTH OF 3.81 [.150] MIN FROM MATING END, 0.76µm [.000030] MIN TOTAL IN MATED AREA, 2.54µm [.000100] MIN TIN ON SOLDER END, BOTH OVER 1.27µm [.000050] MIN NICKEL.

4.78 [.188]	5205738-7
10.85 [.427]	5205738-3
3.18 [.125]	5205738-1
A	PART NO

THIS DRAWING IS A CONTROLLED DOCUMENT.		DIN B LATTUCA 07SEPT05	TE Connectivity	
DIMENSIONS: mm [INCHES]		CHK S BOLASH 07SEPT05	NAME RECEPTACLE ASSEMBLY, SIZE 3, 25 POSN, VERTICAL, AMPLIMITE HDP	
TOLERANCES UNLESS OTHERWISE SPECIFIED:		APPV M WALMSLEY 07SEPT05	PRODUCT SPEC 108-40025	
0 PLC ± -		APPLICATION SPEC 114-40013		
1 PLC ± -		SIZE CAGE CODE DRAWING NO		
2 PLC ± 0.13 [.005]		RESTRICTED TO		
3 PLC ± -		A1 00779 C=5205738		
4 PLC ± -		WEIGHT		
ANGLES ± °		CUSTOMER DRAWING		
MATERIAL 1		SCALE NTS SHEET 1 OF 1 REV D		
FINISH 2				