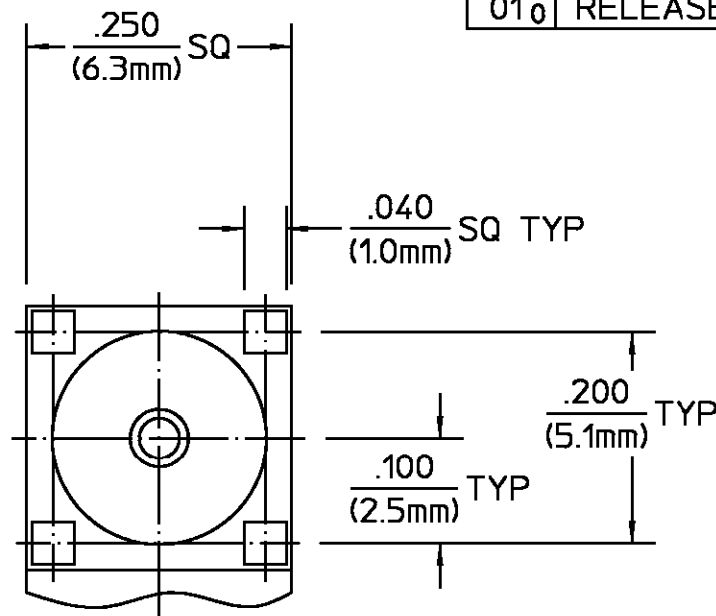
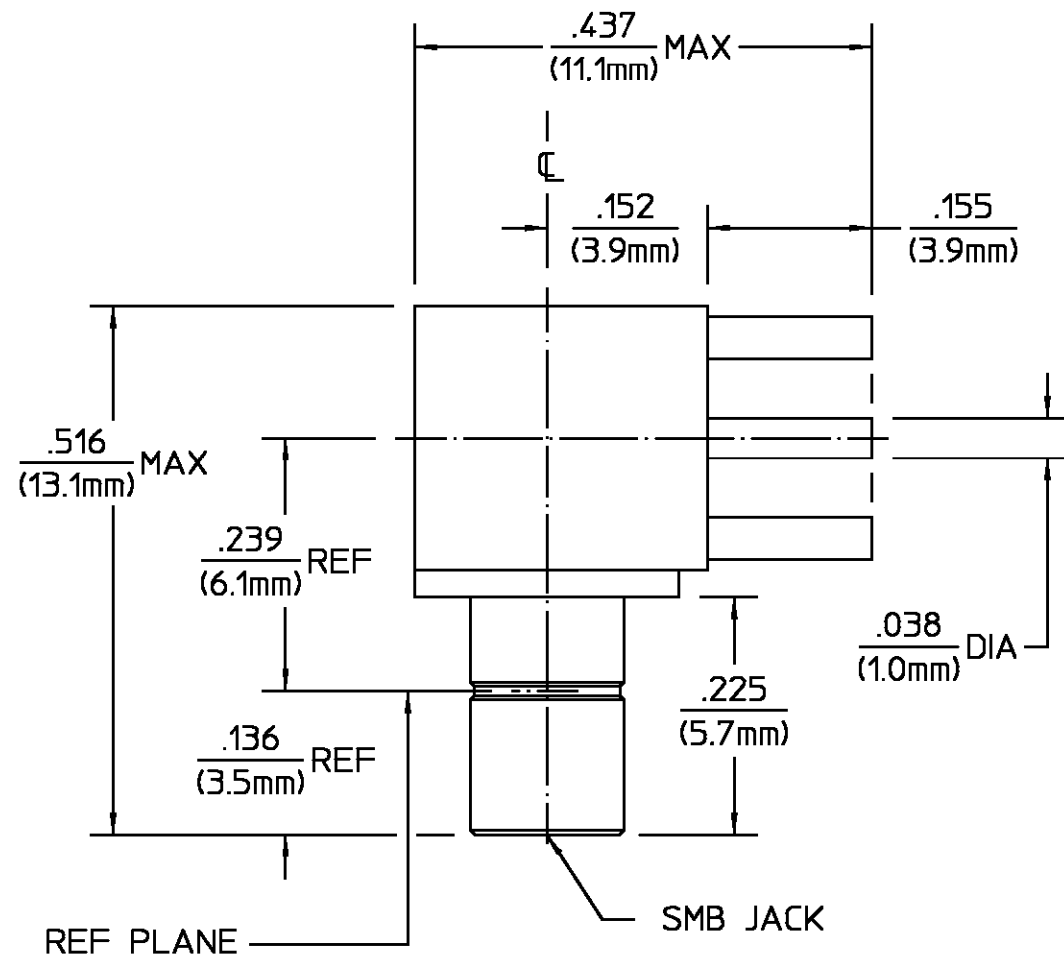


REVISIONS			
REV	DESCRIPTION	DATE	APPROVED
010	RELEASED	4/14/95	<i>D. Cornelli</i>



DESIGN CONTROL REQUIRED

HOUSING CAP	BRASS PER ASTM-B-16 HALF HARD	GOLD PLATE PER MIL-G-45204
DIELECTRIC	TFE FLUOROCARBON PER ASTM-D-1457	N/A
CENTER CONTACT CONTACT EXT.	BERYLLIUM COPPER PER ASTM B 196, ALLOY C17300, CONDITION H	GOLD PLATE PER MIL-G-45204
COMPONENT	MATERIAL	FINISH

UNLESS OTHERWISE SPECIFIED
DIMENSIONS ARE IN INCHES
TOLERANCE ON

FRAC.	DEC.	ANGLES
± 1/64	± .005	± 1°

DRAWN BY *D. Cornelli* DATE 4/14/95
CHECKED BY
APP'D BY *D. Cornelli* 4/14/95

AMP
AMP Incorporated
140 Fourth Avenue
Waltham, MA 02451-7599

These drawings and specifications are the property of M/A-COM incorporated and shall not be reproduced or copied or used in whole or in part as the basis for the manufacture or sale of item(s) without written permission.

USE ASSY PROCEDURE

NO. AP. N/A

TITLE SMB RIGHT ANGLE PRINTED
CIRCUIT BOARD JACK RECEPTACLE - STRAIGHT TERMINAL

SIZE B	CODE IDENT NO. 26805	1250-1888-09	REV 010
-----------	-------------------------	--------------	------------

SCALE 6:1

SHEET 1 OF 1

NOTES:

1. CAPTURED CENTER CONTACT