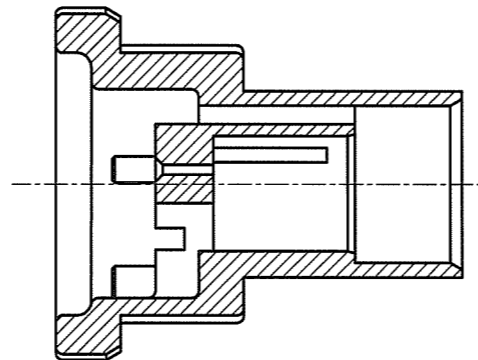
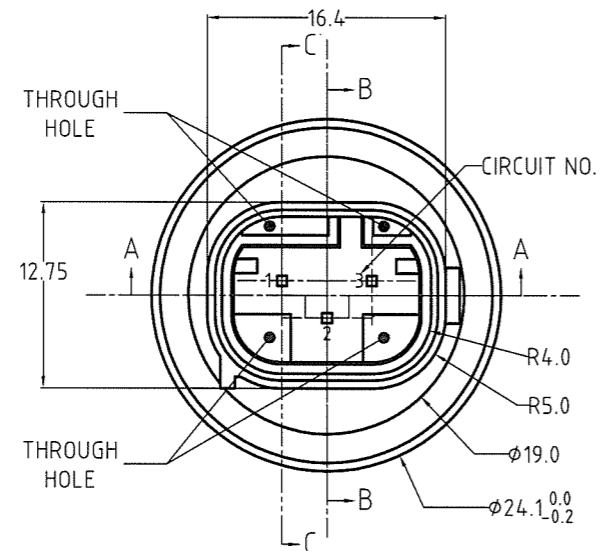
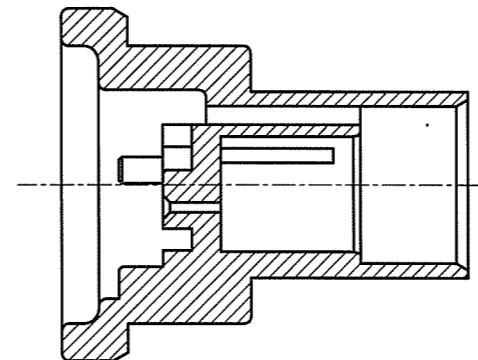


THIS DRAWING IS UNPUBLISHED. RELEASED FOR PUBLICATION  
 © COPYRIGHT BY TYCO ELECTRONICS CORPORATION. ALL RIGHTS RESERVED.

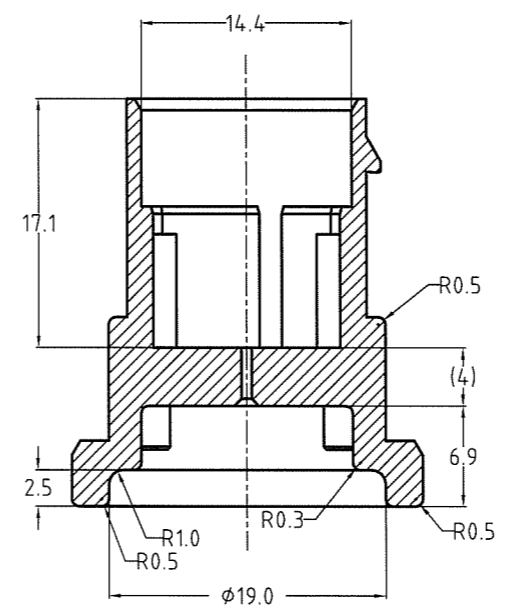
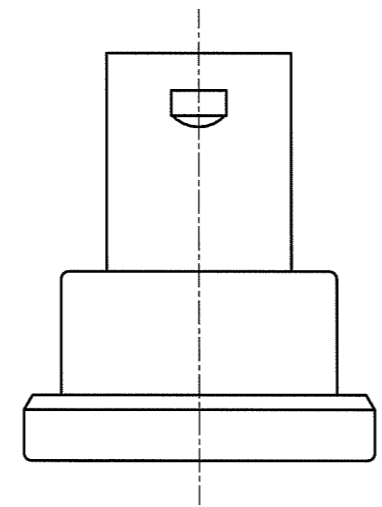
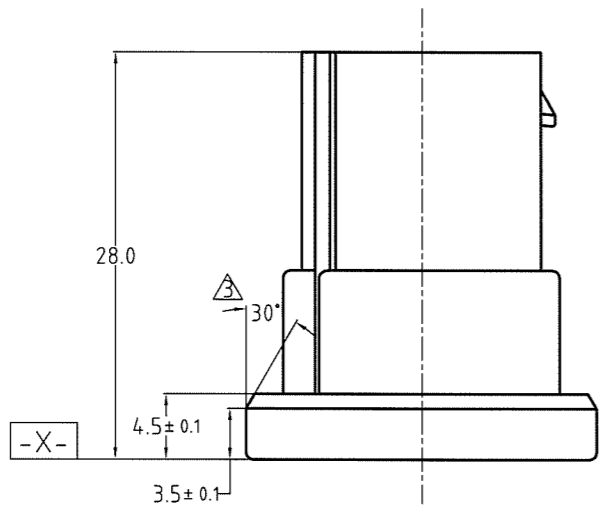
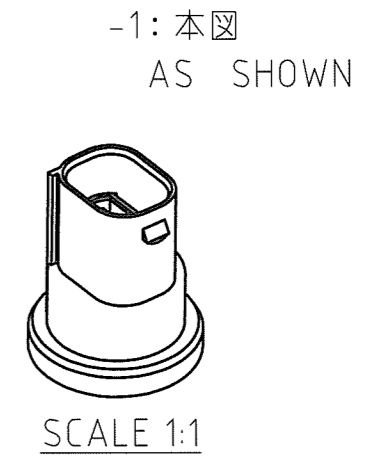
LOC	DIST	REVISIONS					
J	-	P	LTR	DESCRIPTION	DATE	DWN	APVD
		L		REDRAWN WITH CHANGE ECR-07-023945	10SEP'07	J.H	S.M



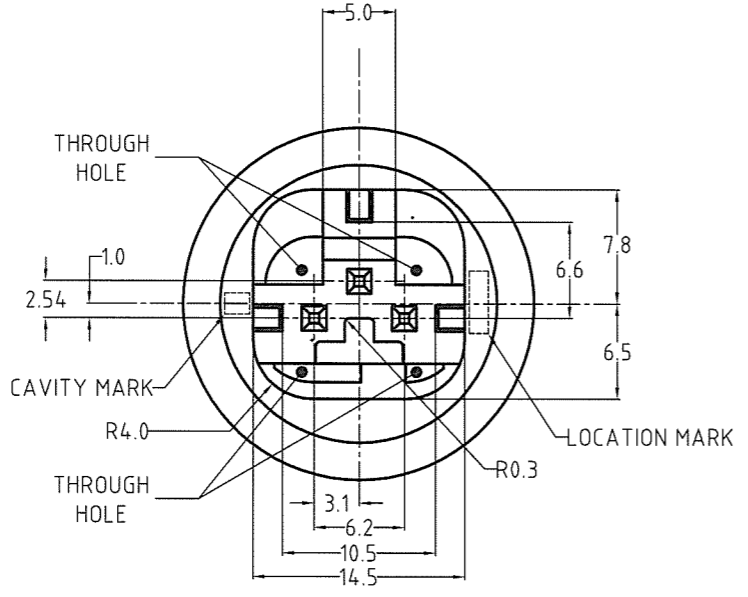
SECTION C-C



SECTION B-B



SECTION A-A



NOTE->  
 1. THE MATING CONNECTOR IS TO USE MQS SOCKET HOUSING P/N 2-967642-1  
 SOCKET CONTACT(GOLD VERSION) P/N 962885-5  
 WIRE SEAL P/N 967067-1  
 2. APPLICABLE TERMINAL INSERT: P/N 1473837-1  
 ③ MEASURE 30° POINT AS DATUM -X-

注記>  
 1. 嵌合相手コネクタはMQS ソケット・ハウジング 型番: 2-967642-1  
 ソケット端子(金めっきタイプ) 型番: 962885-5  
 ゴム栓 型番: 967067-1  
 2. 適用ターミナル・インサート 型番: 1473837-1  
 ③ 基準面を -X- として30°部を測定の事

THIS DRAWING IS A CONTROLLED DOCUMENT.		DWN Y.SUEMITSU 18JUL'01	Tyco Electronics Corporation Kawasaki, Japan	
DIMENSIONS: 単位: 耗 mm	TOLERANCES UNLESS OTHERWISE SPECIFIED: 一般公差	CHK Y.KASHIWA 18JUL'01	NAME 名称	
	$< 6 \pm 0.1$ $6 \leq < 30 \pm 0.2$ $30 \leq < 100 \pm 0.3$ $\pm$ $\pm$	APVD Y.KASHIWA 18JUL'01	PRODUCT SPEC 製品規格 108-5789	
	ANGLES FINISH 仕上	$\pm 1'$	APPLICATION SPEC 取付適用規格	SIZE A3
MATERIAL 材料 PBT(GLASS FILLED 30%) UL94-V0		WEIGHT -	CAGE CODE -	DRAWING NO 番号 1473836
CUSTOMER DRAWING			RESTRICTED TO -	SCALE 尺度 2:1
			SHEET 1 of 1	REV L