

Customer Information Sheet

DRAWING No.: M20-876XXXXR

SHEET 3 OF 4

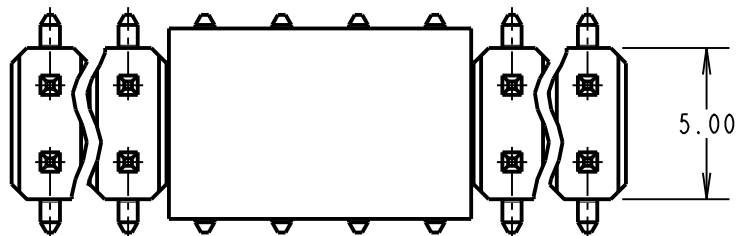
IF IN DOUBT - ASK

Ⓒ

NOT TO SCALE

THIRD ANGLE PROJECTION

ALL DIMENSIONS IN mm



NOTES:

1. FOR 4+4-WAYS AND LESS, CAP LENGTH = 6.00mm.
2. SEE DRAWING M20-876XXXXP FOR PICK AND PLACE VERSION, M20-876XXXX FOR STANDARD PRODUCT.
3. CO-PLANARITY: FLATNESS OF SMT TAILS MUST NOT EXCEED VALUES GIVEN IN TABLE.
4. ALL TOLERANCES ARE ± 0.15 UNLESS OTHERWISE STATED.

SPECIFICATION:

MATERIAL:

MOULDING = NYLON 6T UL94V-0, BLACK
CONTACT = BRASS

FINISH:

42 = SELECTIVE GOLD ON CONTACT AREA,
100% TIN ON TAILS
46 = 100% TIN

ELECTRICAL:

CURRENT RATING = 3A MAX
CONTACT RESISTANCE = 20 m Ω MAX
INSULATION RESISTANCE = 500 M Ω MIN
DIELECTRIC STRENGTH = 1000V AC
VOLTAGE RATING = 250V AC/DC

MECHANICAL:

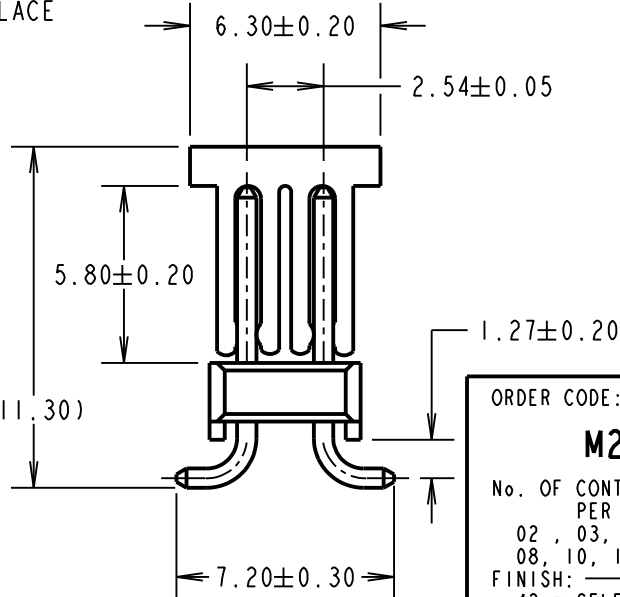
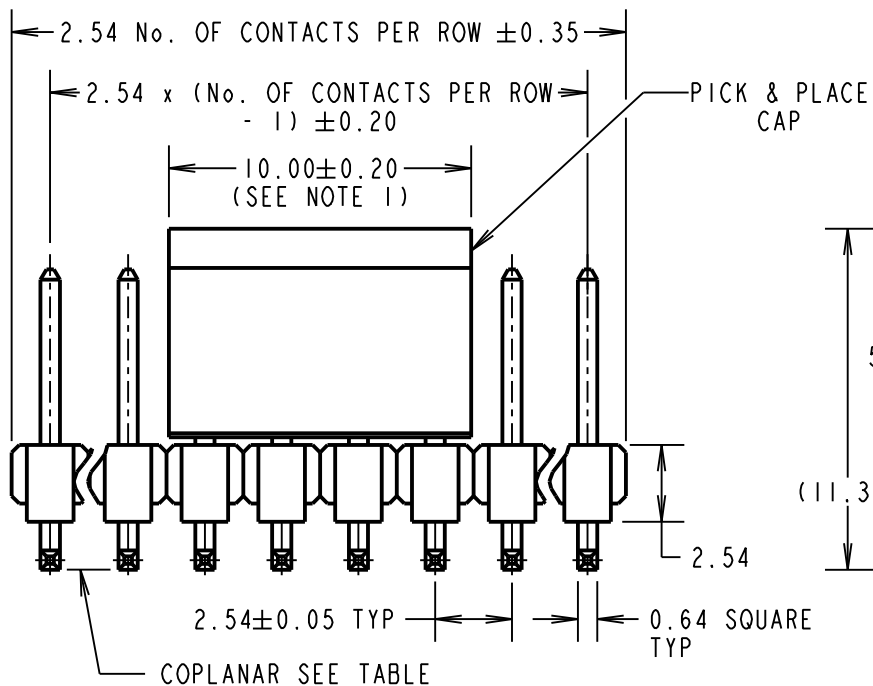
DURABILITY = 50 OPERATIONS (TIN),
300 OPERATIONS (GOLD)

ENVIRONMENTAL:

TEMPERATURE RANGE = -40°C TO +105°C

SOLDERING:

REFLOW TEMP = 260°C FOR 10 SECONDS MAX
MANUAL TEMP = 330°C FOR 3-5 SECONDS
FOR COMPLETE SPECIFICATION, SEE COMPONENT SPECIFICATION COOIXX (LATEST ISSUE)



No OF CONTACTS	COPLANARITY TOLERANCE
2x02 TO 2x12	0.10mm MAX
2x13 TO 2x17	0.15mm MAX

ORDER CODE:

M20-876XXXXR

No. OF CONTACTS PER ROW:
02, 03, 04, 05, 07,
08, 10, 17

FINISH:
42 = SELECTIVE GOLD + 100% TIN
46 = 100% TIN

MS	14	25.11.16	20172
NAME	ISS.	DATE	C/NOTE
APPROVED: M.PERREN			
CHECKED: S.BENNETT			
DRAWN: W. J. BOURNE			
CUSTOMER REF.:			
ASSEMBLY DRG:			

HARWIN

www.harwin.com
technical@harwin.com

THIS DRAWING AND ANY INFORMATION OR DESCRIPTIVE MATTER SET OUT HEREON ARE CONFIDENTIAL AND COPYRIGHT PROPERTY OF THE HARWIN GROUP AND MUST NOT BE DISCLOSED, LOANED, COPIED OR USED FOR MANUFACTURING, TENDERING OR FOR ANY OTHER PURPOSE WITHOUT THEIR WRITTEN PERMISSION.

TOLERANCES

~~X. = ± 1 mm~~
~~X.X = ± 0.50 mm~~
~~X.XX = ± 0.10 mm~~
~~X.XXX = ± 0.01 mm~~

ANGLES = $\pm 5^\circ$

UNLESS STATED

MATERIAL:

SEE ABOVE

FINISH: SEE ABOVE

S/AREA: mm²

TITLE: 2.54mm PITCH DIL
SMT PIN HEADER ASSEMBLY
(WITH P/PLACE CAP, T/REEL)

DRAWING NUMBER:
M20-876XXXXR

SHT
3
OF
4

Customer Information Sheet

DRAWING No.: M20-876XXXXR

SHEET 4 OF 4

IF IN DOUBT - ASK

©

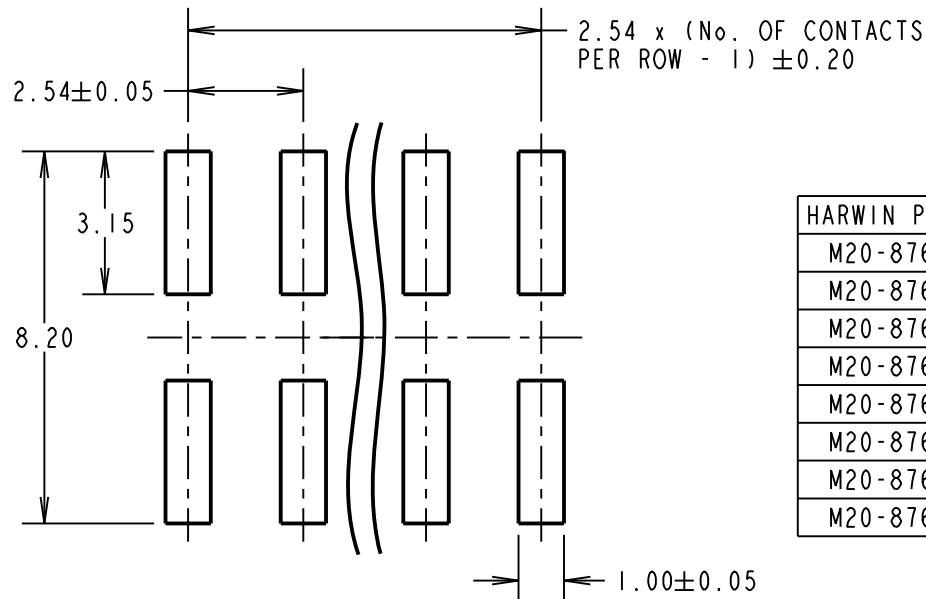
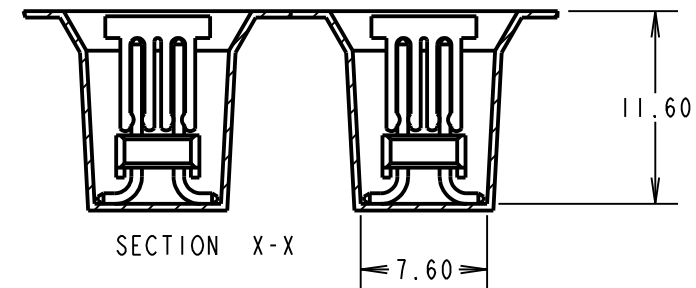
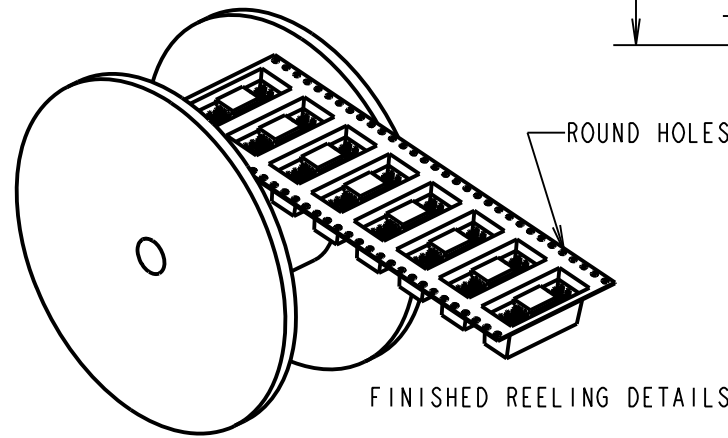
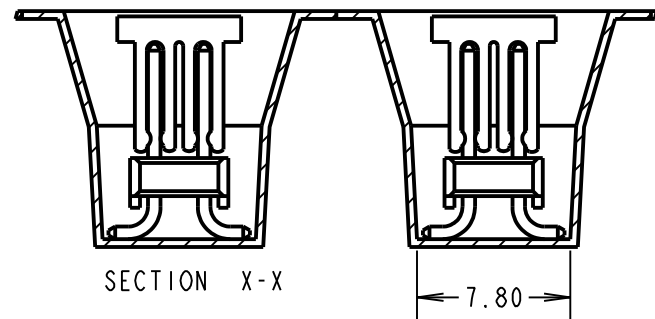
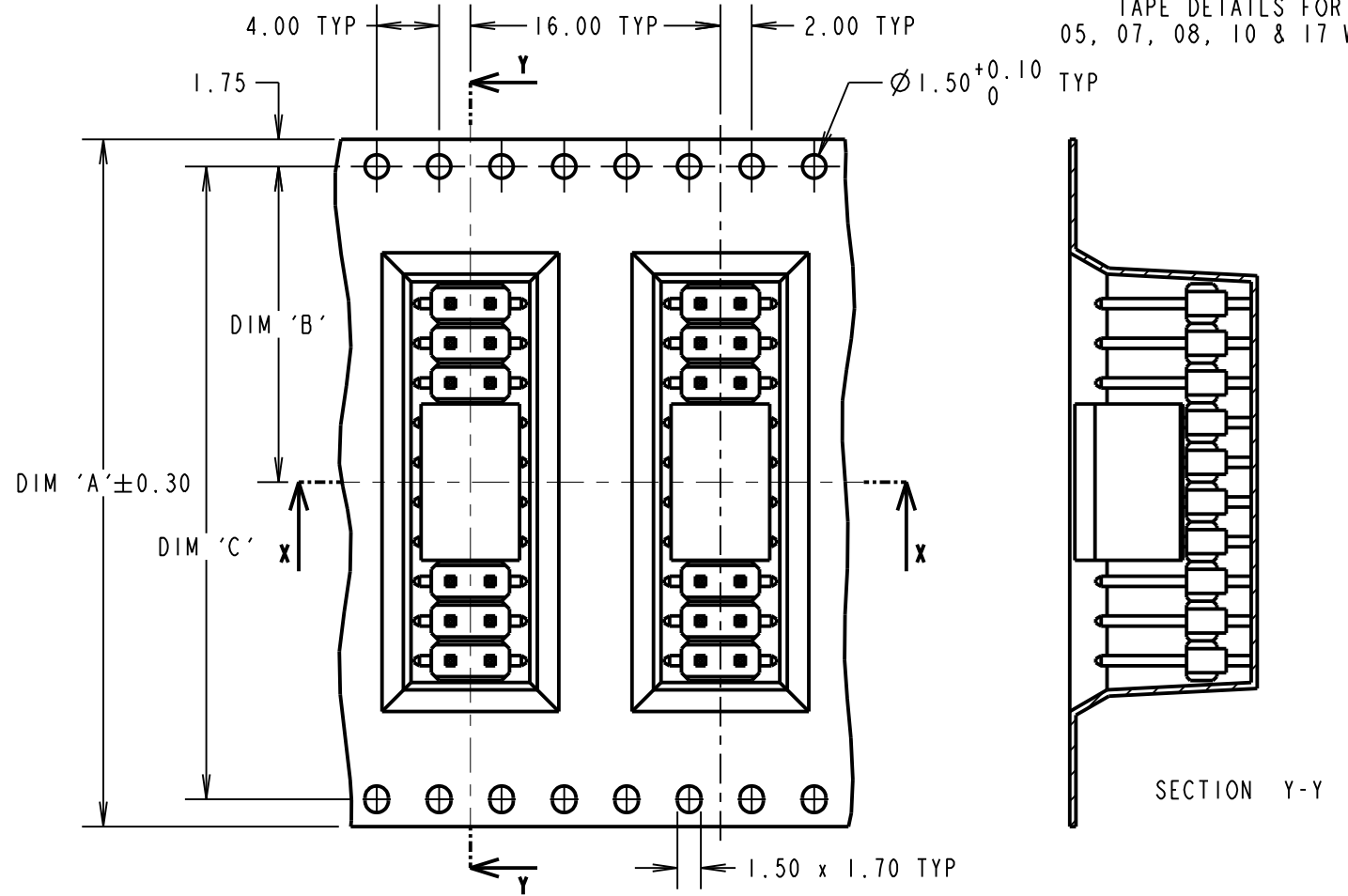
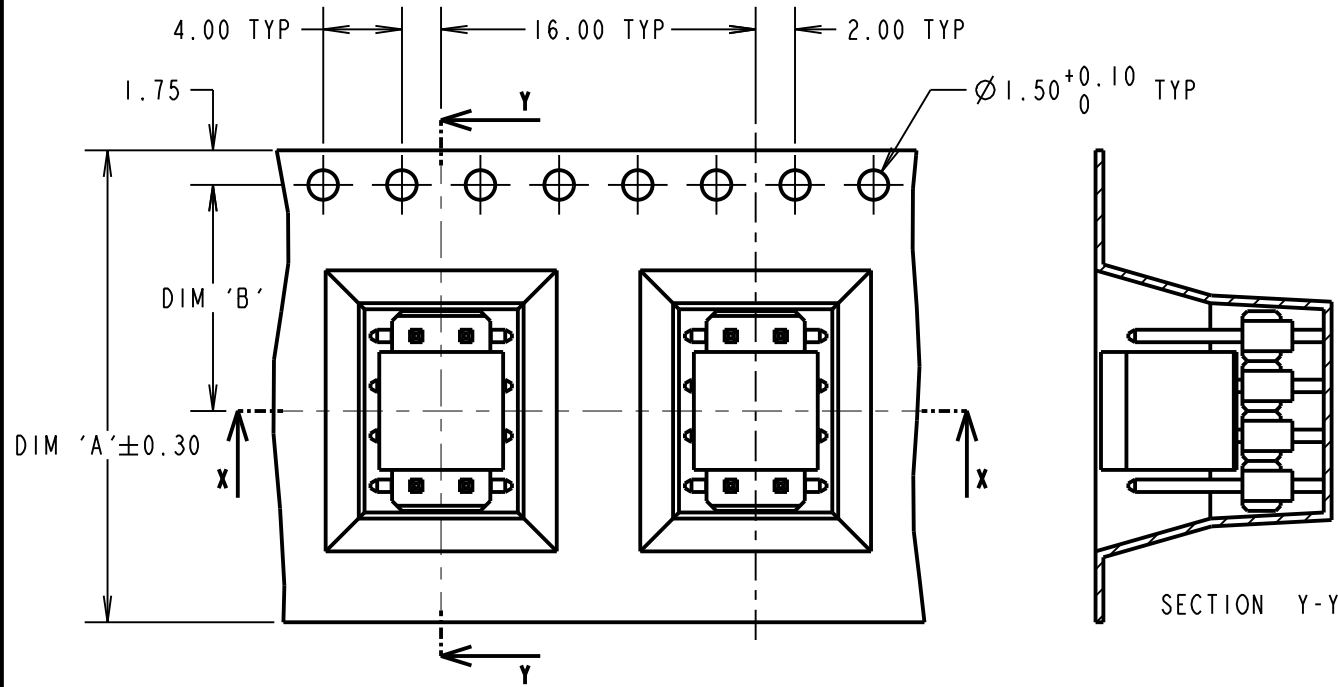
NOT TO SCALE

THIRD ANGLE PROJECTION

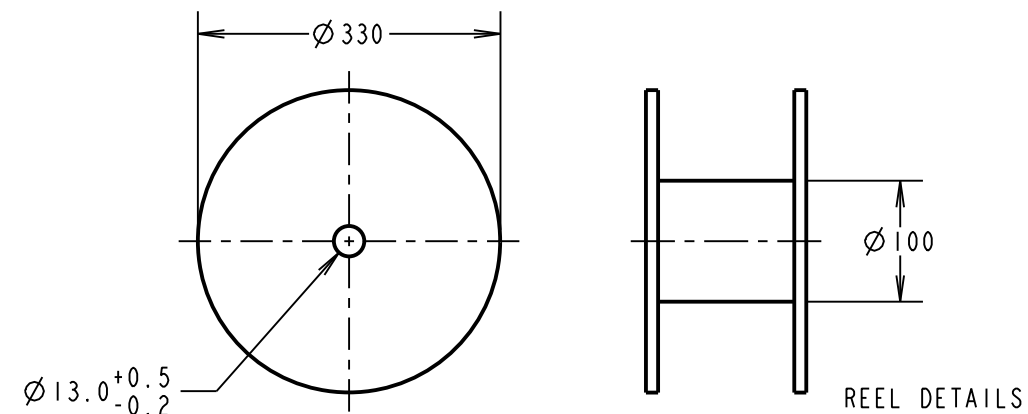
ALL DIMENSIONS IN mm

TAPE DETAILS FOR
02, 03 & 04 WAYS

TAPE DETAILS FOR
05, 07, 08, 10 & 17 WAYS



HARWIN PART No.	DIM 'A'	DIM 'B'	DIM 'C'	DIM 'D'
M20-87602XXR				5.80
M20-87603XXR	24.00	11.50		7.80
M20-87604XXR				10.35
M20-87605XXR				12.90
M20-87607XXR	32.00	28.40	14.20	18.00
M20-87608XXR				20.55
M20-87610XXR	44.00	40.40	20.20	25.65
M20-87617XXR	72.00	68.40	34.20	43.60



MS	14	25.11.16	20172
NAME	ISS.	DATE	C/NOTE
APPROVED: M. PERREN			
CHECKED: S. BENNETT			
DRAWN: W. J. BOURNE			
CUSTOMER REF.:			
ASSEMBLY DRG:			

NOTES:

1. QUANTITY PER REEL = 350 PIECES.
2. FOR CONNECTOR DIMENSIONS AND SPECIFICATIONS, SEE SHEET 3.
3. TAPE & REELING TO BE IN ACCORDANCE WITH ELECTRONIC INDUSTRIES ASSOCIATION EIA-481.

HARWIN
www.harwin.com
technical@harwin.com

THIS DRAWING AND ANY INFORMATION OR DESCRIPTIVE MATTER SET OUT HEREON ARE CONFIDENTIAL AND COPYRIGHT PROPERTY OF THE HARWIN GROUP AND MUST NOT BE DISCLOSED, LOANED, COPIED OR USED FOR MANUFACTURING, TENDERING OR FOR ANY OTHER PURPOSE WITHOUT THEIR WRITTEN PERMISSION.

TOLERANCES
X. = ±1mm
X.X = ±0.25mm
X.XX = ±0.10mm
X.XXX = ±0.01mm
ANGLES = ±5°
UNLESS STATED

MATERIAL: SEE SHEET 3
FINISH: SEE SHEET 3
S/AREA: mm²

TITLE: 2.54mm PITCH DIL SMT PIN HEADER ASSEMBLY (WITH P/PLACE CAP, T/REEL)

DRAWING NUMBER: M20-876XXXXR

SHT 4 OF 4