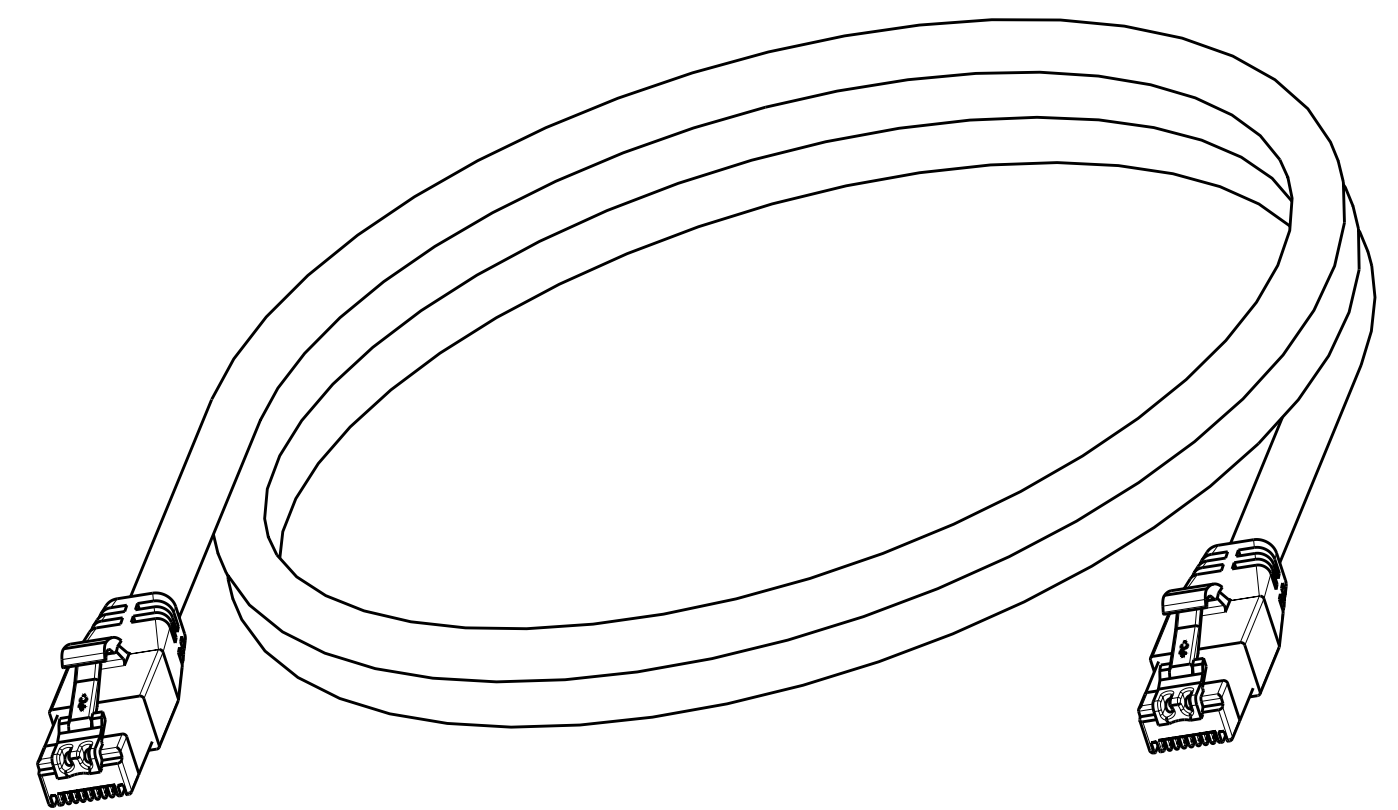
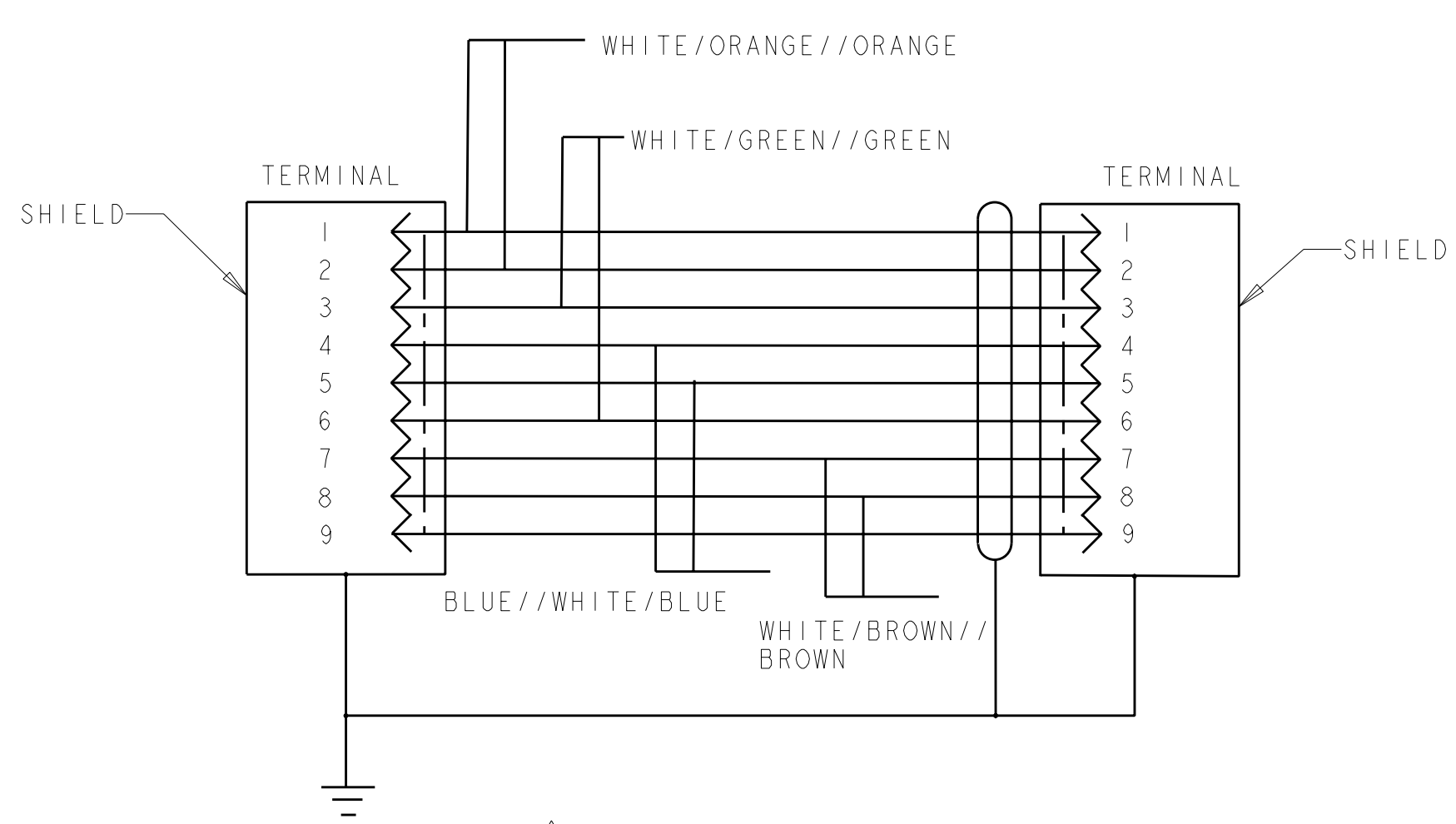
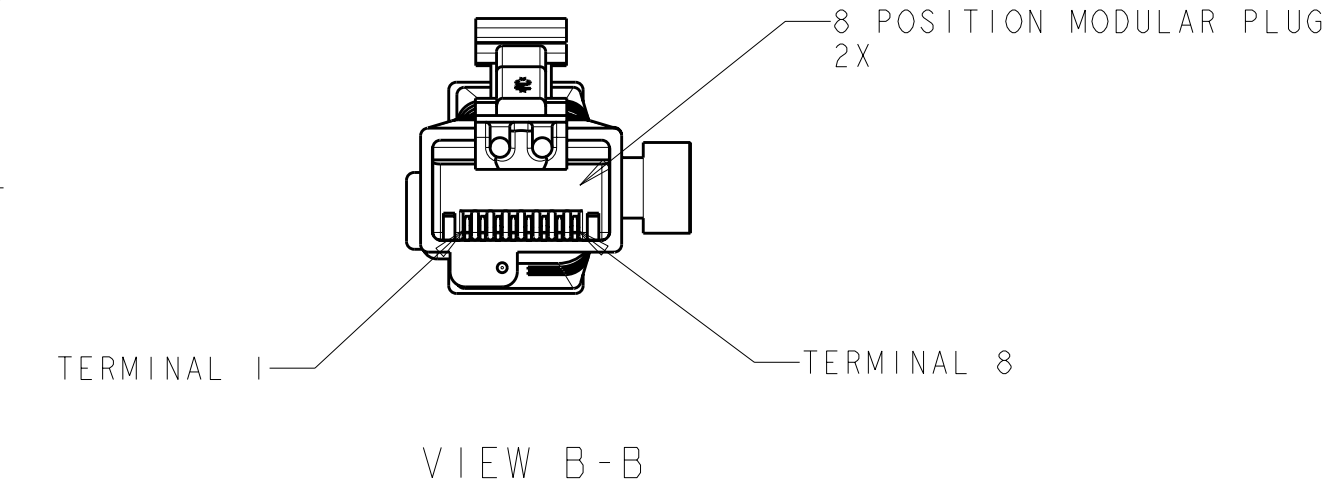
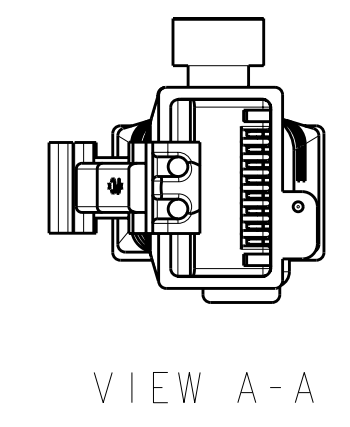
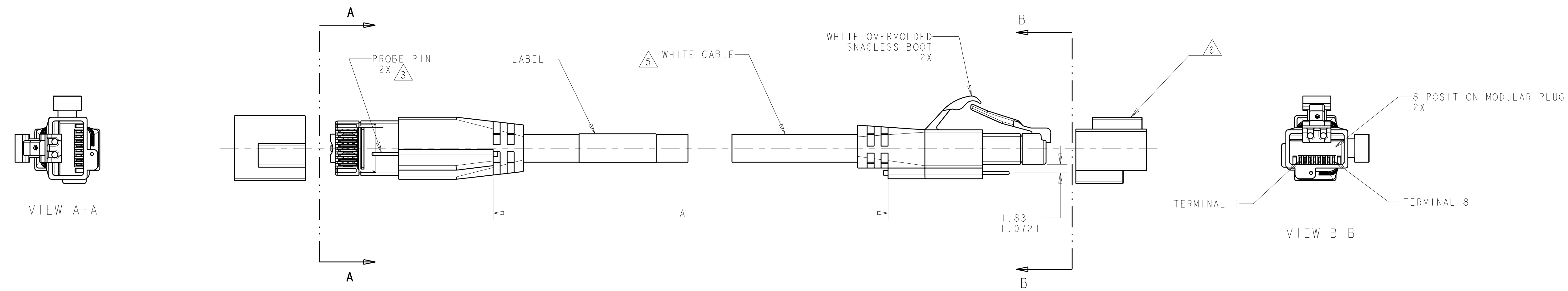


LOC	DIST	REVISIONS			
HM	00	REV	DATE	BY	CHK
		A	NSD05-105	21OCT2005	JM MD
		B	REV; ECO-07-005781	19MAR2007	GG JC
		C	REV ECO-10-008531	23APR2010	LH DC



- 1 CABLE ASSEMBLY SHALL BE WIRED PER WIRING DIAGRAM.
- 2. FINAL ASSEMBLY SHALL BE TIA 568C.2 CAT. 6A COMPLIANT.
- 3 PROBE PINS ARE CONNECTED BY 9TH WIRE IN CABLE.
- 4 DIMENSIONS ARE MAXIMUM.
- 5 CABLE OUTSIDE DIAMETER IS 7.1 MM NOMINAL AND FOR REFERENCE ONLY.
- 6 PROTECTIVE CAPS TO BE REMOVED PRIOR TO MATING WITH MODULAR JACK, SHIPPED WITH CAPS INSTALLED.



35	10922.0 [430.00]	3-1499740-5
25	7874.0 [310.00]	2-1499740-5
16	5130.8 [202.00]	1-1499740-6
14	4521.2 [178.00]	1-1499740-4
10	3251.2 [128.00]	1-1499740-0
9	2895.6 [114.00]	1499740-9
7	2286.0 [90.00]	1499740-7
5	1676.4 [66.00]	1499740-5
4	1371.6 [54.00]	1499740-4
3	1066.8 [42.00]	1499740-3
2	762.0 [30.00]	1499740-2
FEET, REF		PART NO.

DIMENSIONS: MM [INCH]		TOLERANCES UNLESS OTHERWISE SPECIFIED: 9 PLC ± .4 5 PLC ± .3 4 PLC ± .2 ANGLES ± .5		DWN J MCNEAL 21OCT2005 CHK M DELPHIAS 21OCT2005 APVD M DELPHIAS 21OCT2005		Tyco Electronics Harrisburg, Pa., 17105-3608	
MATERIAL: - FINISH: -		PRODUCT SPEC: - APPLICATION SPEC: - WEIGHT: -		NAME: PATCH CORD, AMPTRAC, CAT6A PIMF SHIELDED, CM, WHITE SIZE: A1 CAGE CODE: 00779 DRAWING NO: C-1499740		RESTRICTED TO: - SCALE: 1:1 SHEET: 1 OF 1 REV: C	
CUSTOMER DRAWING							