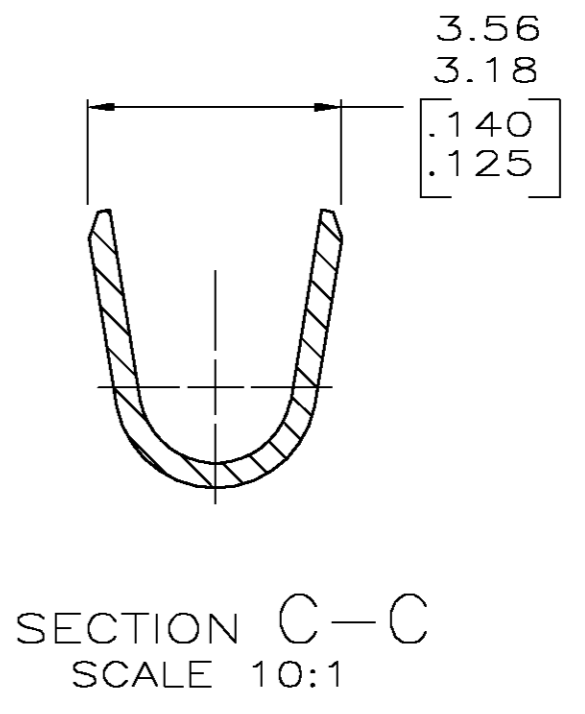
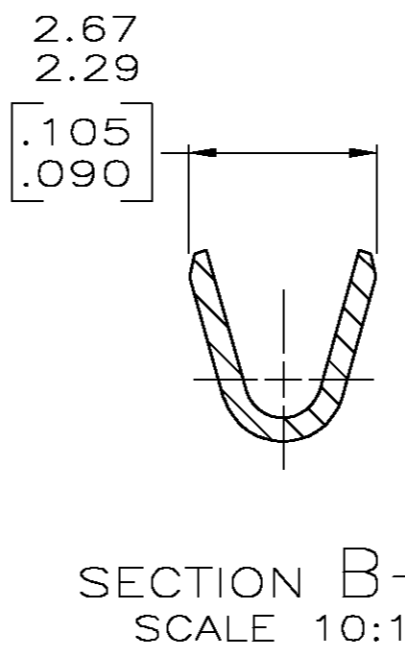
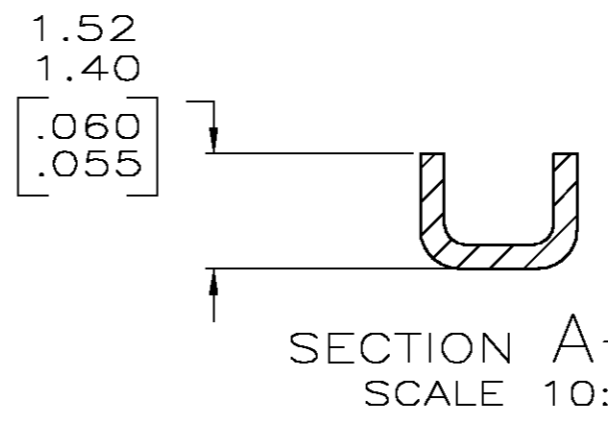
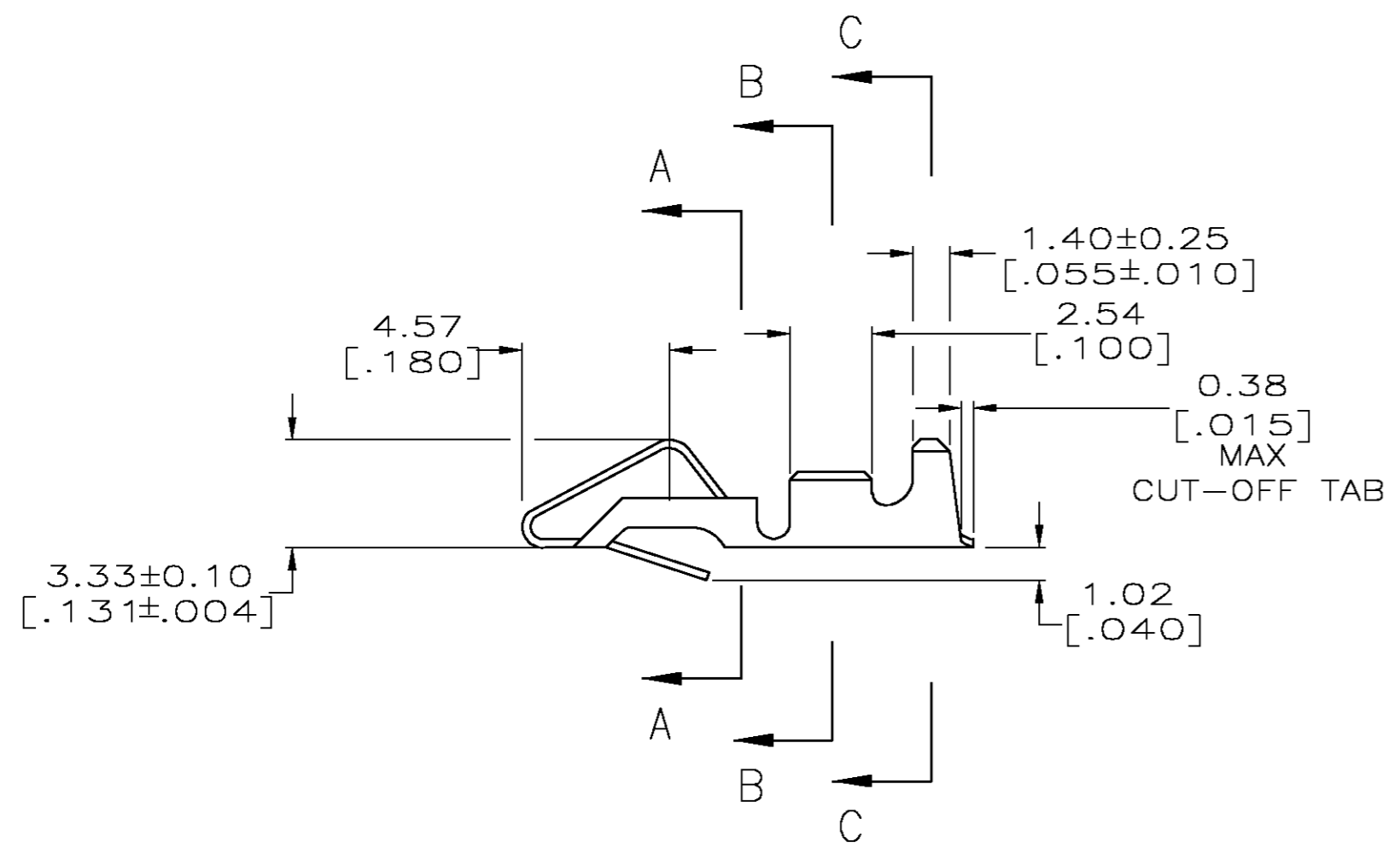
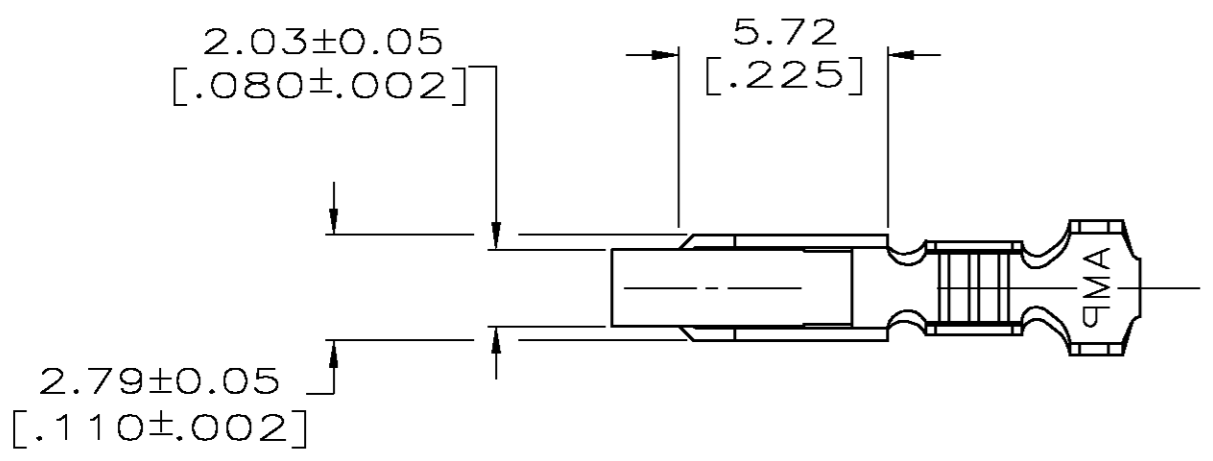


THIS DRAWING IS UNPUBLISHED. RELEASED FOR PUBLICATION  
 © COPYRIGHT BY TYCO ELECTRONICS CORPORATION. ALL RIGHTS RESERVED.

LOC	DIST	REVISIONS			
P	LTR	DESCRIPTION	DATE	DWN	APVD
CM	00	C	REV PER ECN 0G3B-03B3-03	21AUG03	SC JE

- ① 0.00203 [.000080] MIN BRIGHT TIN-LEAD OVER  
0.00127 [.000050] MIN NICKEL.
- 2. WIRE RANGE: 0.2-0.9mm<sup>2</sup> (24-18 AWG).  
INSULATION RANGE: 2.79 [.110] DIA MAX.
- 3. DIMENSIONS IN BRACKETS ARE IN INCHES.
- ④ 0.00203 [.000080] MIN BRIGHT TIN OVER  
0.00127 [.000050] MIN NICKEL.



**METRIC**

④	3-640707-1
①	640707-1
FINISH	PART NO

THIS DRAWING IS A CONTROLLED DOCUMENT.		DWN S. CARPENTER 21AUG2003	Tyco Electronics Corporation Harrisburg, PA 17105	
DIMENSIONS: INCHES		CHK J. ELLIS 21AUG2003	RECEPTACLE, SL-156, LOOSE PIECE	
TOLERANCES UNLESS OTHERWISE SPECIFIED:		APVD J. ELLIS 21AUG2003	SIZE A2	CAGE CODE 00779
0 PLC ±	1 PLC ±	PRODUCT SPEC	DRAWING NO C=640707	RESTRICTED TO -
2 PLC ± 0.13 [.005]	3 PLC ±	APPLICATION SPEC	SCALE 5:1	SHEET 1 OF 1
4 PLC ±	ANGLES ±	WEIGHT	CUSTOMER DRAWING	REV C
MATERIAL 0.33 [.013] BRASS	FINISH SEE TABLE			